



Little Blue  
Book  
Issue 11



## **Welcome to the latest edition of the Little Blue Book.**

This catalogue outlines a range of goods and services available from Doughty Engineering Ltd.

Doughty began the manufacture of products for the entertainment industry in 1985 and is now one of the world's leading manufacturers of rigging, suspension and lifting equipment for film/TV, theatre and concert halls.

Quality and safety are key issues for Doughty. All our products are subjected to the most rigorous testing possible and, where appropriate, are approved by the TÜV product services. Such products show the TÜV logo.

Doughty is a member of PLASA (Professional Light and Sound Association) and adheres strictly to the standards of trading expected.

Doughty Little Blue Book is published by Doughty Engineering Limited, Crow Arch Lane, Ringwood, Hampshire, BH24 1NZ, UK.

© Doughty Engineering Ltd 2016

Telephone +44 1425 478961

Email [sales@doughty-engineering.co.uk](mailto:sales@doughty-engineering.co.uk)

Website [www.doughty-engineering.co.uk](http://www.doughty-engineering.co.uk)



Doughty, Trigger Clamp and Twenty Clamp are registered Trade Marks of Doughty Engineering Limited.



# Contents

Aluminium Clamps . . . . .	2
Boom Arms . . . . .	51
Pipe to Pipe Couplers . . . . .	51
Truss Adaptors . . . . .	55
Modular Rigging System . . . . .	62
Suspension Clamps . . . . .	72
Girder Clamps . . . . .	79
Scissor Clamps . . . . .	83
Beam Clamp . . . . .	84
Marquee Clamps . . . . .	85
Hook Clamps . . . . .	88
Hooks & Eyes . . . . .	97
Reutlinger Cable Holders . . . . .	102
Bow Shackles . . . . .	110
Safety Bonds . . . . .	112
Pulleys . . . . .	114
Rope & Wire Rope . . . . .	123
Lever Rope Brake . . . . .	125
Scenery Fixings . . . . .	126
Swivel Arms . . . . .	136
Floor & Wall Plates . . . . .	137
Wall Brackets . . . . .	144
Pipes & Tubes . . . . .	148
Scaffold Clamps . . . . .	152
Speedrail . . . . .	154
Pipeclamps . . . . .	162
Doughty Rail . . . . .	172
Six Track . . . . .	176
Easydeck . . . . .	194
SupaClamps . . . . .	201
Grip Equipment . . . . .	206
Projector Cradles . . . . .	220
TV Brackets . . . . .	222
Transporter Trolleys . . . . .	224
Stand Accessories . . . . .	226
Stands . . . . .	233
Spigots . . . . .	250
Facility Panels . . . . .	259
Toughboxes . . . . .	261
Internally Wired Bars . . . . .	262
19 Pin Connectors . . . . .	264
Lecterns . . . . .	266
Studio Rail 60 . . . . .	268
Studio Rail 80 . . . . .	281
Barrel Trolleys . . . . .	291
Pantographs . . . . .	292
Lighting Hoists . . . . .	294

# Aluminium Clamps

## Quick Reference Guide

Range	Tube Diameter	Width	SWL	Page(s)
Twenty Clamp	Ø48 - 51mm	28mm	20 kg	4 - 5
Doughty Clamps	Ø48 - 51mm	50mm	750 kg	6 - 11
Low Profile Clamps	Ø48 - 51mm	50mm	500 kg	12 - 13
Stainless Fixings	Ø48 - 51mm	30mm	750 kg	14 - 15
Slimline Doughty Clamps	Ø48 - 51mm	30mm	750 kg	18 - 20
Lightweight Clamps	Ø48 - 51mm	50mm	500 kg	21 - 23
Slimline Lightweights	Ø48 - 51mm	30mm	300 kg	24 - 25
Super Lightweights	Ø48 - 51mm	30mm	75 kg	26 - 27
25mm Atom Clamps	Ø25mm	21mm	100 kg	28 - 30
32mm Atom Clamps	Ø32mm	30mm	100 kg	28 - 30
35mm Atom Clamps	Ø35mm	30mm	100 kg	28 - 30
38mm Atom Clamps	Ø38mm	30mm	100 kg	28 - 30
Mammoth Clamps	Ø60 - 63mm	30mm	500 kg	31 - 33
Slimline Mammoths	Ø60 - 63mm	30mm	300 kg	34 - 35
Trigger Clamps	Ø48 - 51mm	30mm	200 kg	36 - 37
Baby Quick Triggers	Ø25 - 38mm	25mm	40 kg	38 - 39
Quick Triggers	Ø38 - 51mm	50mm	250 kg	40 - 41
Slimline Quick Triggers	Ø38 - 51mm	30mm	100 kg	42 - 43
Titan Quick Triggers	Ø48 - 80mm	30mm	100 kg	44 - 45
Speciality Couplers				46 - 51



# Aluminium Clamps at a Glance



Twenty Clamp  
Pages 4 - 5



Doughty Clamps  
Pages 6 - 11



Low Profile Clamps  
Page 12 - 13



Stainless Fixings  
Pages 14 - 15



Slimline Doughty Clamps  
Pages 18 - 20



Lightweight Clamps  
Pages 21 - 23



Slimline Lightweights  
Page 24 - 25



Super Lightweights  
Page 26 - 27



Atom Clamps  
Pages 28 - 30



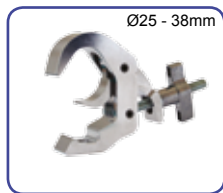
Mammoth Clamps  
Pages 31 - 33



Slimline Mammoths  
Pages 34 - 35



Trigger Clamps  
Pages 36 - 37



Baby Quick Triggers  
Pages 38 - 39



Quick Trigger Clamps  
Pages 40 - 41



Slimline Quick Triggers  
Pages 42 - 43



Titan Quick Triggers  
Pages 44 - 45



Speciality Couplers  
Pages 46 - 51

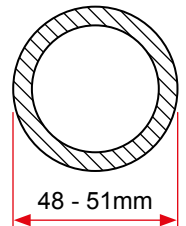
# Twenty Clamp®

The Twenty Clamp is the latest addition to our range of aluminium clamps. Manufactured from pressure die cast aluminium, the Twenty Clamp has been designed to eliminate truss damage usually associated with steel hook clamps.

This stylish compact clamp has a SWL of 20 kg and can be secured to tubes of 48 - 51mm diameter with just two turns of the Doughty knob. As with all major Doughty products the Twenty Clamp carries full CE marking and TÜV approval.

Main features:

- SWL 20 kg
- TÜV approval
- Captive M10 or M12 bolt
- Fits 48 - 51mm diameter tubes
- Two turns to secure clamp
- Pressure die cast aluminium
- Prevents damage to thin wall truss



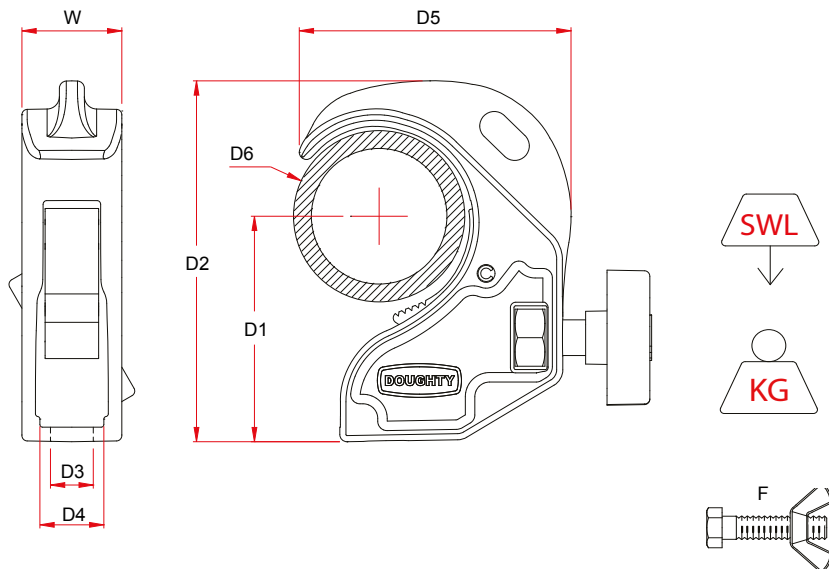


T58400



### Twenty Clamp

SWL	20 kg	D5	76mm
D1	63mm	D6	Ø48 - 51mm
D2	100mm	W	28mm
D3	Ø12.5mm	kg	0.26 kg
D4	M10 & M12	F	M10 x 30



# Laser Engraving

Doughty Engineering now offers professional laser engraving on all aluminium clamps. Any order over 100 units can now receive this fantastic offer at no extra charge. (Offer excludes T58400 Twenty Clamp)

State-of-the-art laser technology enables precise engraving of the highest quality - the perfect way to personalise clamps with your company logo.



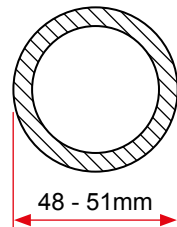
# Doughty® Clamps

Doughty Clamps combine strength and durability with a high degree of safety. Constructed from high tensile aluminium & finished in either polished aluminium or black powder coated they provide a secure fixing for tubes with external diameters from 48 - 51mm.

These clamps are slotted, allowing the use of a captive M12 nut or bolt head, enabling users to create fixings suited to their own individual requirements. This clamp has been TÜV tested and approved with a SWL of up to 750 kg.

Main features:

- SWL 750 kg
- TÜV approval
- Captive M12 bolt
- Fits 48 - 51mm diameter tubes
- High tensile aluminium





**Doughty Clamp**

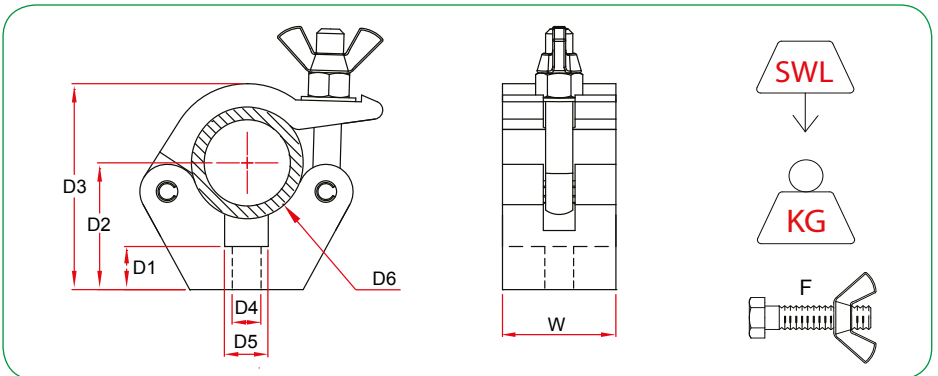
SWL	750kg
D1	19mm
D2	55mm
D3	90mm
D4	Ø12.7mm
D5	19mm
D6	Ø48 - 51mm
W	50mm
kg	0.63 kg

**Doughty Hook Clamp**

SWL	750kg
D1	19mm
D2	55mm
D3	90mm
D4	Ø12.7mm
D5	19mm
D6	Ø48 - 51mm
W	50mm
kg	0.71 kg
F	M12 x 50

**Doughty Clamp with Easy Grip**

SWL	750kg
D1	19mm
D2	55mm
D3	90mm
D4	Ø12.7mm
D5	19mm
D6	Ø48 - 51mm
W	50mm
kg	0.63 kg





**Doughty Swivel Coupler**

SWL	750 kg
D1	110mm
D2	180mm
D3	Ø48 - 51mm
W	50mm
kg	1.33 kg

**Doughty 90° Fixed Coupler**

SWL	750 kg
D1	110mm
D2	180mm
D3	Ø48 - 51mm
W	50mm
kg	1.33 kg

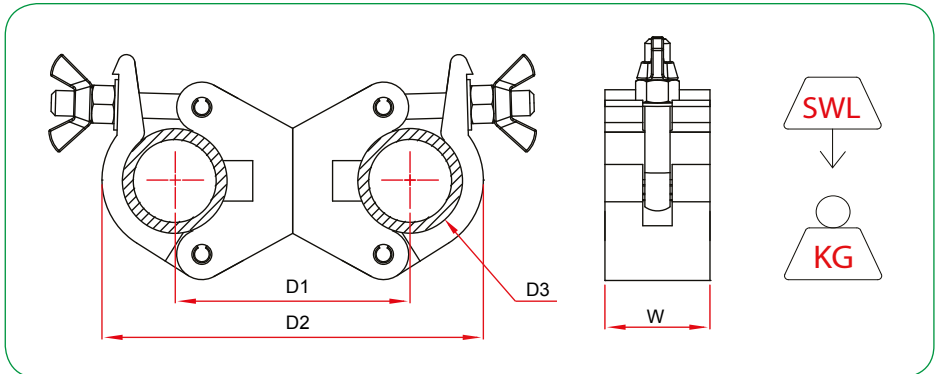
**Doughty Parallel Coupler**

SWL	750 kg
D1	110mm
D2	180mm
D3	Ø48 - 51mm
W	50mm
kg	1.33 kg

Maximum Torque  
30 N-m  
22 lb-ft



Tube Diameters  
48 - 51mm





T57225 - Silver  
T5722501 - Black



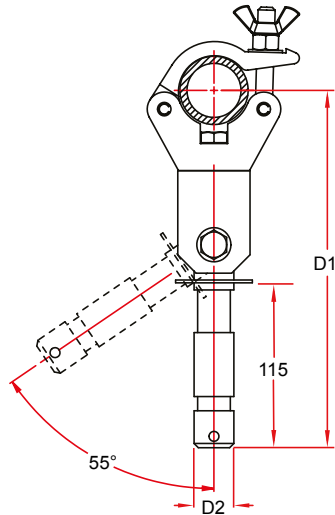
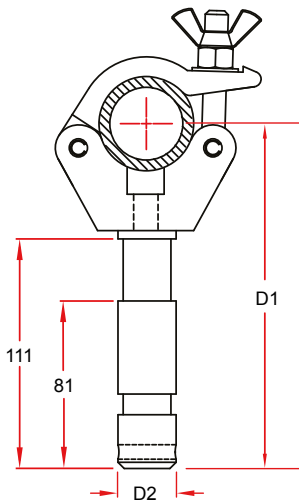
T57227

**Big Ben Clamp**

SWL	200 kg
D1	170mm
D2	Ø28mm
W	50mm
kg	0.86 kg

**Articulated Big Ben**

SWL	200 kg
D1	251mm
D2	Ø28mm
W	50mm
kg	1.77 kg







T57223 - Silver  
T57224 - Black



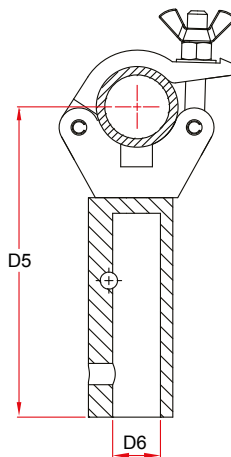
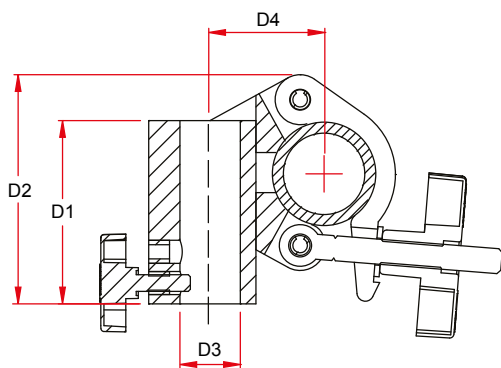
T57235 - Silver  
T57236 - Black

### TV Doughty Clamp

SWL	250 kg
D1	83mm
D2	110mm
D3	Ø29mm
D4	55mm
W	50mm
kg	0.93 kg

### TV Quick Clamp

SWL	200 kg
D5	190mm
D6	Ø29mm
W	50mm
kg	1.22 kg





T57205



T57207



T57203



T57206



T57208

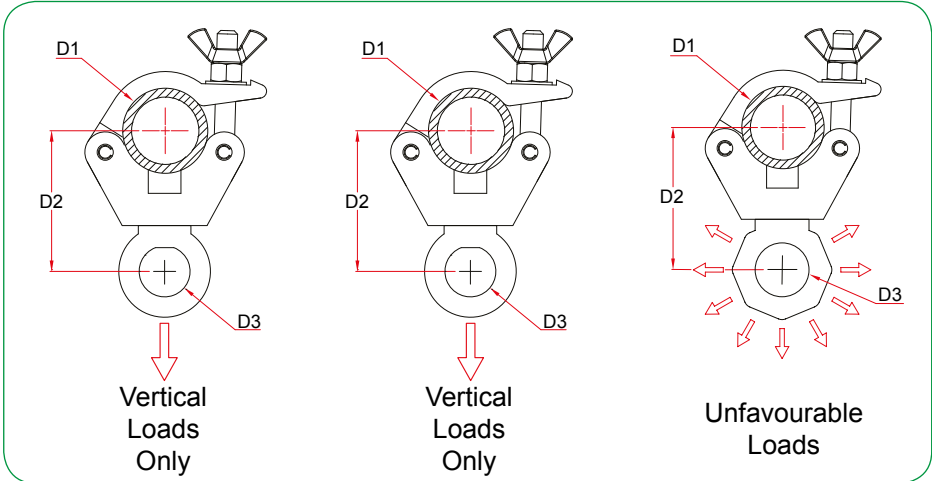


T57204

Hanging Clamp	
340 kg Standard Eye	
SWL	340 kg
D1	Ø48 - 51mm
D2	85mm
D3	Ø30mm
W	50mm
kg	0.84 kg

Hanging Clamp	
500 kg Red Eye	
SWL	500 kg
D1	Ø48 - 51mm
D2	87.5mm
D3	Ø35mm
W	50mm
kg	0.90 kg

Hanging Clamp	
750 kg Pink Eye	
SWL	750 kg
D1	Ø48 - 51mm
D2	87.5mm
D3	Ø30mm
W	50mm
kg	0.90 kg



# Doughty®

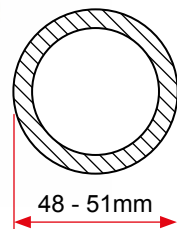
## Low Profile Clamps

The Low Profile Doughty Clamp combines strength and durability with a high degree of safety. Constructed from high tensile aluminium & finished in either polished aluminium or black powder coated, this unit provides a secure fixing for tubes with external diameters from 48 - 51mm.

This clamp has been TÜV tested and approved with a SWL of 500 kg.

Main features:

- SWL 500 kg
- TÜV approval
- Fits 48 - 51mm diameter tubes
- High tensile aluminium





T57230



T58600



T58601



T58605 - Silver  
T58606 - Black

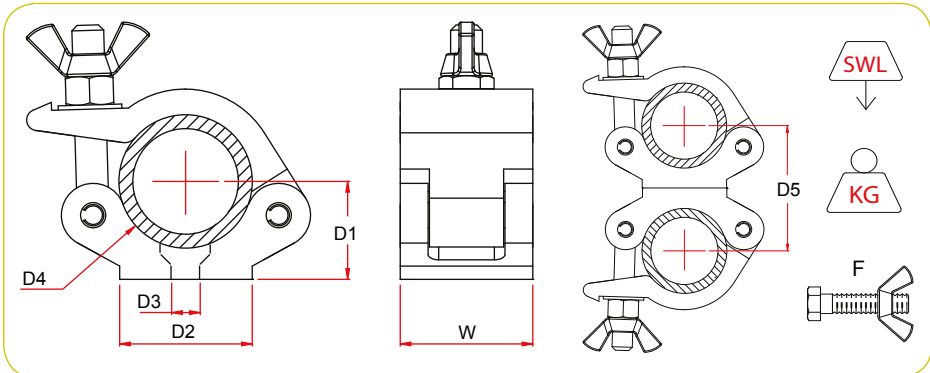
LP Weld Coupler	
SWL	500 kg
D1	36mm
D2	50mm
D3	Ø12.7mm
D4	Ø48 - 51mm
W	50mm
kg	0.49 kg

LP Hook Clamp	
SWL	500 kg
D1	36mm
D2	50mm
D3	Ø12.7mm
D4	Ø48 - 51mm
W	50mm
kg	0.57 kg

LP Swivel Coupler	
SWL	500 kg
D4	Ø48 - 51mm
D5	72mm
W	50mm
kg	1.06 kg

LP = Low Profile

F	Countersunk	M12 x 45
---	-------------	----------

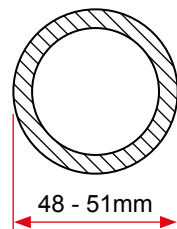


# Stainless Fixings

Due to the increasing number of outdoor events using truss roof systems etc, Doughty Engineering has developed a range of Doughty Clamps with stainless steel fasteners to allow them to be used outside for prolonged periods while minimising any galvanic corrosion. These clamps have a SWL of 750 kg.

Main features:

- SWL 750 kg
- Captive M12 bolt
- Stainless steel fasteners
- Fits 48 - 51mm diameter tubes
- High tensile aluminium



# Stainless Steel Fasteners



ST57000



ST57001



ST57100

## ST Doughty Clamp

SWL	750 kg
D1	19mm
D2	55mm
D3	90mm
D4	Ø12.7mm
D5	19mm
D6	Ø48 - 51mm
W	50mm
kg	0.63 kg

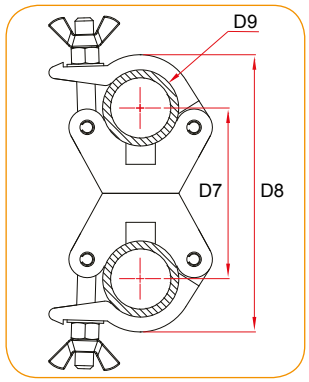
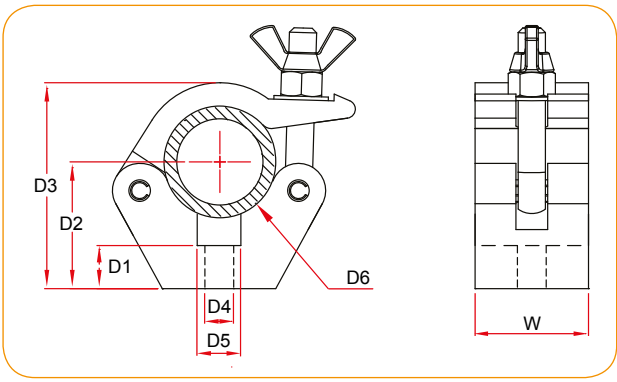
## ST Slimline Clamp

SWL	750 kg
D1	19mm
D2	55mm
D3	90mm
D4	Ø12.7mm
D5	19mm
D6	Ø48 - 51mm
W	30mm
kg	0.41 kg

## ST Swivel Coupler

SWL	750 kg
D7	110mm
D8	180mm
D9	Ø48 - 51mm
W	50mm
kg	1.33 kg

**ST = Stainless Steel Fasteners**



# Slimline Doughty® Clamps

The Slimline range of Doughty Clamps carries the same features of the standard Doughty clamp range, but is just 30mm wide to allow the clamps to be used between truss webs etc. Slotted to captivate an M12 nut or bolt head, these clamps have been TÜV tested and approved with a SWL of up to 750 kg.

Main features:

- SWL 750 kg
- TÜV approval
- Captive M12 bolt
- Fits 48 - 51mm diameter tubes
- High tensile aluminium







**Slimline Doughty Clamp**

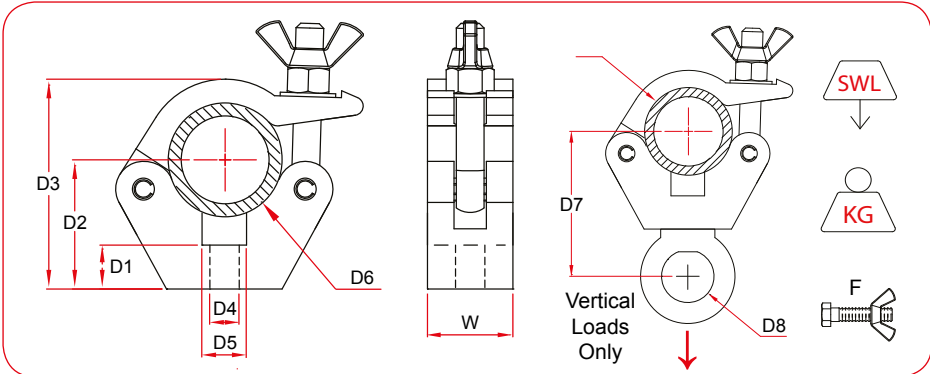
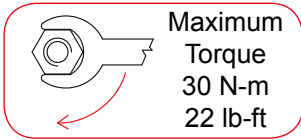
SWL	750 kg
D1	19mm
D2	55mm
D3	90mm
D4	Ø12.7mm
D5	19mm
D6	Ø48 - 51mm
W	30mm
kg	0.41 kg

**Slimline Hook Clamp**

SWL	750 kg
D1	19mm
D2	55mm
D3	90mm
D4	Ø12.7mm
D5	19mm
D6	Ø48 - 51mm
W	30mm
kg	0.50 kg
F	M12 x 50

**Slimline Hanging Clamp**

SWL	340 kg
D7	82mm
D8	Ø30mm
W	30mm
kg	0.61 kg







T58030 - Silver  
T58031 - Black



T58026



T58018

**Slimline Swivel Coupler**

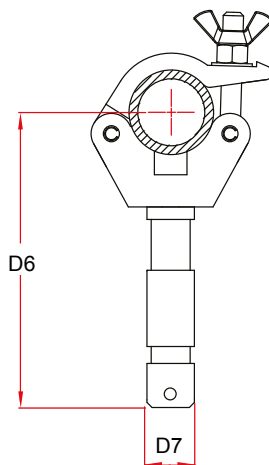
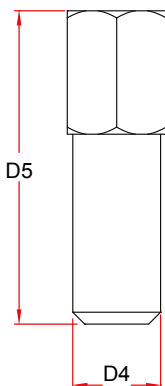
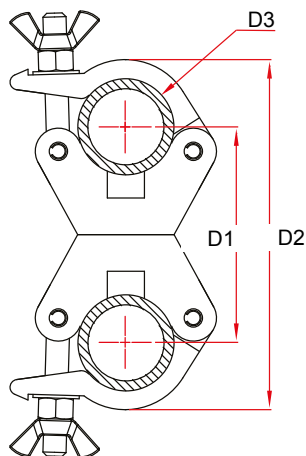
SWL	750 kg
D1	110mm
D2	180mm
D3	Ø48 - 51mm
W	30mm
kg	0.89 kg

**Slimline Little Tom Clamp**

SWL	N/A
D4	Ø19mm
D5	66mm
W	30mm
kg	0.44 kg

**Slimline Big Ben Clamp**

SWL	200 kg
D6	170mm
D7	Ø28mm
W	30mm
kg	0.48 kg



# Lightweight Clamps

Lightweight Doughty Clamps are constructed from high tensile aluminium extrusion and have been developed for installations where load capacities of up to 500 kg are required. Designed to fit tubes with diameters of 48 - 51mm, these clamps are slotted to hold captive an M12 hexagon nut or bolt head. The lightweight half coupler has been TÜV tested and certified to a SWL and TÜV approval of 500 kg. Slimline versions of this range are also available.

Main features:

- SWL 500 kg
- TÜV approval
- Captive M12 bolt
- Fits 48 - 51mm diameter tubes
- High tensile aluminium
- Available in polished aluminium or black powder paint





T58100



T58105



T58107



T58101



T58106

**LW Big Ben Clamp**

SWL	200 kg
H1	151mm
H2	Ø28mm
kg	0.63 kg



T58109

**LW Clamp**

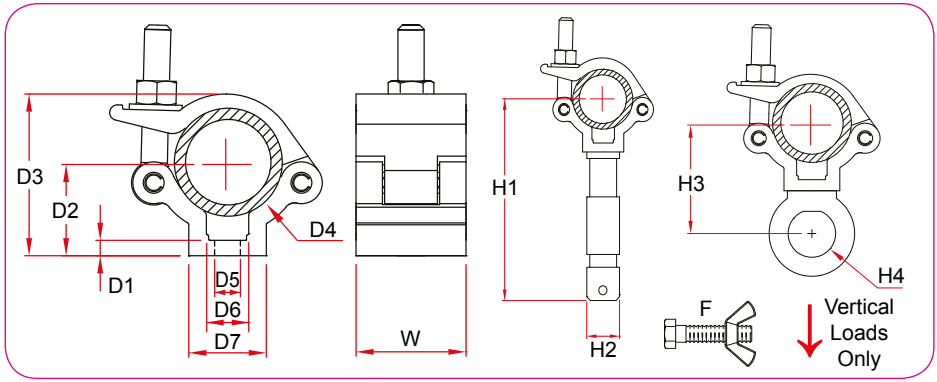
SWL	500 kg
D1	7mm
D2	40mm
D3	70mm
D4	Ø48 - 51mm
D5	12.7mm
D6	19mm
D7	35mm
W	50mm
kg	0.34 kg

**LW Hook Clamp**

SWL	500 kg
D1	7mm
D2	40mm
D4	Ø48 - 51mm
D5	12.7mm
D6	19mm
D7	35mm
W	50mm
kg	0.34 kg
F	M12 x 50

**LW Hanging Clamp**

SWL	340 kg
H3	67mm
H4	Ø30mm
kg	0.44 kg

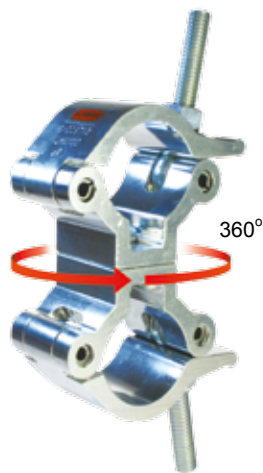




T58110 - Silver  
T58111 - Black



T58115 - Silver  
T58116 - Black



T58120 - Silver  
T58121 - Black

**LW 90° Fixed Coupler**

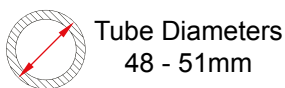
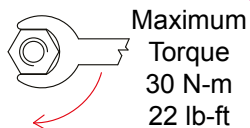
SWL	500 kg
D1	80mm
D2	140mm
D3	Ø48 - 51mm
W	50mm
kg	0.76 kg

**LW Parallel Coupler**

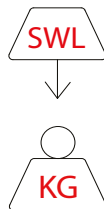
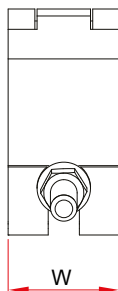
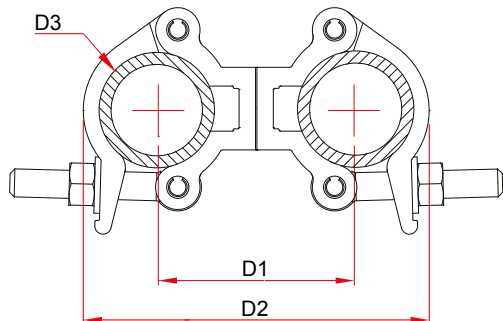
SWL	500 kg
D1	80mm
D2	140mm
D3	Ø48 - 51mm
W	50mm
kg	0.76 kg

**LW Swivel Coupler**

SWL	500 kg
D1	80mm
D2	140mm
D3	Ø48 - 51mm
W	50mm
kg	0.76 kg



**LW =  
Lightweight**

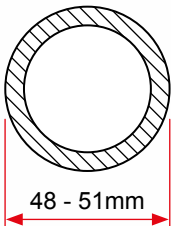


# Slimline Lightweight Clamps

Slimline Lightweight Doughty Clamps carry the same quality features of the standard lightweight range. The 30mm width allows these clamps to be used between truss webs etc.

Main features:

- SWL 300 kg
- TÜV approval
- Captive M12 bolt
- Fits 48 - 51mm diameter tubes
- High tensile aluminium
- Available in polished aluminium or black powder coated





**S-line LW Swivel Coupler**

SWL	300 kg
W	30mm
kg	0.55 kg



**Slimline LW Clamp**

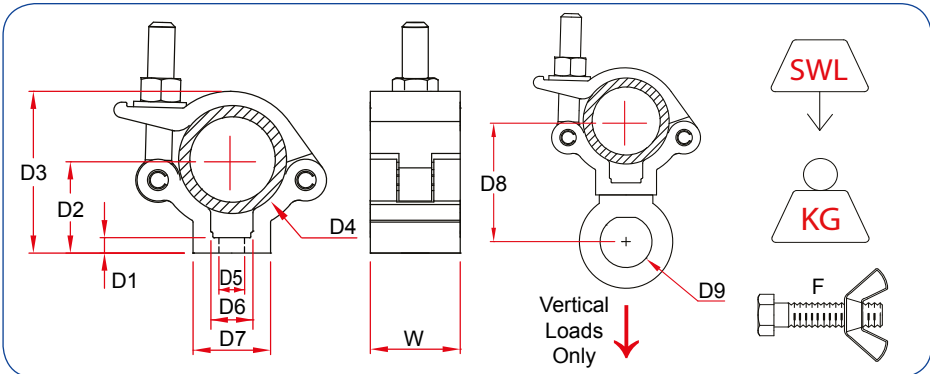
SWL	300 kg
D1	7mm
D2	40mm
D3	70mm
D4	Ø48 - 51mm
D5	Ø12.7mm
D6	17 & 19mm
D7	35mm
W	30mm
kg	0.24 kg

**Slimline LW Hook Clamp**

SWL	300 kg
D1	7mm
D2	40mm
D4	Ø48 - 51mm
D5	Ø12.7mm
D6	17 & 19mm
D7	35mm
W	30mm
kg	0.32 kg
F	M12 x 50

**S-line LW Hanging Clamp**

SWL	300 kg
D8	67mm
D9	Ø30mm
W	30mm
kg	0.34 kg



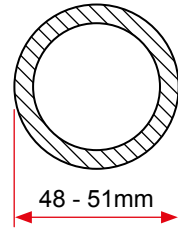
# Super Lightweight Clamps

Super Lightweight Doughty Clamps are constructed from high tensile aluminium extrusions designed to fit bars with diameters between 48 - 51mm. They are slotted to hold captive an M10 nut or bolt head.

The clamps have a slimline profile of 30mm and a TÜV approval of 75 kg SWL.

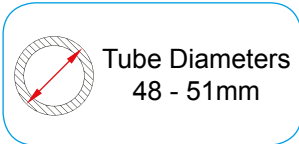
Main features:

- SWL 75 kg
- TÜV approval
- Captive M10 bolt
- Fits 48 - 51mm diameter tubes
- High tensile aluminium
- Available in polished aluminium or black powder coated





**SLW =  
Super  
Lightweight**



**SLW Hanging Clamp**

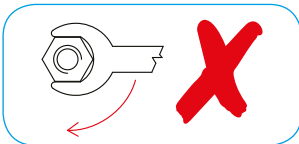
SWL	75 kg
H3	60mm
H4	Ø25mm
kg	0.28 kg

**SLW Clamp**

SWL	75 kg
D1	4.30mm
D2	36mm
D3	Ø10mm
D4	17mm
D5	30mm
D6	Ø48 - 51mm
W	30mm
kg	0.18 kg
F	M10x30

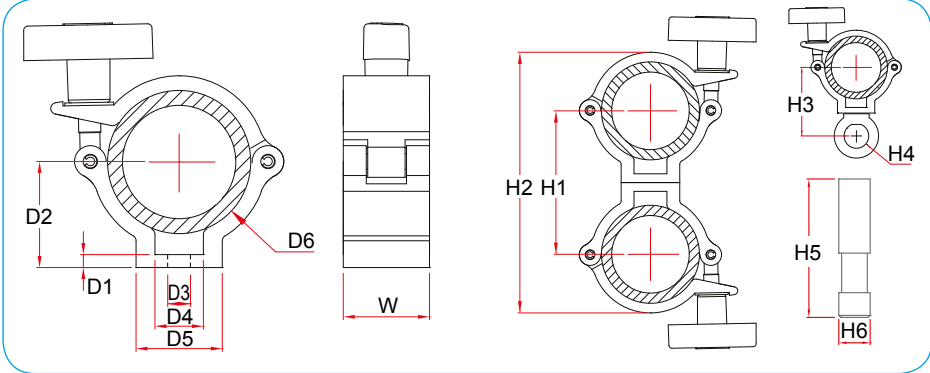
**SLW Swivel Coupler**

SWL	75 kg
H1	72mm
H2	120mm
D6	Ø48 - 51mm
W	30mm
kg	0.40 kg



**SLW 'Beamer' Clamp**

SWL	75 kg
H5	70mm
H6	Ø16mm
W	30mm
kg	0.28 kg



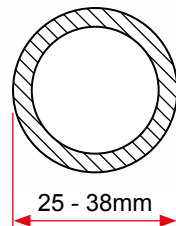


# Atom Clamps

Atom Clamps are the smallest of the Doughty range of extruded aluminium couplers and are slotted to hold captive a nut or bolt head. These small clamps have a SWL of 100 kg and are ideal for shop displays, film lighting etc. Atom clamps will fit tubes with exterior diameters of 25 - 38mm and are suitable for use not only for lightweight trusses, but also the centre tube on most varieties of stands.

Main features:

- SWL 100 kg
- TÜV approval (32mm only)
- Captive bolt
- Fits 25, 32, 35 & 38mm diameter tubes
- High tensile aluminium
- Available in polished aluminium or black powder coated





T58870 - 25mm Silver  
 T58800 - 32mm Silver  
 T58900 - 35mm Silver  
 T58970 - 38mm Silver  
 T5887001 - 25mm Black  
 T58801 - 32mm Black  
 T5890001 - 35mm Black  
 T5897001 - 38mm Black



T58887 - 25mm Silver  
 T58830 - 32mm Silver  
 T58927 - 35mm Silver  
 T58997 - 38mm Silver  
 T5888701 - 25mm Black  
 T5883001 - 32mm Black  
 T5892701 - 35mm Black  
 T5899701 - 38mm Black



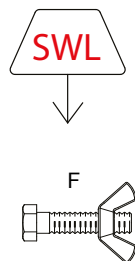
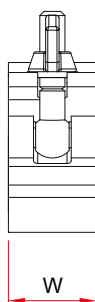
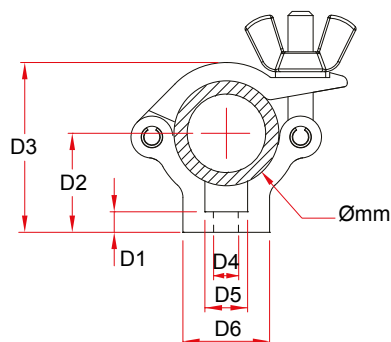
T58890 - 25mm Silver  
 T58840 - 32mm Silver  
 T58920 - 35mm Silver  
 T58990 - 38mm Silver  
 T5889001 - 25mm Black  
 T5884001 - 32mm Black  
 T5892001 - 35mm Black  
 T5899001 - 38mm Black

Atom Clamp

Atom Hook Clamp

Atom Hanging Clamp

	Ø25mm	Ø32mm	Ø35mm	Ø38mm
SWL	100 kg	100 kg	100 kg	100 kg
D1	5mm	5mm	5mm	5mm
D2	21mm	28mm	32mm	36mm
D3	41mm	48mm	55mm	55mm
D4	Ø6mm	Ø6mm	Ø10mm	Ø10mm
D5	10mm	10mm	14 & 17mm	17mm
D6	20mm	30mm	30mm	30mm
W	21mm	30mm	30mm	30mm
kg	0.04 kg	0.08 kg	0.09 kg	0.09 kg
F	M6 x 30	M6 x 30	M8 & M10	M10 x 30





T58885 - 25mm Silver  
 T58820 - 32mm Silver  
 T58915 - 35mm Silver  
 T58985 - 38mm Silver  
 T5888501 - 25mm Black  
 T5882001 - 32mm Black  
 T5891501 - 35mm Black  
 T5898501 - 38mm Black



T58880 - 25mm Silver  
 T58815 - 32mm Silver  
 T58910 - 35mm Silver  
 T58980 - 38mm Silver  
 T5888001 - 25mm Black  
 T5881501 - 32mm Black  
 T5891001 - 35mm Black  
 T5898001 - 38mm Black



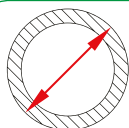
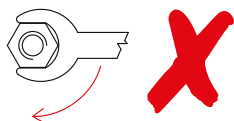
T58875 - 25mm Silver  
 T58810 - 32mm Silver  
 T58905 - 35mm Silver  
 T58975 - 38mm Silver  
 T5887501 - 25mm Black  
 T5881001 - 32mm Black  
 T5890501 - 35mm Black  
 T5897501 - 38mm Black

Atom 90° Fixed Coupler

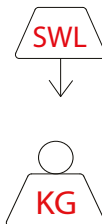
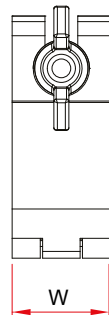
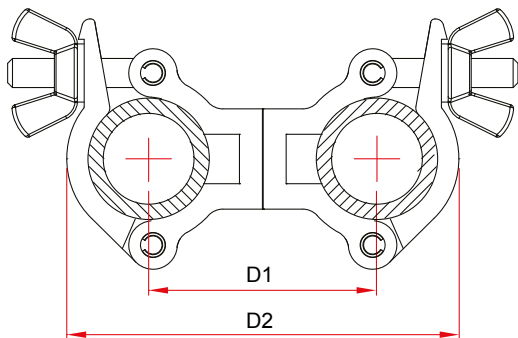
Atom Parallel Coupler

Atom Swivel Coupler

	Ø25mm	Ø32mm	Ø35mm	Ø38mm
SWL	100 kg	100 kg	100 kg	100 kg
D1	42mm	56mm	64mm	72mm
D2	82mm	96mm	110mm	110mm
W	21mm	30mm	30mm	30mm



Tube Diameters  
 25mm, 32mm, 35mm & 38mm



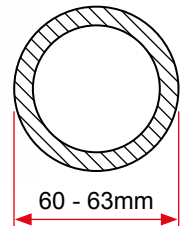
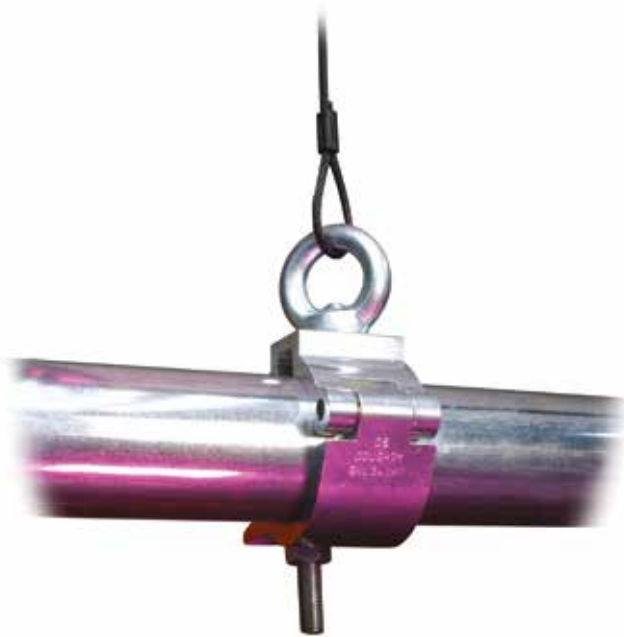
# Mammoth Clamps

The Mammoth Clamp range has been designed to fit tubes with a diameter of 60 - 63mm. The Mammoth half coupler is TÜV tested and certified for a SWL of 500 kg.

As with most other Doughty couplers, the high tensile aluminium base is slotted to hold captive a nut or bolt head.

Main features:

- SWL 500 kg
- TÜV approval
- Captive M10 & M12 bolt
- Fits 60 - 63mm diameter tubes
- High tensile aluminium
- Available in polished aluminium or black powder paint





T57400



T57410



T57450



T57401



T57411



T57451

**Mammoth Clamp**

SWL	500 kg
D1	7mm
D2	47mm
D3	87mm
D4	Ø12.7mm
D5	17 & 19mm
D6	35mm
D7	Ø60 - 63mm
W	50mm
kg	0.41 kg

**Mammoth Hook Clamp**

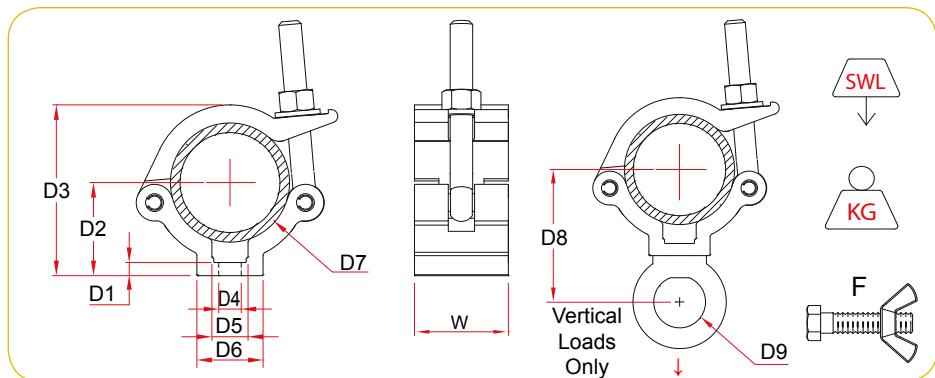
SWL	500 kg
D1	7mm
D2	47mm
D3	87mm
D4	Ø12.7mm
D5	17 & 19mm
D7	Ø60 - 63mm
W	50mm
kg	0.49 kg
F	M12 x 50

**Mammoth Hanging Clamp**

SWL	340 kg
D8	74mm
D9	Ø30mm
W	50mm
kg	0.51 kg
F	M12 Eye Nut



Tube Diameters  
60 - 63mm





T57430 - Silver  
T57431 - Black



T57420 - Silver  
T57421 - Black



T57440 - Silver  
T57441 - Black

**Mammoth 90° Fixed**

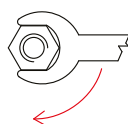
SWL	500 kg
D1	94mm
D2	174mm
D3	Ø60 - 63mm
W	50mm
kg	0.90 kg

**Mammoth Swivel Coupler**

SWL	500 kg
D1	94mm
D2	174mm
D3	Ø60 - 63mm
W	50mm
kg	0.90 kg

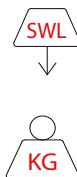
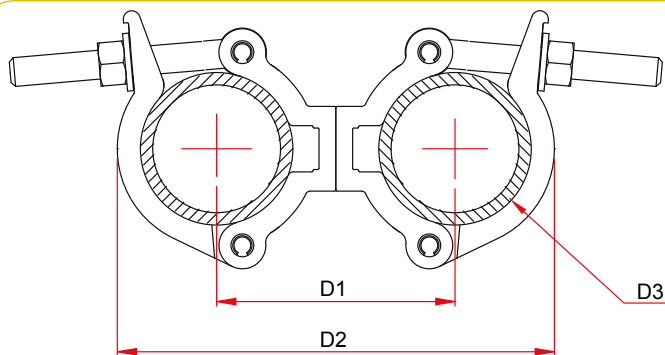
**Mammoth Parallel Coupler**

SWL	500 kg
D1	94mm
D2	174mm
D3	Ø60 - 63mm
W	50mm
kg	0.90 kg



Maximum  
Torque  
30 N-m  
22 lb-ft

**Mammoth**





**Slimline Mammoth Clamp**

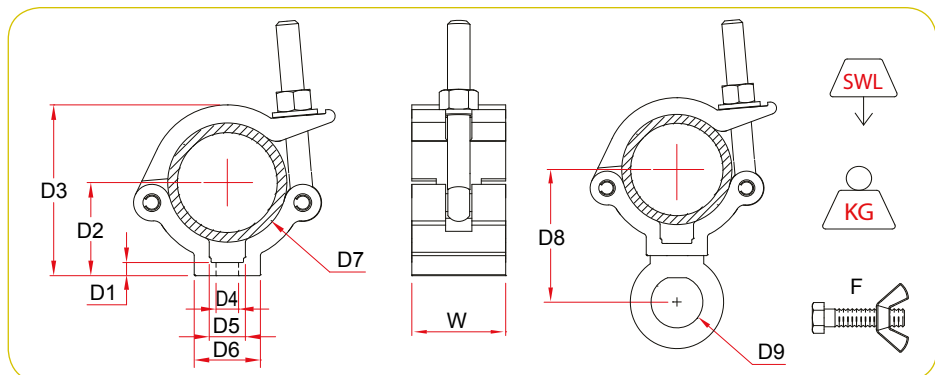
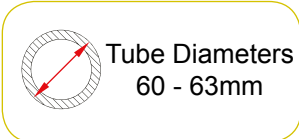
SWL	300 kg
D1	7mm
D2	47mm
D3	87mm
D4	Ø12.7mm
D5	17 & 19mm
D6	35mm
D7	Ø60 - 63mm
W	30mm
kg	0.41 kg

**Slimline Hook Clamp**

SWL	300 kg
D1	7mm
D2	47mm
D3	87mm
D4	Ø12.7mm
D5	17 & 19mm
D7	Ø60 - 63mm
W	30mm
kg	0.49 kg
F	M12 x 50

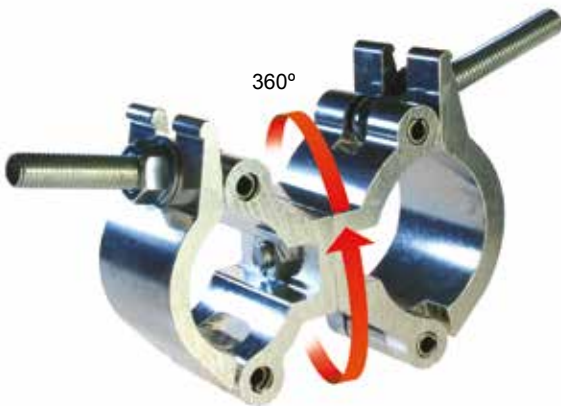
**Slimline Hanging Clamp**

SWL	300 kg
D8	74mm
D9	Ø30mm
W	30mm
kg	0.51 kg
F	M12 Eye Nut





T57422 - Silver  
T57423 - Black



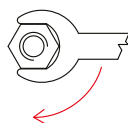
T57435 - Fixed 90° - Silver  
T57436 - Fixed 90° - Black  
T57425 - Swivel - Silver  
T57426 - Swivel - Black

**Slimline Swivel Coupler**

SWL	300 kg
D1	94mm
D2	174mm
D3	Ø60 - 63mm
W	50mm
kg	0.90 kg

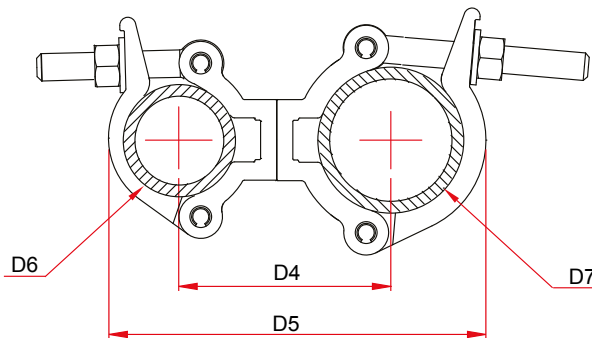
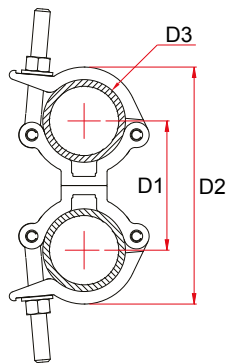
**Mammoth 60 to 50mm**

SWL	500 kg	D4	87mm
W	50mm	D5	157mm
kg	0.90 kg	D6	Ø48 - 51mm
		D7	Ø60 - 63mm



Maximum  
Torque  
30 N-m  
22 lb-ft

**Mammoth**





# Trigger<sup>®</sup> Clamps

The Doughty Trigger Clamp is constructed from high tensile aluminium extrusion making it not only lightweight, but extremely strong, with a safe working load and TÜV approval of 200 kg.

Designed to allow one person to hang heavy luminaires and scanners, the weight of the object being hung becomes its own safety factor by automatically closing the trigger and the bottom half of the clamp. This unique feature allows the luminaires to be easily positioned and securely 'locked off' using the large tee 'easygrip' handle.

Main features:

- SWL 200 kg
- TÜV approval
- Captive M12 bolt
- Fits 48 - 51mm diameter tubes
- High tensile aluminium
- Available in polished aluminium or black powder coated





Trigger Clamp

Hook Clamp

Hanging Clamp

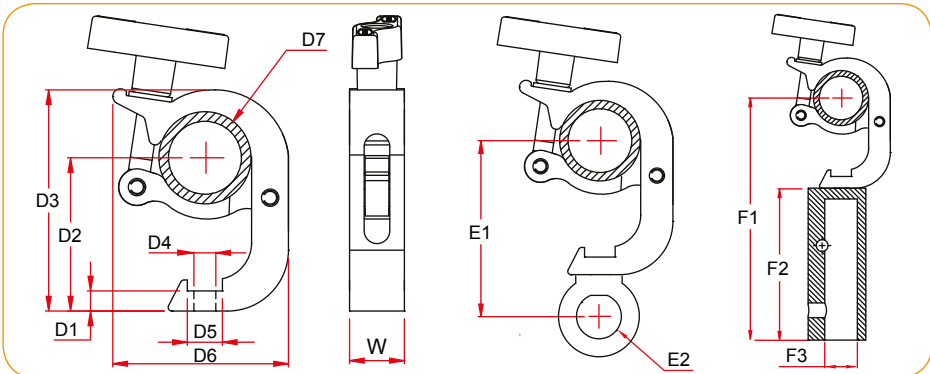
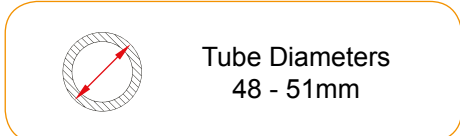
TV Clamp

SWL	200 kg
D1	11mm
D2	86mm
D3	121mm
D4	Ø12.7mm
D5	19mm
D6	97mm
D7	Ø48 - 51mm
W	30mm
kg	0.50 kg

SWL	200 kg
D1	11mm
D2	86mm
D3	121mm
D4	Ø12.7mm
D5	19mm
D7	Ø48-51mm
W	30mm
kg	0.58 kg
F	M12 x 45

SWL	200 kg
E1	113mm
E2	Ø30mm
W	30mm
kg	0.71 kg
F	M12 Eye Nut

SWL	200 kg
F1	221mm
F2	135mm
F3	Ø29mm
W	30mm
kg	1.09 kg

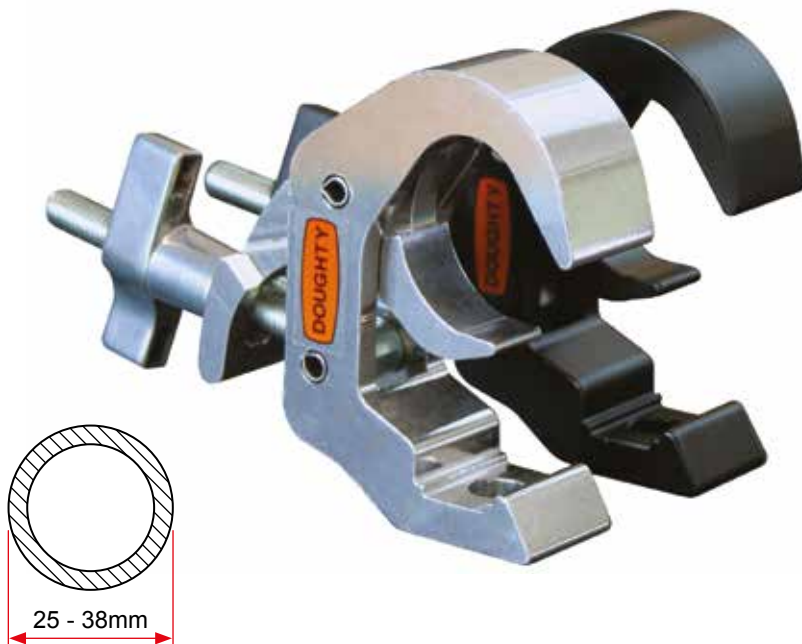


# Baby Quick Trigger<sup>®</sup> Clamps

The Baby Quick Trigger Clamp is the latest addition to our range of Quick Trigger Clamps. Manufactured from high tensile aluminium this clamp is ideally suited to decorative truss etc.

Main features:

- SWL 40 kg
- Captive M8 or M10 bolt
- Fits 25 - 38mm diameter tubes
- High tensile aluminium
- Available in polished aluminium or black powder coated





T58150



T58151



T58155 - Silver  
T58156 - Black



T58160 - Silver  
T58161 - Black

**Baby Quick Trigger**  
**Standard Clamp**

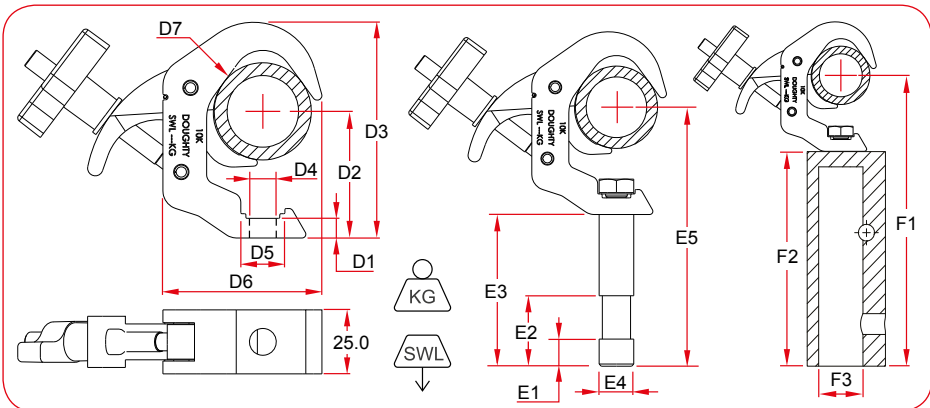
SWL	40 kg
D1	7.7mm
D2	49.0mm
D3	84.3mm
D4	Ø10.5mm
D5	13.3 - 17.3mm
D6	62.2mm
D7	Ø25-38mm
kg	0.20 kg

**Baby Quick Trigger**  
**'Beamer' Clamp**

SWL	40 kg
E1	12.5mm
E2	32.5mm
E3	70mm
E4	Ø16mm
E5	119.0mm
kg	0.25 kg

**Baby Quick Trigger**  
**TV Clamp**

SWL	40 kg
F1	117mm
F2	135mm
F3	Ø29mm
kg	0.71 kg



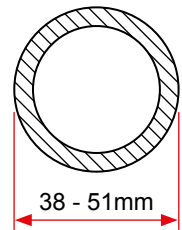
# Quick Trigger<sup>®</sup> Clamps

The design of the Doughty Quick Trigger Clamp gives a high degree of safety by allowing one person to hang heavy luminaires and fixtures. The spring loaded jaws stay open and automatically close with the weight of the object being hung, leaving both hands free to lift and position the load.

The base of the clamp is slotted to hold either an M10 or M12 bolt head or nut captive without turning.

Main features:

- SWL 250 kg
- TÜV approval
- Captive M10 or M12 bolt
- Fits 38 - 51mm diameter tubes
- High tensile aluminium
- Available in polished aluminium or black powder coated





T58200



T58205



T58215



T58240 - Silver  
T58241 - Black



T58201



T58206



T58216

**Quick Trigger**  
**Standard Clamp**

SWL	250 kg
D1	11mm
D2	66mm
D3	110mm
D4	Ø12.7mm
D5	17 & 19mm
D6	85mm
D7	Ø38 - 51mm
Width	50mm
kg	0.76 kg

**Quick Trigger**  
**Hook Clamp**

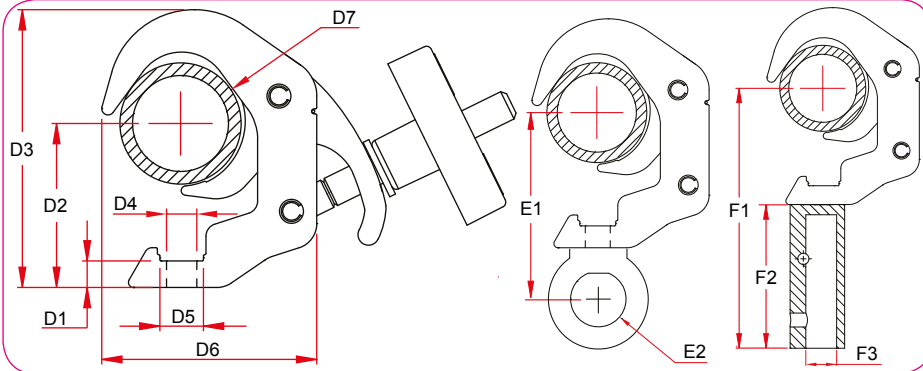
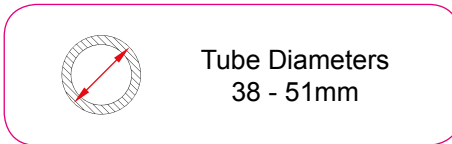
SWL	250 kg
D1	11mm
D2	66mm
D3	110mm
D4	Ø12.7mm
D5	17 & 19mm
D7	Ø38 - 51mm
Width	50mm
kg	0.84 kg
Fastener	M12 x 45

**Quick Trigger**  
**Hanging Clamp**

SWL	250 kg
E1	117mm
E2	Ø30mm
Width	50mm
kg	0.97 kg
F	M12 Eye Nut

**Quick Trigger**  
**TV Clamp**

SWL	200 kg
F1	201mm
F2	135mm
F3	Ø29mm
kg	1.16 kg

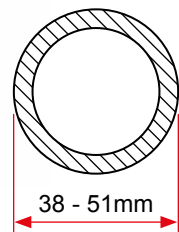


# Slimline Quick Trigger® Clamps

With all the great features of the Standard Quick Trigger Clamps, the Slimline Quick Trigger range is 30mm wide, allowing these clamps to be used between truss webs. A key feature of this clamp is the ability to fit tube diameters between 38 & 51mm.

Main features:

- SWL 100 kg
- TÜV approval
- Captive M10 or M12 bolt
- Fits 38 - 51mm diameter tubes
- High tensile aluminium
- Available in polished aluminium or black powder coated







T58300



T58305



T58315



T58340 - Silver  
T58341 - Black



T58301



T58306



T58316

S-line Quick Trigger

Standard Clamp

SWL	100 kg
D1	11mm
D2	66mm
D3	110mm
D4	Ø12.7mm
D5	17 & 19mm
D6	85mm
D7	Ø38 - 51mm
Width	30mm
kg	0.49 kg

S-line Quick Trigger

Hook Clamp

SWL	100 kg
D1	11mm
D2	66mm
D3	110mm
D4	Ø12.7mm
D5	17 & 19mm
D7	Ø38 - 51mm
Width	30mm
kg	0.57 kg
Fastener	M12 x 45

S-line Quick Trigger

Hanging Clamp

SWL	100 kg
E1	117mm
E2	Ø30mm
Width	30mm
kg	0.70 kg
F	M12 Eye Nut

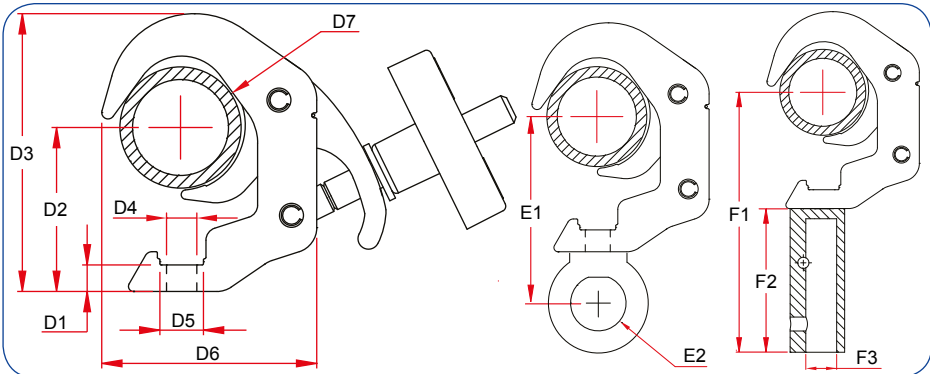
S-line Quick Trigger

TV Clamp

SWL	100 kg
F1	201mm
F2	135mm
F3	Ø29mm
kg	0.62 kg



Tube Diameters  
38 - 51mm





# Titan Quick Trigger® Clamps

The Titan Quick Trigger range of clamps has been designed to fit tubes with larger diameters between 48 & 80mm. This is the largest high tensile aluminium clamp in our range.

Main features:

- SWL 100 kg
- TÜV approval
- Captive M10 or M12 bolt
- Fits 48 - 80mm diameter tubes
- High tensile aluminium
- Available in polished aluminium or black powder coated





T58500



T58505



T58515



T58501



T58506



T58516



T58540 - Silver  
T58541 - Black

Titan Quick Trigger®	
Standard Clamp	

SWL	100 kg
D1	11mm
D2	78mm
D3	144mm
D4	Ø12.7mm
D5	17 & 19mm
D6	106mm
D7	Ø48 - 80mm
Width	30mm
kg	0.69 kg

Titan Quick Trigger®	
Hook Clamp	

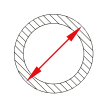
SWL	100 kg
D1	11mm
D2	78mm
D3	144mm
D4	Ø12.7mm
D5	17 & 19mm
D7	Ø48-80mm
Width	30mm
kg	0.77 kg
Fastener	M12 x 50

Titan Quick Trigger®	
Hanging Clamp	

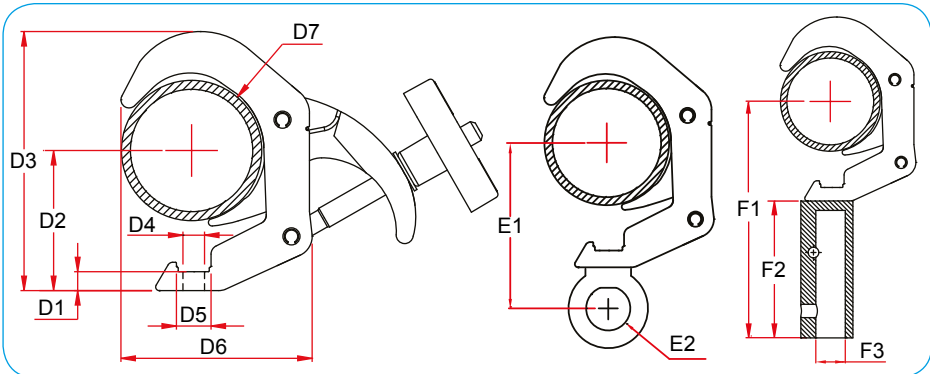
SWL	100 kg
E1	105mm
E2	Ø30mm
Width	30mm
kg	0.88 kg
F	M12 Eye Nut

Titan Quick Trigger®	
TV Clamp	

SWL	100 kg
F1	213mm
F2	135mm
F3	Ø29mm
kg	1.24 kg



Tube Diameters  
48 - 80mm



# Speciality Couplers

The speciality coupler range is a comprehensive range of clamps allowing the end user to overcome almost any tricky rigging situation.

**Side Entry Clamps** can be used to create cross braces where a firm fixing is required and a claw clamp is not appropriate. They are ideal for flying equipment in positions where a standard coupler cannot be closed.

**Barrel Socket Clamps** are typically used for instruments or luminaires with a 16 or 29mm pin fitted.

**Panel Clamps** can be used to secure panels or shelves and are particularly useful in the exhibition industry.

**Locking Elbows** have been specifically designed for use in the manufacture of folding trusses although they are proving useful in a multitude of different applications (require welding).

**Claw Clamps** are a range of snap on fixing clamps suitable for light duty bracing and outriggers (require welding).

**Finial Couplers** are used to construct a swivel joint on braces etc (require welding).

**Pivot Hinges** provide a firm fixing between adjacent bars whilst allowing 360° rotation and 180° of lateral movement (require welding).

**Knuckle Joints** create an articulating joint between two tubes (require welding).

**Stabiliser Couplers** are generally used in brace construction (require welding).



T58780 - Silver  
T58782 - Black



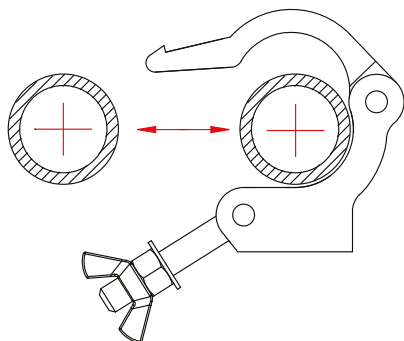
T58781 - Silver  
T58783 - Black

### Side Entry Doughty Clamp

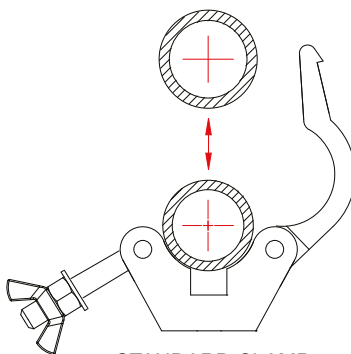
SWL	750 kg
D1	Ø12.7mm
D2	50mm
D3	Ø48 - 51mm
D4	53mm
W2	50mm
kg	0.56 kg

### Slimline Side Entry Doughty Clamp

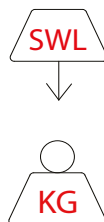
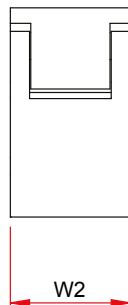
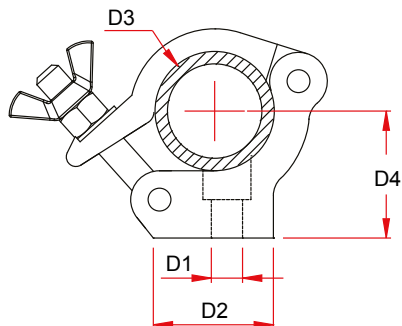
SWL	750 kg
D1	Ø12.7mm
D2	50mm
D3	Ø48 - 51mm
D4	53mm
W1	30mm
kg	0.36 kg



SIDE ENTRY CLAMP



STANDARD CLAMP





G1115 - Silver  
G111501 - Black



### Barrel Socket Clamp

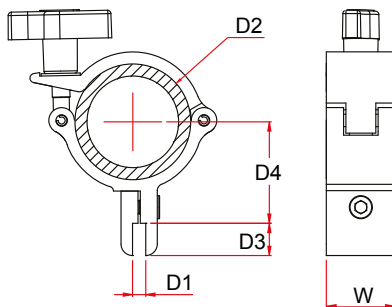
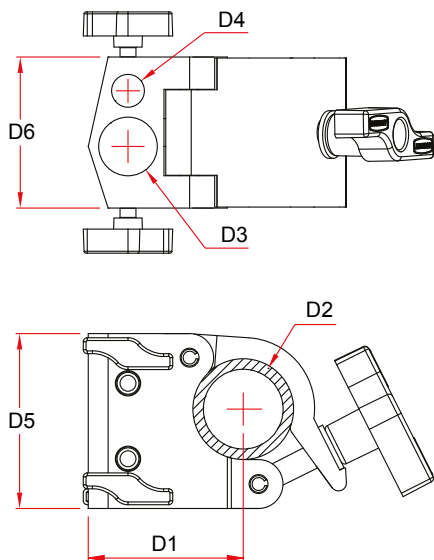
SWL	250 kg
D1	78mm
D2	Ø48 - 51mm
D3	Ø29mm
D4	Ø16.5mm
D5	88mm
D6	76mm
kg	0.93 kg



T58130 - Silver  
T5813001 - Black

### Super Lightweight Panel Clamp

SWL	N/A
D1	5 - 10mm
D2	Ø48 - 51mm
D3	14mm
D4	44mm
W	30mm
kg	0.16 kg





T58790 - 47mm  
 T58791 - 44mm  
 T58792 - 41.5mm  
 T58793 - 39.5mm



T58795

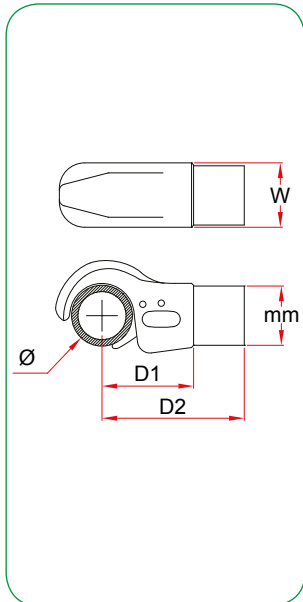
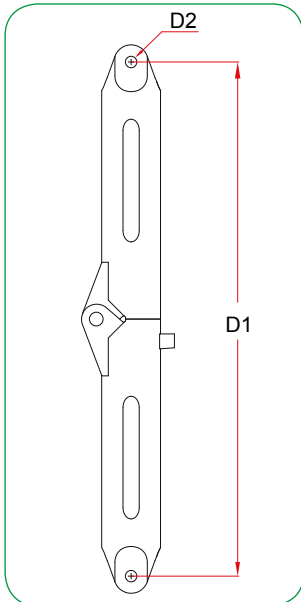
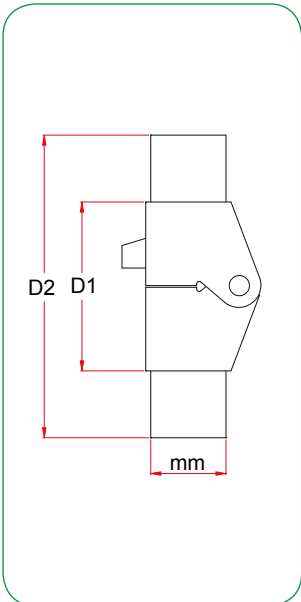


T58756 - Ø48 mm x 47mm  
 T58757 - Ø48 mm x 44mm  
 T58758 - Ø48 mm x 41.5mm  
 T58759 - Ø48 mm x 39.5mm  
 T58760 - Ø50 mm x 47mm  
 T58761 - Ø50 mm x 44mm  
 T58762 - Ø50 mm x 41.5mm  
 T58763 - Ø50 mm x 39.5mm

Locking Elbows	
D1	100mm
D2	180mm
kg	0.72 kg

Long Locking Elbow Assy	
D1	450mm
D2	Ø12mm
kg	1.60 kg

Claw Clamps	
D1	72mm
D2	112mm
W	50mm
kg	0.39 kg





T58735 - Swivelling 47mm  
 T58736 - Swivelling 44mm  
 T58738 - Swivelling 41.4mm  
 T58739 - Swivelling 39.5mm

T58740 - Fixed 47mm  
 T58741 - Fixed 44mm  
 T58743 - Fixed 41.4mm  
 T58744 - Fixed 39.5mm



T57249



T57250



T58750 - 47mm  
 T58751 - 44mm  
 T58753 - 41.4mm  
 T58754 - 39.5mm

### Finial Coupler

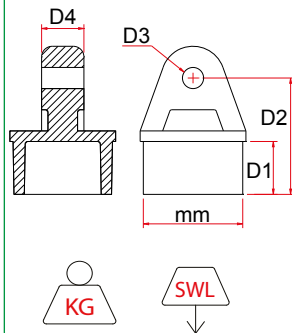
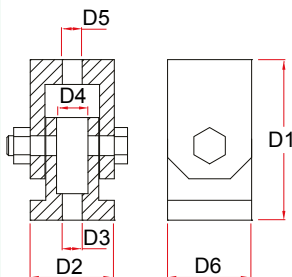
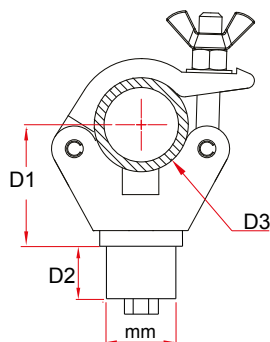
D1	61mm
D2	25mm
D3	Ø48 - 51mm
W	50mm
kg	0.86 kg

### Pivot Hinge Assembly

D1	97mm
D2	50mm
D3	Ø12mm
D4	Ø19mm
D5	Ø12mm
D6	50mm
kg	Hinge only: 0.79 kg
kg	Hinge with clamps: 1.96 kg

### Round Shank Pivot Plug

D1	25mm
D2	55mm
D3	Ø10mm
D4	20mm
kg	0.16 kg





T58745 - 47mm  
 T58746 - 44mm  
 T58748 - 41.4mm  
 T58749 - 39.5mm



T58730 - 47mm  
 T58731 - 44mm  
 T58733 - 41.4mm  
 T58734 - 39.5mm



T58720 - Clamp Only  
 T58725 - 47mm  
 T58726 - 44mm  
 T58728 - 41.4mm  
 T58729 - 39.5mm

**Round Shank Foot Casting**

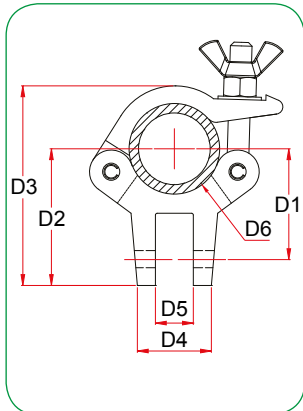
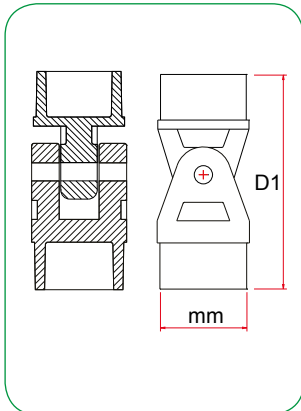
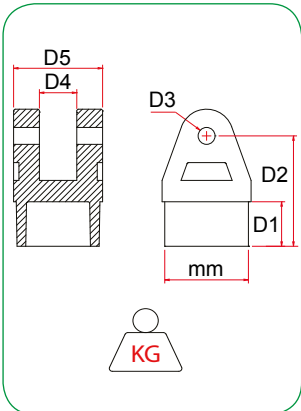
D1	25mm
D2	62mm
D3	Ø10mm
D4	21mm
D5	50mm
kg	0.16 kg

**Round Shank Knuckle Joint**

D1	117mm
kg	0.35 kg

**Stabiliser Coupler**

D1	61mm
D2	75mm
D3	110mm
D4	41mm
D5	21mm
D6	Ø48 - 51mm
W	50mm
kg	Clamp only: 0.55 kg
kg	Clamp with plug: 0.67 kg



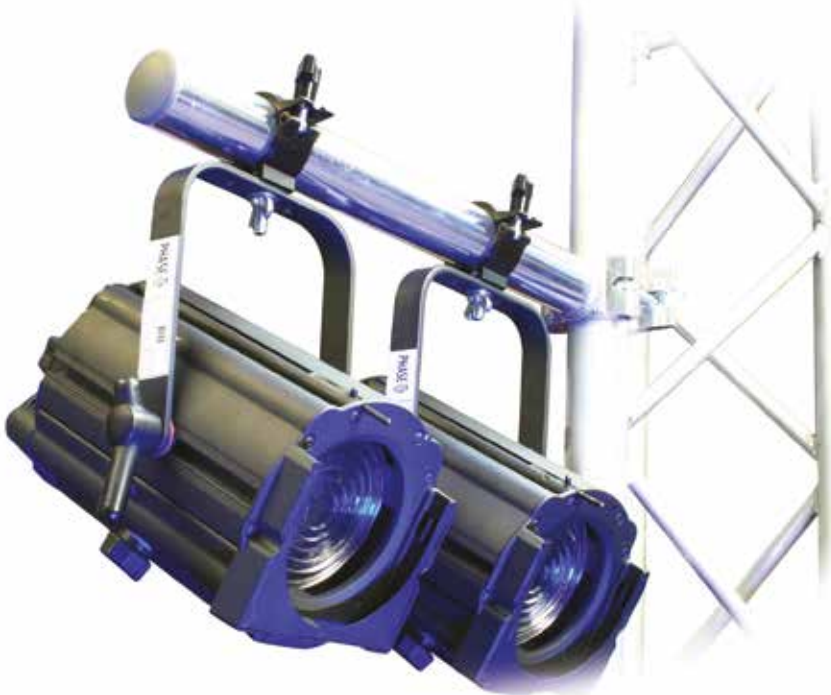
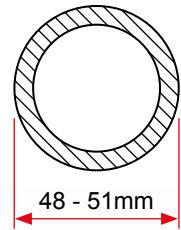


# Pipe to Pipe Couplers & Boom Arms

Doughty Engineering manufactures a large range of aluminium Boom Arms and Pipe to Pipe Couplers. Designed to fit 48 - 51mm tubes, these products are ideally suited to work with aluminium trusses and standard scaffold type bars.

Main features:

- Fits 48 - 51mm diameter tubes
- High tensile aluminium
- Special lengths available on request

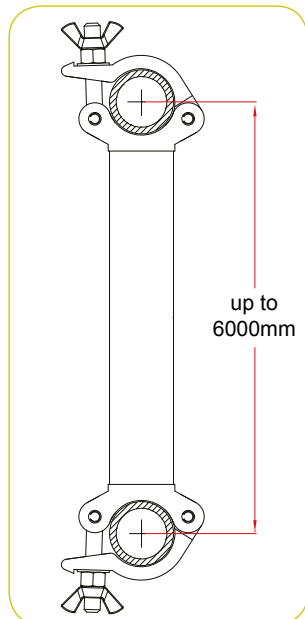




T57340 - 250mm ctrs  
 T57345 - 500mm ctrs  
 T57350 - 750mm ctrs  
 T57355 - 1000mm ctrs



T57360 - 250mm ctrs  
 T57365 - 500mm ctrs  
 T57370 - 750mm ctrs  
 T57375 - 1000mm ctrs



**Parallel Pipe to Pipe Coupler**

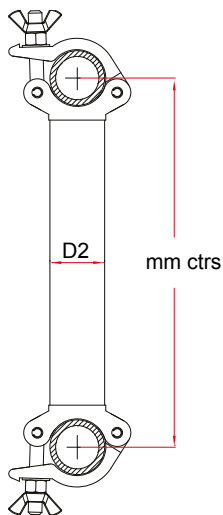
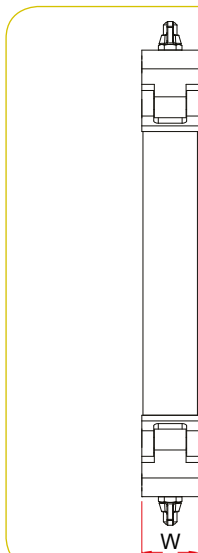
SWL	200 kg
D1	Ø48 - 51mm
D2	48mm
W	50mm
kg	See below

**90° Pipe to Pipe Coupler**

SWL	200 kg
D1	Ø48 - 51mm
D2	48mm
W	50mm
kg	See below

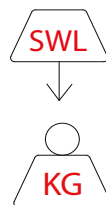
**Special Lengths**

Contact your nearest dealer



T57340 - 1.25 kg  
 T57345 - 1.70 kg  
 T57350 - 2.06 kg  
 T57355 - 2.50 kg

T57360 - 1.25 kg  
 T57365 - 1.70 kg  
 T57370 - 2.06 kg  
 T57375 - 2.50 kg



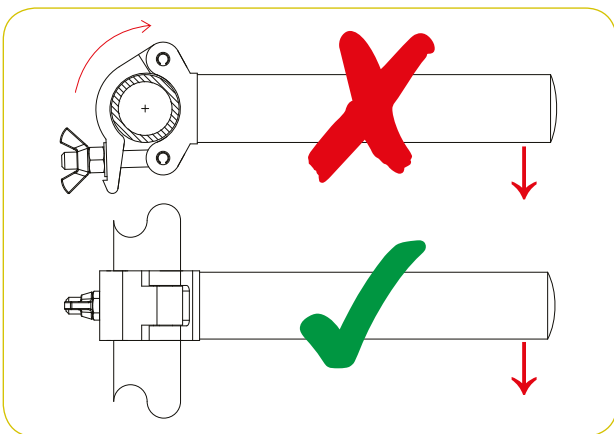


T57310 - Silver - 250mm  
 T57315 - Silver - 500mm  
 T57317 - Silver - 750mm  
 T57320 - Silver - 1000mm



T57311 - Black - 250mm  
 T57316 - Black - 500mm  
 T57318 - Black - 750mm  
 T57321 - Black - 1000mm

Boom Arms		
SWL	250mm	100 kg
SWL	500mm	50 kg
SWL	750mm	37 kg
SWL	1000mm	25 kg
D1	48 - 51mm	(2")
D2	48mm	(2")
W	50mm	(2")



Maximum Torque  
 30 N-m  
 22 lb-ft

mm

D1

D2

W

T57310 - 0.84 kg  
 T57315 - 1.24 kg  
 T57317 - 1.65 kg  
 T57320 - 2.50 kg  
 T57311 - 0.84 kg  
 T57316 - 1.24 kg  
 T57318 - 1.65 kg  
 T57321 - 2.50 kg

SWL

KG

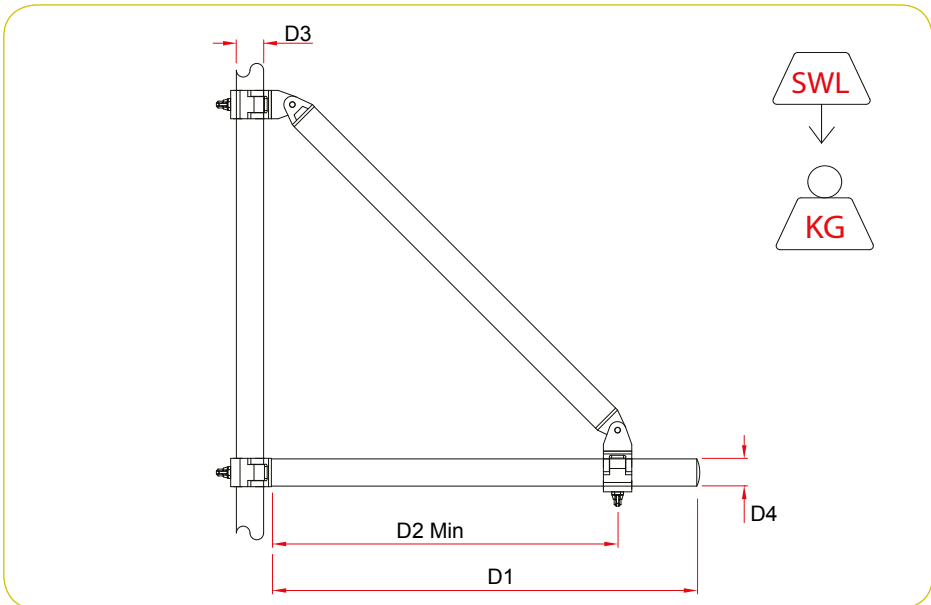
Braced Boom Arm	
SWL	100 kg
D1	1000mm
D2	750mm
D3	Ø48 - 51mm
D4	Ø48mm
kg	5.0 kg

**SWL 100 kg**

The Braced Boom Arm is ideal for flying heavy luminaires such as moving heads from vertical bars or trusses. The diagonal brace eliminates movement or flexing in the boom arm.

Manufactured with two articulating joints, most mounting situations can be accommodated.

Special sizes can be made to suit most applications.

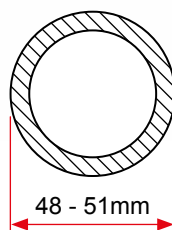


# Truss Adaptors

Truss Adaptors enable triangular and square truss sections to be mounted to any of the Doughty winch stand range. This system provides the means to lift truss sections into place safely. The range of Hanging Truss Adaptors have been designed to suspend truss sections with a chain hoist.

Main features:

- Provides a safe and secure means of lifting truss
- Adjustable to suit most truss sizes
- High tensile 6082-T6 aluminium couplers
- High quality silver powder coated

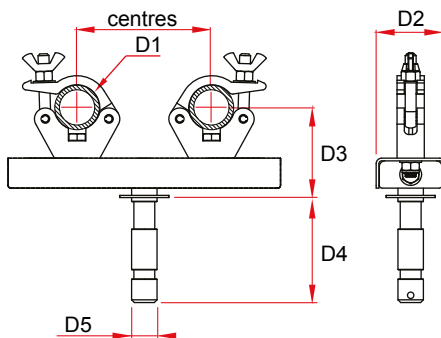
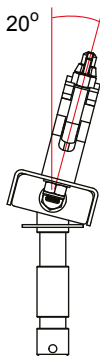


Swivel Truss Plate

SWL	200 kg
D1	Ø48 - 51mm
D2	76mm
D3	100mm
D4	115mm
D5	Ø28mm

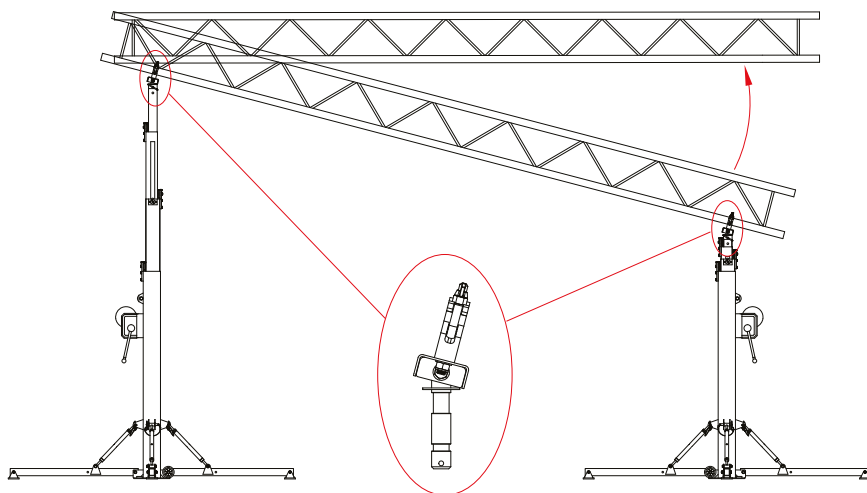


T55704 - 150 - 250mm ctrs  
T55705 - 200 - 400mm ctrs



Suitable for all triangular and square truss sections.

The Swivel Truss Plate allows one person to rig a truss between two winch stands. Each stand can be raised individually until the required height is achieved.





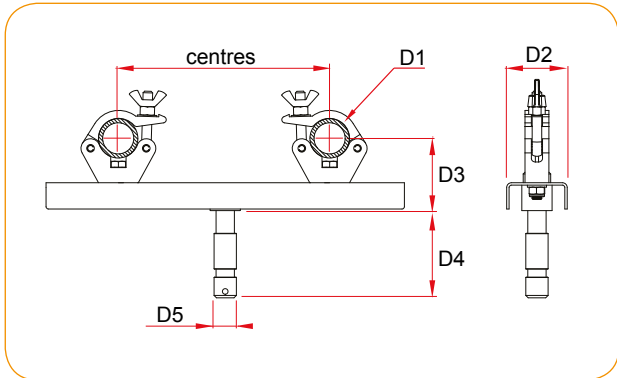
T57210 - 150 - 250mm ctrs  
T57211 - 200 - 400mm ctrs

**Fixed Truss Adaptor**

SWL	200 kg
D1	Ø48 - 51mm
D2	76mm
D3	91mm
D4	109mm
D5	Ø28mm

Suitable for all triangular and square truss sections.

The Fixed Truss Adaptor provides a firm fixing for more elaborate truss constructions. They are supplied with two slimline couplers.



**Ladder Truss Adaptor**

SWL	200 kg
D1	Ø48 - 51mm
D2	76mm
D3	Ø28mm

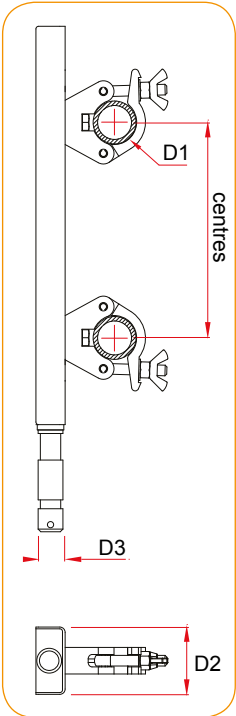
Suitable for all ladder truss sections.

The Ladder Truss Adaptor ensures the truss is in the optimum position for maximum loading.

Supplied with two slimline couplers.



T58700 - 150 - 250mm ctrs  
T58701 - 200 - 400mm ctrs

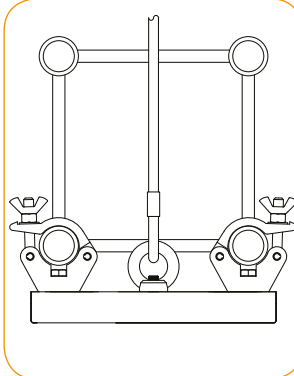
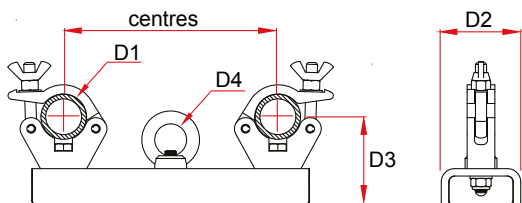




T57214 - 150 - 250mm ctrs  
T57219 - 200 - 400mm ctrs

### Hanging Truss Adaptor

SWL	200 kg
D1	Ø48 - 51mm
D2	76mm
D3	91mm
D4	Ø30mm



### HD Hanging Truss Adaptor

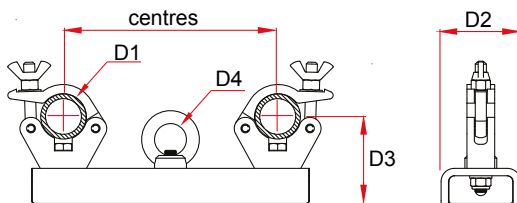
SWL	500 kg
D1	Ø48 - 51mm
D2	76mm
D3	91mm
D4	Ø30mm

The Heavy Duty Hanging Truss Adaptor has been designed specifically to suspend triangular and square sections with loads up to 500 kg.

The suspension point is an M12 eye nut rated to 500 kg.



T55710 - 150 - 250mm ctrs  
T55715 - 200 - 400mm ctrs

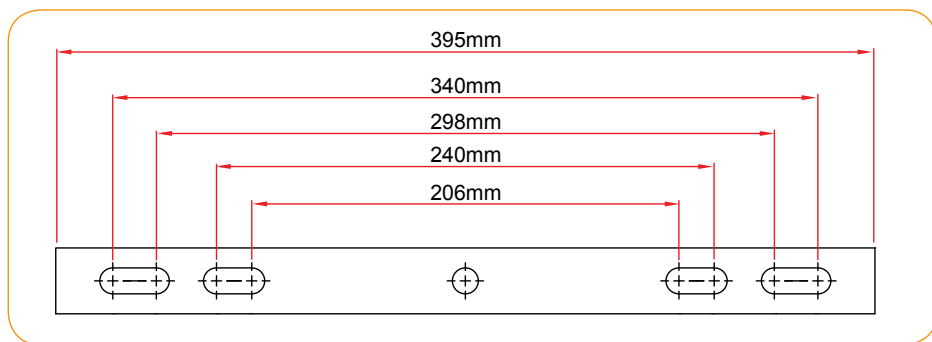




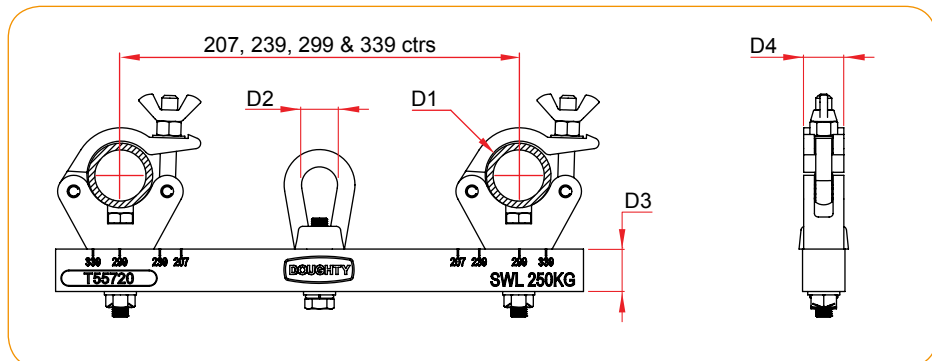
# Solid Truss Adaptors

## Main features:

- Provides a safe and secure means of lifting truss
- Slotted to allow minor adjustments
- High tensile solid 6082-T6 aluminium
- High quality powder coated



Solid Hanging Truss Adaptor	
250 Kg	
SWL	250 kg
D1	Ø48 - 51mm
D2	26mm
D3	31.75mm
D4	31.75mm
kg	2.30 kg



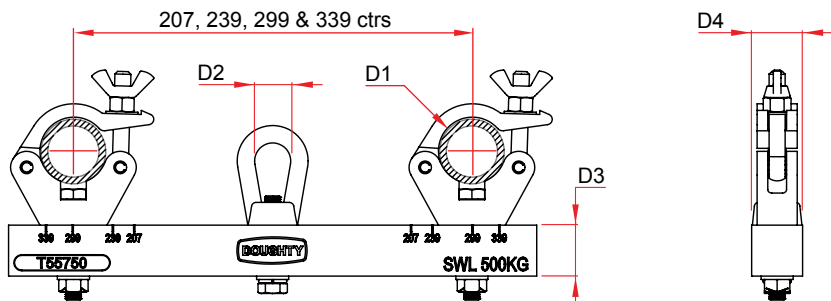


T55750 - Silver  
T55755 - Black

Solid Hanging Truss Adaptor

500 kg

SWL	500 kg
D1	Ø48 - 51mm
D2	26mm
D3	38.1mm
D4	38.1mm
kg	2.80 kg

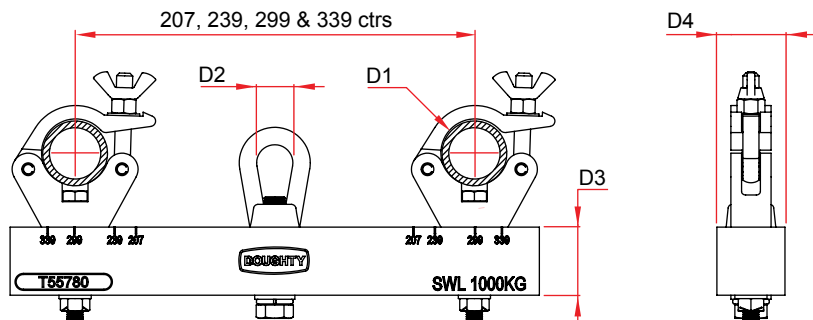


T55780 - Silver  
T55785 - Black

Solid Hanging Truss Adaptor

1000 kg

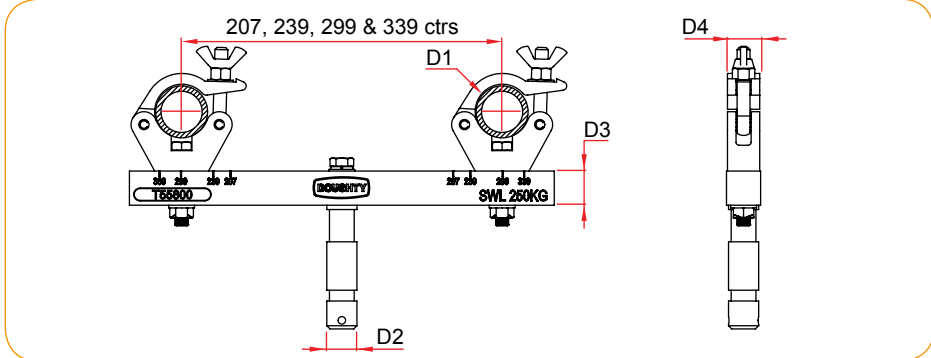
SWL	1000 kg
D1	Ø48 - 51mm
D2	26mm
D3	50.8mm
D4	50.8mm
kg	4.00 kg





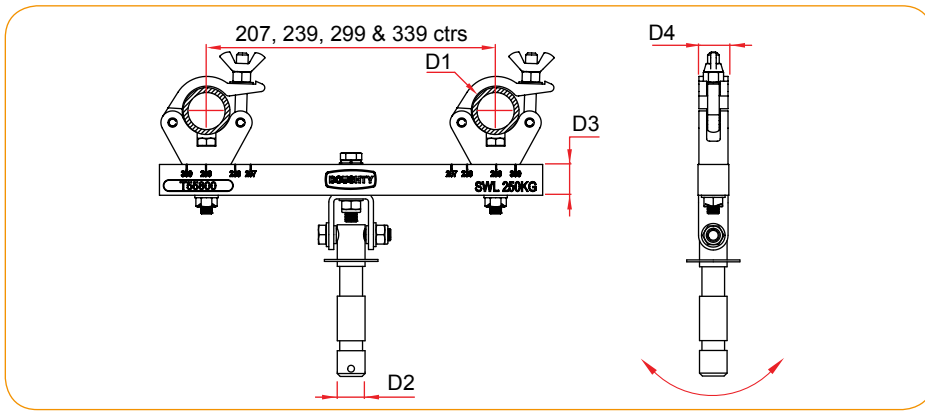
T55800 - Silver  
T55805 - Black

Solid Fixed Truss Adaptor	
250 Kg	
SWL	250 kg
D1	Ø48 - 51mm
D2	28mm
D3	31.75mm
D4	31.75mm
kg	2.20 kg



T55810 - Silver  
T55815 - Black

Solid Swivel Truss Adaptor	
250 Kg	
SWL	250 kg
D1	Ø48 - 51mm
D2	28mm
D3	31.75mm
D4	31.75mm
kg	3.00 kg



# Modular Rigging System

The modular rigging system uses 48mm diameter aluminium barrel in conjunction with a truss style conical coupling.

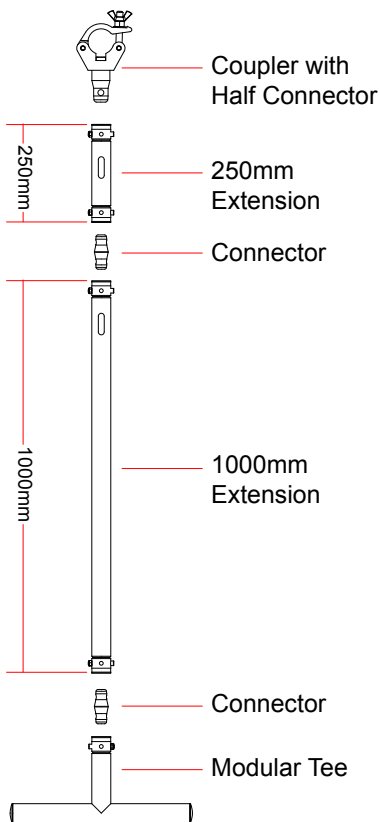
The system is designed as two parts - Modular Drop Arms which are single arms designed to be suspended with a coupler and 'H' Frames, which can be suspended or floor-standing with tank traps.



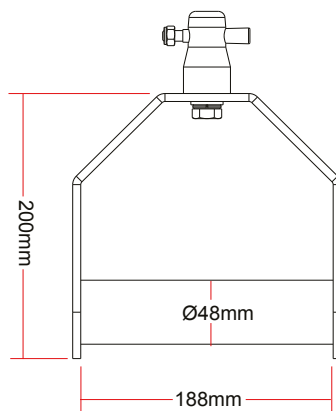


Supplied with Tapered Pins

Modular Rigging Extensions			SWL
T45775	250mm	Silver	100 kg
T45776	250mm	Black	100 kg
T45780	500mm	Silver	100 kg
T45781	500mm	Black	100 kg
T45785	1000mm	Silver	100 kg
T45786	1000mm	Black	100 kg
T45790	2000mm	Silver	100 kg
T45791	2000mm	Black	100 kg



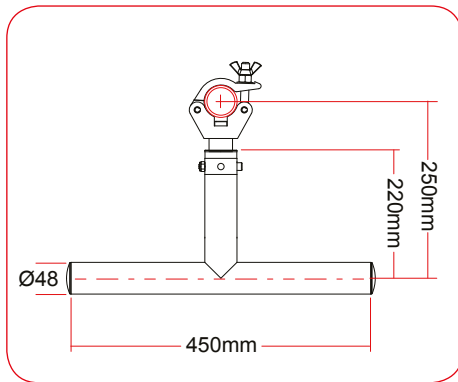
Supplied with Tapered Pin



Modular Stirrup			SWL
T45770	Modular Stirrup	Silver	100 kg
T45771	Modular Stirrup	Black	100 kg



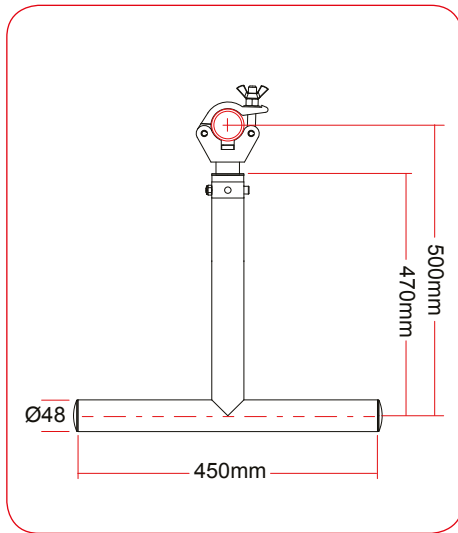
Supplied with Tapered Pin



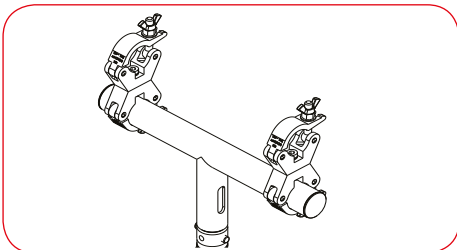
Small Modular Tee			SWL
T45760	Small Modular Tee	Silver	100 kg
T45761	Small Modular Tee	Black	100 kg



Supplied with Tapered Pin



Large Modular Tee			SWL
T45765	Large Modular Tee	Silver	100 kg
T45766	Large Modular Tee	Black	100 kg

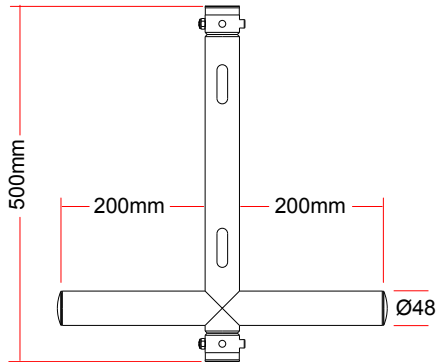


All Modular Rigging products are supplied with a slot for a secondary safety where applicable.

Modular Tee's can be used at the top of an assembly to create a more rigid suspension point.



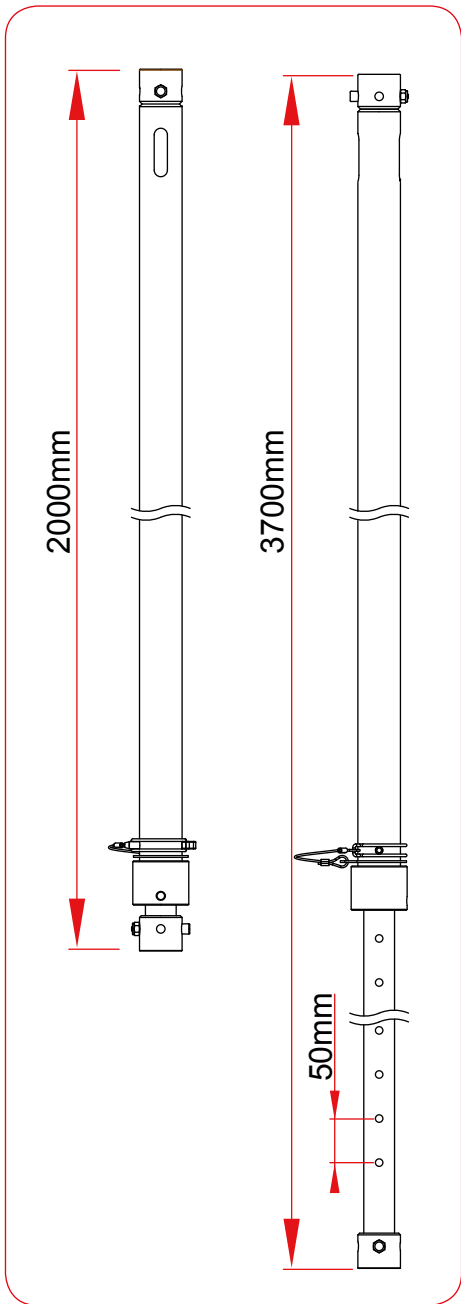
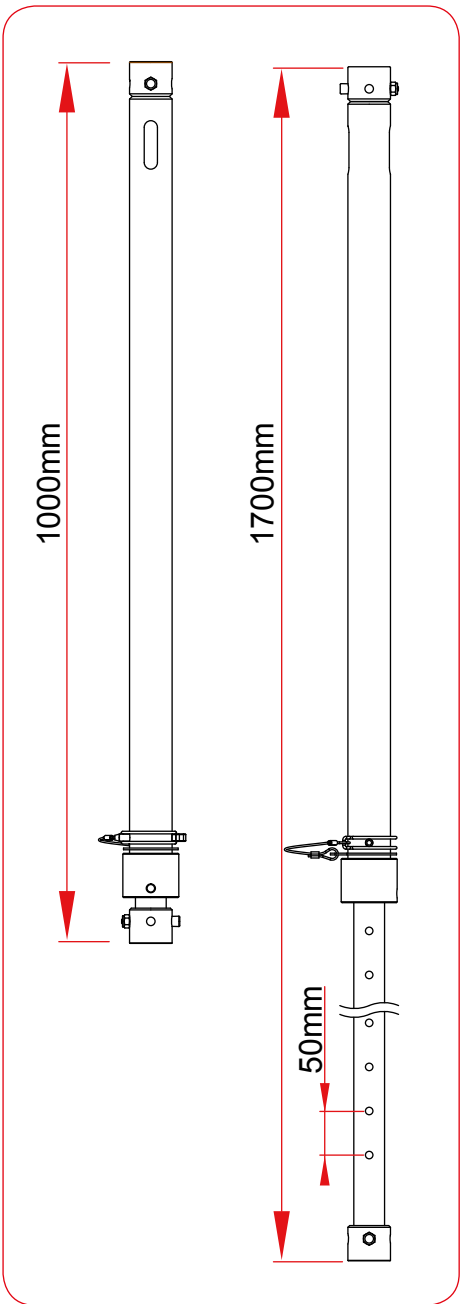
Supplied with Tapered Pins



**Modular Tee with Thru Connector**

**SWL**

T45767	Modular Tee with Thru Connector	Silver	100 kg
T45768	Modular Tee with Thru Connector	Black	100 kg



**Adjustable Extension 1.0 - 1.7m**

T45795	Silver	100 kg
T45796	Black	100 kg

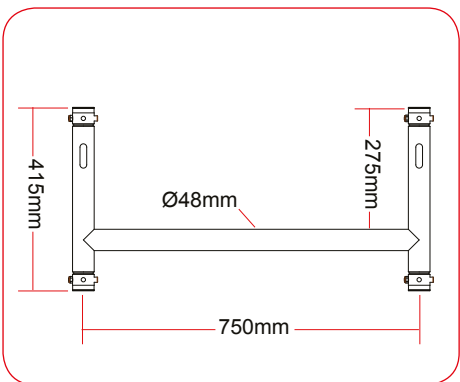
**Adjustable Extension 2.0 - 3.7m**

T45797	Silver	100 kg
T45798	Black	100 kg





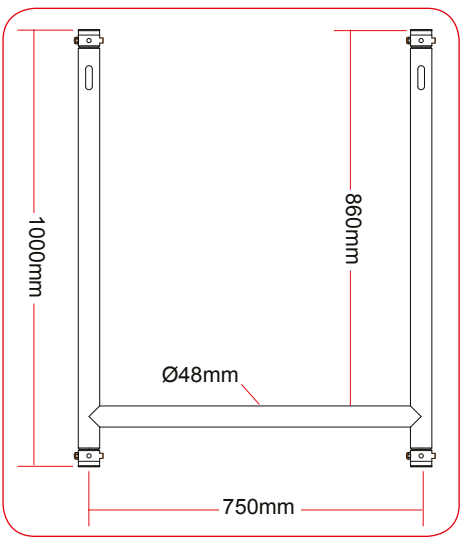
Supplied with Tapered Pins



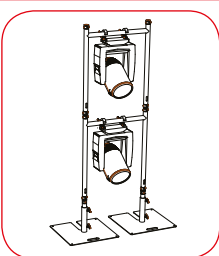
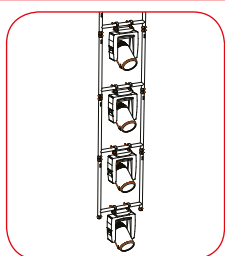
Small 'H' Frame			SWL
T45900	Small 'H' Frame	Silver	200 kg
T45901	Small 'H' Frame	Black	200 kg

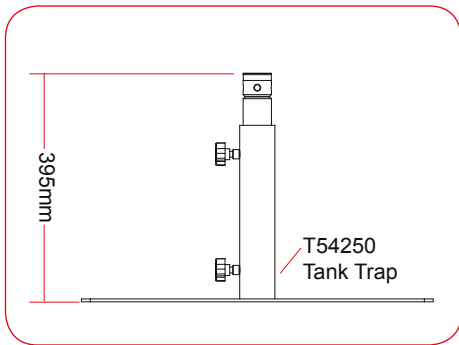


Supplied with Tapered Pins



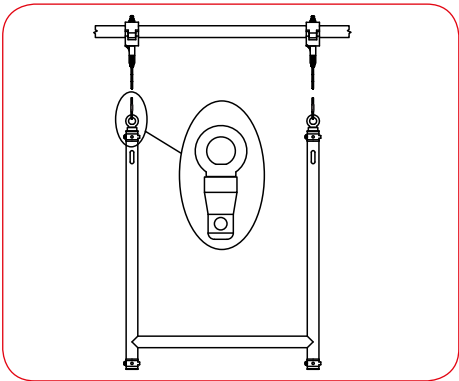
Large 'H' Frame			SWL
T45910	Large 'H' Frame	Silver	200 kg
T45911	Large 'H' Frame	Black	200 kg





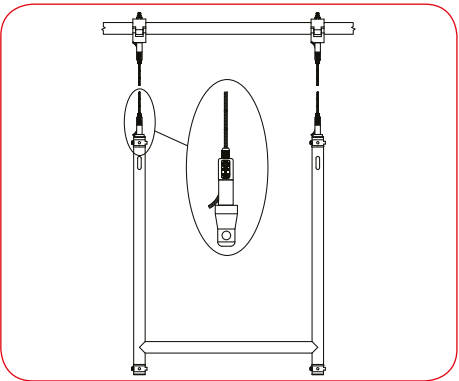
**Tank Trap Adaptor**

T45757	Tank Trap Adaptor	Silver
T45758	Tank Trap Adaptor	Black



**Half Connector with Eye - SWL 100 kg**

T45745	Half Connector with Eye	Silver
--------	-------------------------	--------



**Half Connector with Cable Holder - SWL 80/130 kg**

T45747	Half Connector fitted with T37653 Cable Holder to suit 4 & 5mm Wire	Silver
--------	---	--------



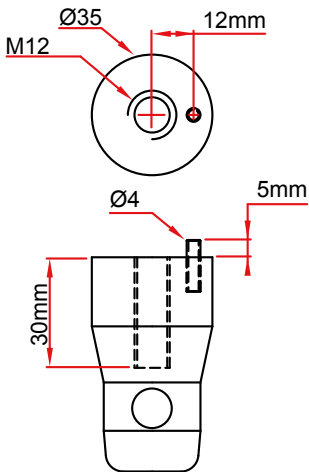
Spigot & Half Connector

T45752 fitted with a 28mm Spigot



3 Point Receiver & Half Connector

T45751 accepts 28mm Spigots



M12 Half Connector

T45750 M12 Aluminium Half Connector with Roll Pin





**Safety Bond with Quick Link**

T45850	650mm - SWL 100 kg	Silver
T45851	650mm - SWL 100 kg	Black

**Safety Bond with Moving Light Hook**

T45855	650mm - SWL 36 kg	Silver
T45856	650mm - SWL 36 kg	Black

These bonds are the optimum length to pass through the safety slot and around a barrel or truss chord when suspended with a clamp/ coupler.

These bonds have been designed to work with most moving lights. Their length has been calculated to leave minimum slack wire rope.



**Connector**

T45755
--------

**Tapered Pin and Nut**

T45756
--------



**Doughty Clamp & Half Connector**

T45800	Silver	fits Ø 48-51mm
T45801	Black	SWL 100 kg



**Low Profile Clamp & Half Connector**

T45810	Silver	fits Ø 48-51mm
T45811	Black	SWL 100 kg



**Lightweight Clamp & Half Connector**

T45815	Silver	fits Ø 48-51mm
T45816	Black	SWL 100 kg



**Mammoth Clamp & Half Connector**

T45820	Silver	fits Ø 60-63mm
T45821	Black	SWL 100 kg



**Trigger Clamp & Half Connector**

T45825	Silver	fits Ø 48-51mm
T45826	Black	SWL 100 kg



**Quick Trigger & Half Connector**

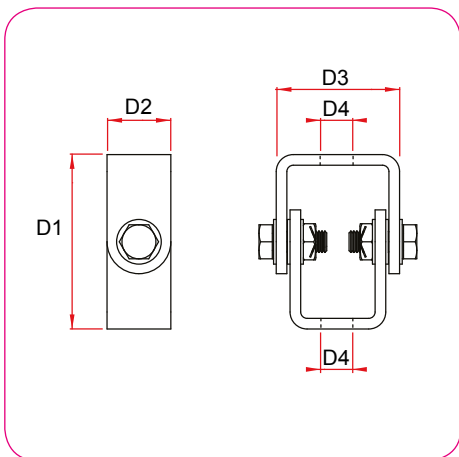
T45830	Silver	fits Ø 38-51mm
T45831	Black	SWL 100 kg

# Suspension Clamps

The Doughty range of Suspension Clamps is a range of steel bracketry manufactured predominantly from flat steel bar. This range can be used to suspend truss and tubes as well as flying luminaires from the steel boom arms.

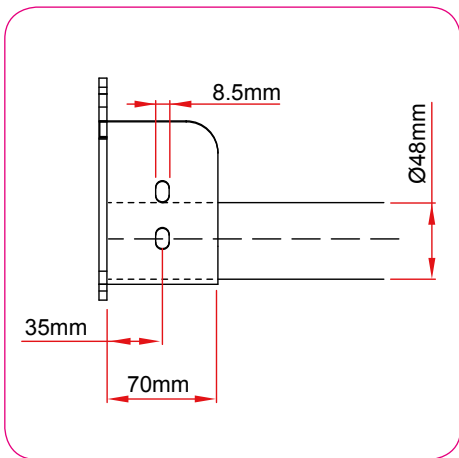
Manufactured and tested in our UK factory, quality is assured.





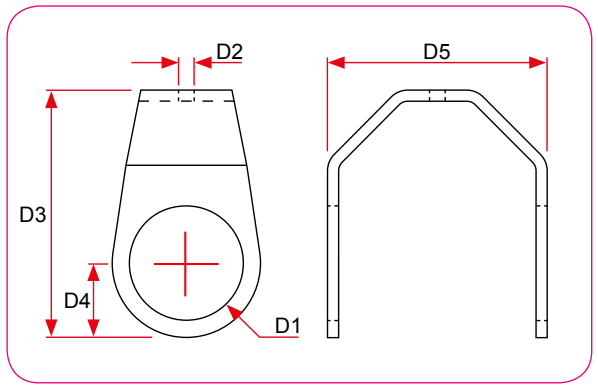
**Universal Joint**

	SWL	D1	D2	D3	D4	kg
T30410	100 kg	82mm	30mm	58mm	Ø12.5mm	0.38 kg



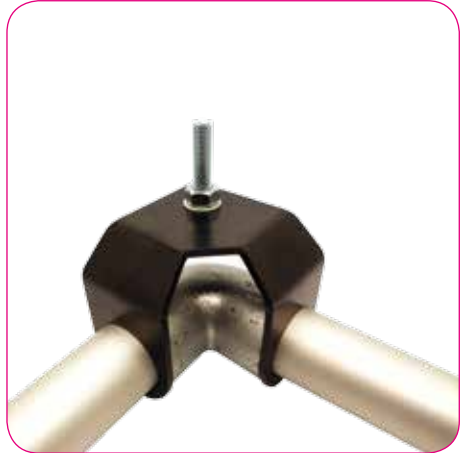
**Wall Hanger**

T30408	Silver	SWL 100 kg
T30409	Black	SWL 100 kg



**Grid Hanger**

	SWL	D1	D2	D3	D4	D5	kg
T30405	200 kg	Ø50mm	Ø13mm	107.5mm	32.5mm	96mm	0.35 kg
T30406 - Black	200 kg	Ø50mm	Ø13mm	107.5mm	32.5mm	96mm	0.35 kg

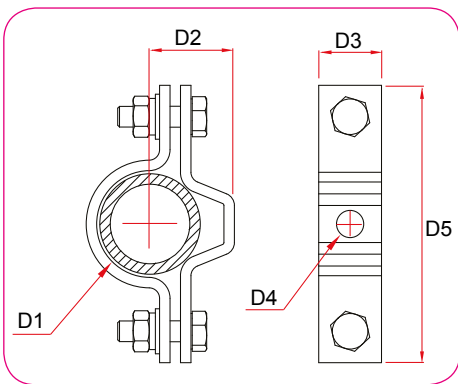


**Corner Grid Hanger**

T30407 - Black	SWL 200 kg
----------------	------------

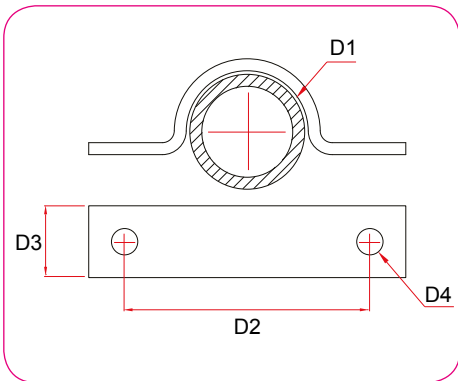
Can be used with T12500 Pipeclamp Elbow and Ø48mm barrel/scaffold tube.





### Universal Clamps

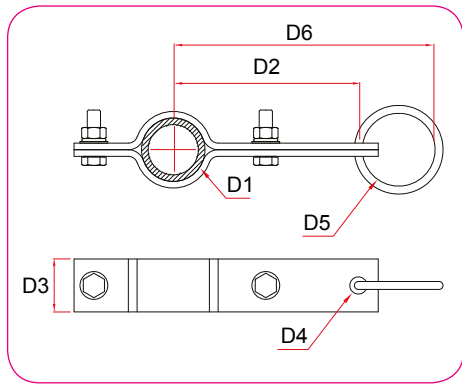
	SWL	D1	D2	D3	D4	D5	kg
T30400	200 kg	Ø48mm	40mm	30mm	Ø13mm	135mm	0.43 kg
T30404 - Black	200 kg	Ø48mm	40mm	30mm	Ø13mm	135mm	0.43 kg
T30401	150 kg	Ø38mm	30mm	25mm	Ø9mm	115mm	0.30 kg
T30402	100 kg	Ø25mm	22mm	20mm	Ø7mm	83mm	0.30 kg



### Saddle Clamps

	SWL	D1	D2	D3	D4	kg
T30800	200 kg	Ø48mm	102mm	30mm	11mm	0.21 kg
T30801 - Black	200 kg	Ø48mm	102mm	30mm	11mm	0.21 kg
T30804	150 kg	Ø38mm	84mm	25mm	8.5mm	0.13 kg
T30806	150 kg	Ø25mm	70mm	20mm	7mm	0.05 kg



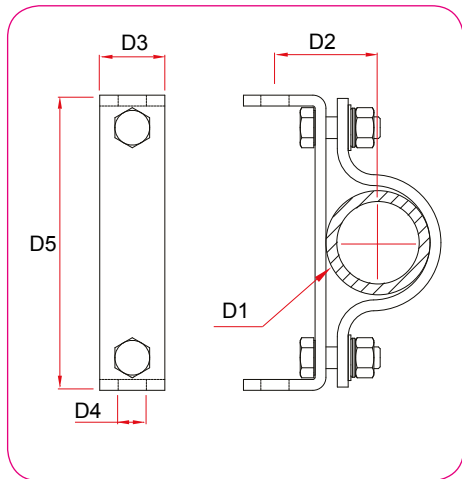


**Hanging Clamps (to suit Shackles)**

	SWL	D1	D2	D3	D4	kg
T32100	100 kg	Ø48mm	140mm	40mm	13mm	0.84 kg
T32102	100 kg	Ø38mm	85mm	25mm	9mm	0.33 kg
T32103	100 kg	Ø25mm	65mm	20mm	9mm	0.14 kg

**Hanging Clamp (with ring)**

	SWL	D1	D3	D5	D6	kg
T32000	100 kg	48mm	40mm	50mm	200mm	0.86 kg
T32001 - Black	100 kg	48mm	40mm	50mm	200mm	0.86 kg
T32002	100 kg	38mm	25mm	40mm	130mm	0.34 kg



**Stud Hanger**

	SWL	D1	D2	D3	D4	D5	kg
T30300	100 kg	Ø48mm	48mm	30mm	13mm	160mm	0.50 kg

## Steel Boom Arms



**Boom Arm**

T30500 - Silver

T30501 - Black



**T30600 - Boom Arm Straight**

T30600 - Silver

T30601 - Black



**Boom Arm (with safety point)**

T31500 - Silver

T31501 - Black



**Boom Arm Straight (with safety point)**

T31600 - Silver

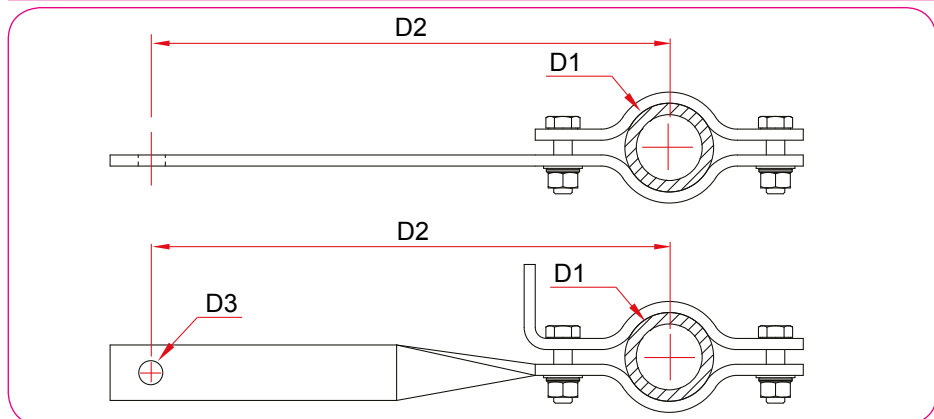
T31601 - Black



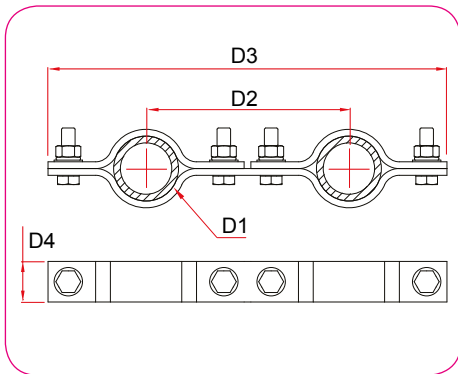
## Double Boom Arm Standard

T31700 - Silver

T31701 - Black

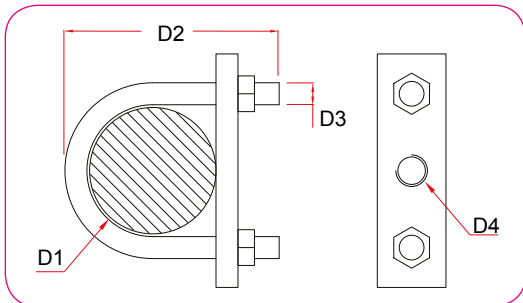


	SWL	D1	D2	D3	kg
T30500/1	12 kg	Ø48mm	280mm	13mm	0.83 kg
T30600/1	12 kg	Ø48mm	280mm	13mm	0.88 kg
T31500/1	12 kg	Ø48mm	280mm	13mm	0.83 kg
T31600/1	12 kg	Ø48mm	280mm	13mm	0.88 kg
T31700/1	12 kg	Ø48mm	280mm x 2	13mm	1.11 kg



### Pipe to Pipe Clamps

	SWL	D1	D2	D3	D4	kg
T30700	220 kg	Ø48mm	150mm	300mm	30mm	0.83 kg
T30900	220 kg	Ø48mm	225mm	375mm	30mm	0.97 kg
T31000	220 kg	Ø48mm	300mm	450mm	30mm	1.10 kg



### "U" Bolts with Threaded Plate

	SWL	D1	D2	D3	D4	kg
T32400	140 kg	Ø32mm	62mm	M8	M10	0.15 kg
T32500	140 kg	Ø32mm	62mm	M8	M12	0.15 kg
T33400	140 kg	Ø48mm	78mm	M8	M10	0.19 kg
T33500	140 kg	Ø48mm	78mm	M8	M12	0.19 kg



#### 'U' Bolts

T56500	32mm
T56600	48mm

#### Arches for "U" Bolt

T56800	To suit 48mm "U" Bolts
T56900	'U' Bolt Assembly (T56600 + T56800)

#### Extension Plate

T33600	30 x 5 x 265mm
--------	----------------

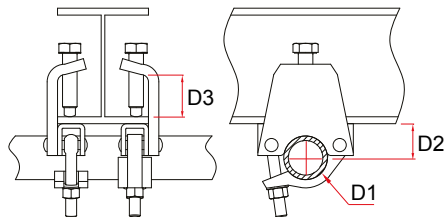
# Girder Clamps

The Doughty Girder Clamp range is a comprehensive range of steel bracketry designed specifically to mount on to structural girders/beams often used to suspend loads.



Please note: All parts shown with a SWL are tested under factory conditions in a horizontal plane with the load straight down unless specified otherwise. For parts used in a different orientation we would strongly advise that they are tested after installation by a competent person & a SWL issued by them.

Always remember - Any rigging product or combination of rigging products is only as strong as its weakest, or lowest SWL rated, parts.

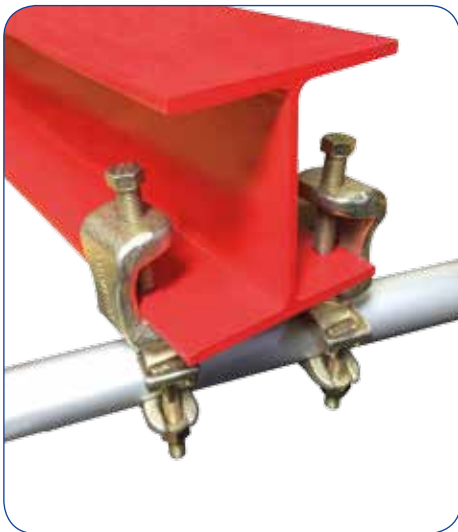


NOTE: MUST BE USED IN PAIRS



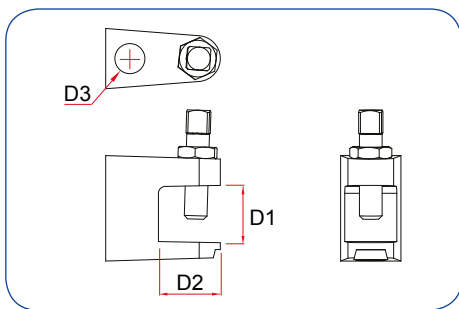
Gravlock Coupler - Pair

	SWL	D1	D2	D3	kg
T29497	600 kg	Ø48mm	38mm	0 - 45mm	3.00 kg



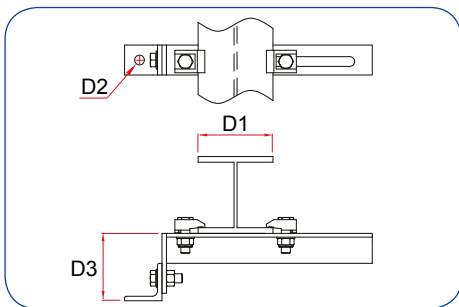
Gravlock Swivel Coupler

	SWL	D1	D2	D3	kg
T29498	600 kg	Ø48mm	58mm	0 - 45mm	3.00 kg



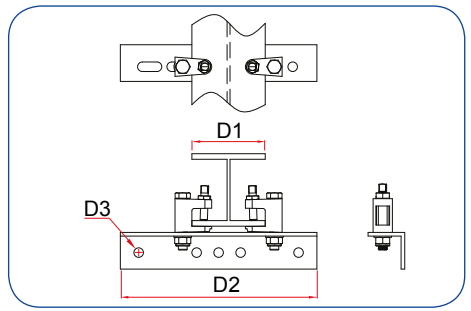
### Lindapter Flange Clamp

	SWL	D1	D2	D3	kg
T29700	300 kg	25mm	25mm	13mm	0.20 kg



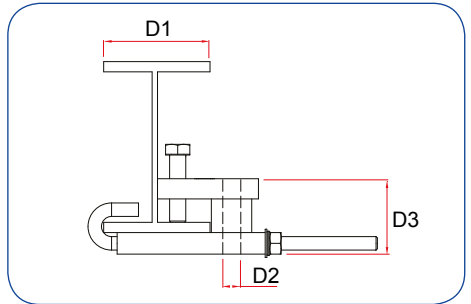
### Girder Clamp with End Bracket

	SWL	D1	D2	D3	kg
T29804	60 kg	100 - 180mm	13mm	90mm	1.36 kg
T29805	60 kg	180 - 280mm	13mm	90mm	1.64 kg
T29806	60 kg	230 - 380mm	13mm	90mm	1.66 kg



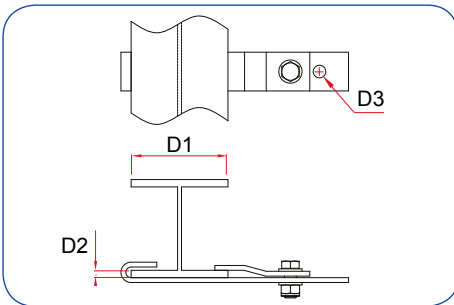
### Adjustable Girder Clamp

	SWL	D1	D2	D3	kg
T29500	500 kg	75 - 150mm	268mm	13mm	1.19 kg
T29600	500 kg	150 - 300mm	445mm	13mm	2.0 kg



### Adjustable Girder Clamp Light Duty

	SWL	D1	D2	D3	kg
T29800	250 kg	100 - 150mm	13mm	56mm	1.19 kg
T29801	250 kg	150 - 200mm	13mm	56mm	1.30 kg



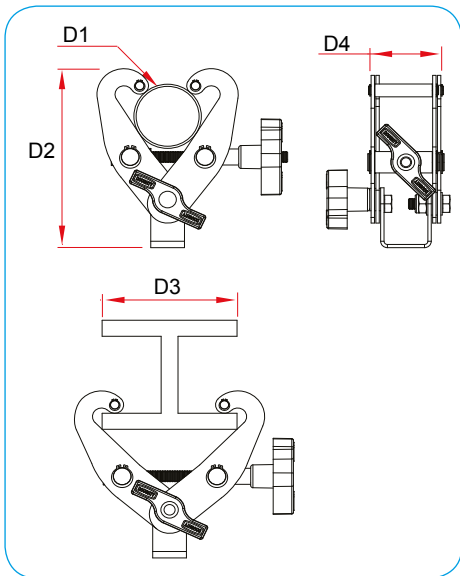
### Pressed Girder Bracket

	SWL	D1	D2	D3	kg
T29810	3 kg	<125mm	10mm	16mm	0.64 kg



# Scissor Clamps

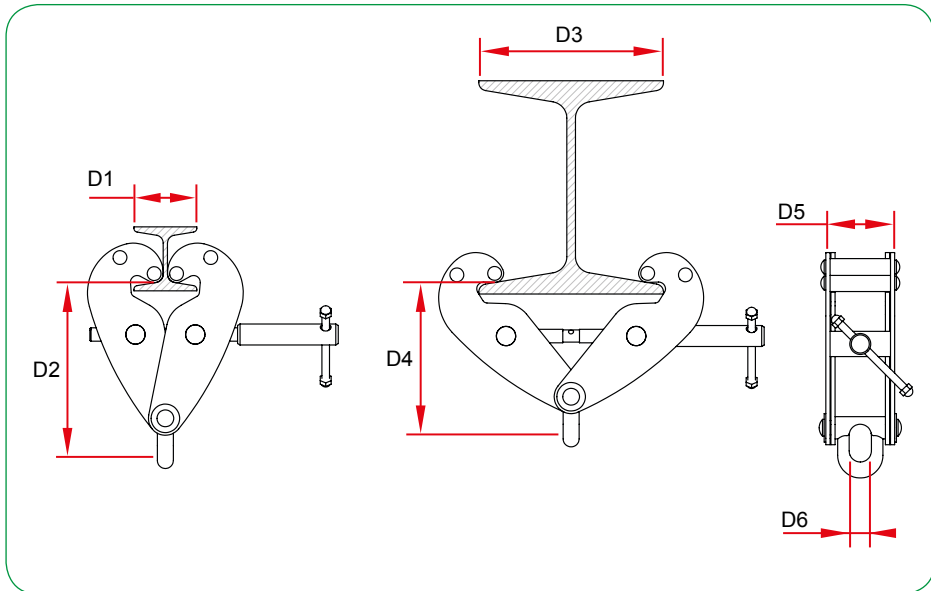
The Scissor Clamp is available in two sizes, Light Duty with a SWL of 100 kg & Heavy Duty with a SWL of 250 kg. This clamp has been designed to clamp to beams and tubes and has a black powder paint finish.



Scissor Clamps						
	SWL	D1	D2	D3	D4	kg
T29850	100 kg	48 - 60mm	170mm	<120mm	62mm	1.40 kg
T29860	250 kg	48 - 60mm	170mm	<120mm	74mm	1.90 kg

# Beam Clamp

An all steel clamp for attaching to steel beams providing a quick versatile rigging point. This beam clamp is manufactured with a forged steel attachment eye.



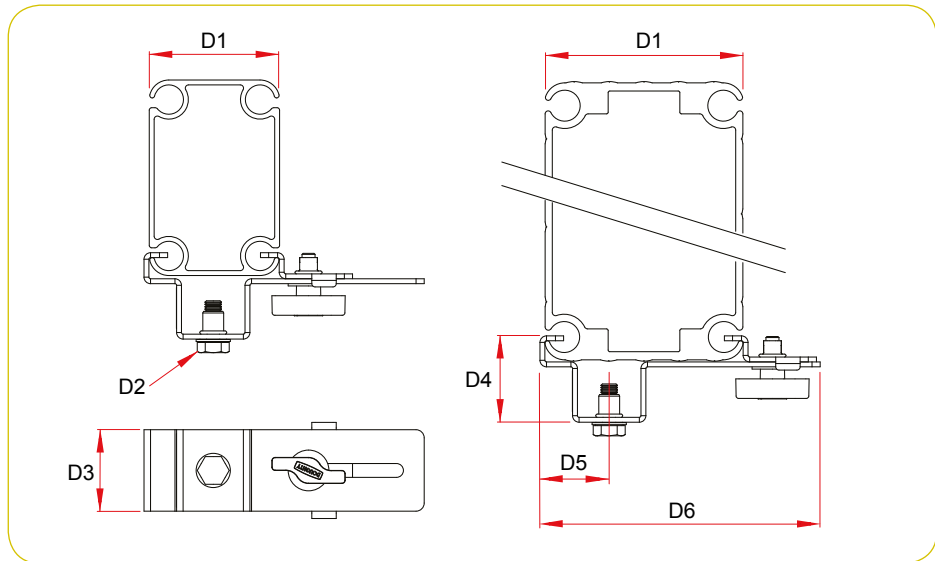
Beam Clamp								
	SWL	D1	D2	D3	D4	D5	D6	kg
T29870	1000 kg	75mm	202mm	<220mm	177mm	82mm	27mm	5.0 kg

# Marquee Clamps

The range of Marquee Clamps are adjustable specifically designed for use with clear span marquees using grooved aluminium Kader style beams.



SWL 20 Kg

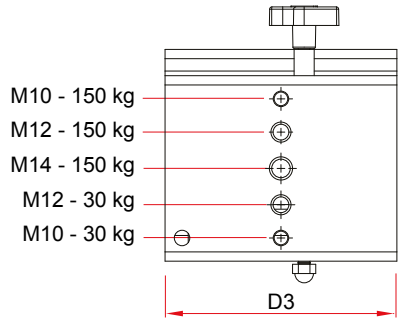
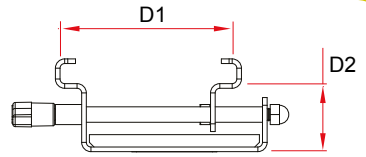


## Light Duty Marquee Clamp

	SWL	D1	D2	D3	D4	D5	D6	kg
T28865	20 kg	80 - 125mm	M10	50mm	53mm	40mm	172mm	0.5 kg



SWL 150 Kg

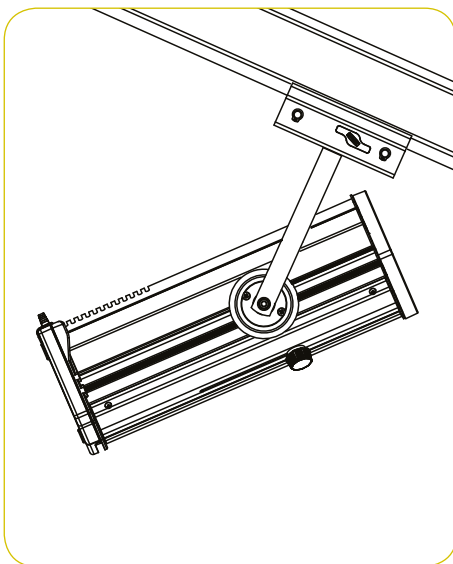
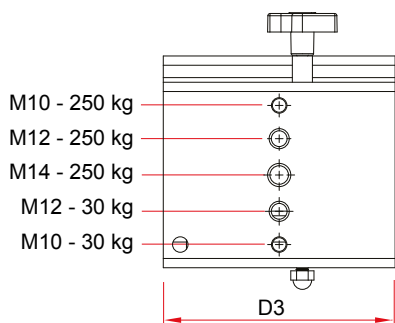
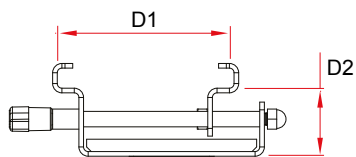


Standard Marquee Clamp

	SWL	D1	D2	D3	kg
T28870	<150 kg	50 - 110mm	44mm	150mm	1.30 kg



SWL 250 Kg



Heavy Duty Marquee Clamp

	SWL	D1	D2	D3	kg
T28875	<250 kg	50 - 150mm	47mm	200mm	3.60 kg

# Hook Clamps

The standard range of Hook Clamps includes clamps to suit tube diameters from 20mm to 75mm. Manufactured from high quality steel, these clamps are simple to use and extremely strong.

They are available in a bright zinc plate finish or black powder paint and virtually any size hook clamp can be made to your specification upon request.





T20100 - Silver  
T20101 - Black



T20104 - Silver  
T2010401 - Black

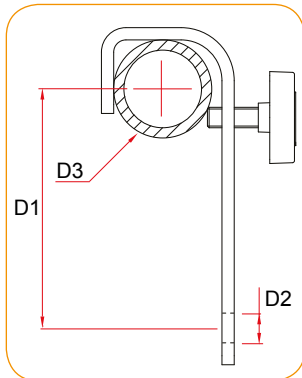
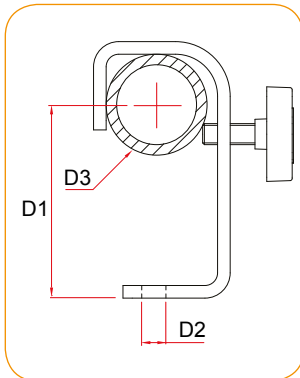
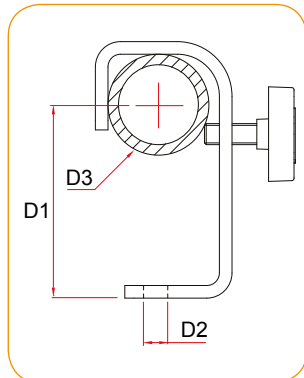
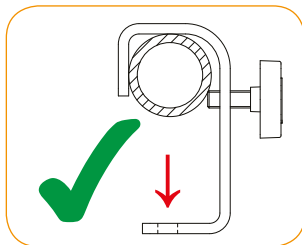
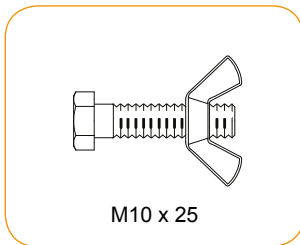
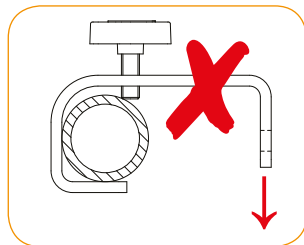


T20107 - Silver  
T2010701 - Black

Hook Clamp 50mm	
SWL	40 kg
D1	95mm
D2	13mm
D3	Ø48 - 51mm
Width	25mm
kg	0.32 kg

Hook Clamp c/w Fixings	
SWL	40 kg
D1	95mm
D2	13mm
D3	Ø48 - 51mm
Width	25mm
kg	0.32 kg

Hook Clamp Straight Back	
SWL	40 kg
D1	115mm
D2	13mm
D3	Ø48 - 51mm
Width	25mm
kg	0.33 kg





T20105 - Silver  
T2010501 - Black



T20102 - Silver



T20400 - Silver  
T20401 - Black

**Hook Clamp Single-Ended**

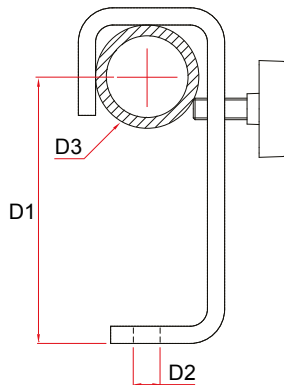
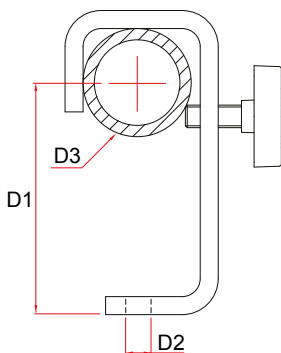
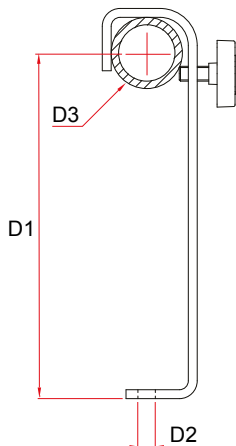
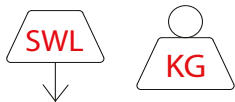
SWL	40 kg
D1	233mm
D2	13mm
D3	Ø48 - 51mm
Width	25mm
kg	0.48 kg

**50mm Medium Duty**

SWL	100 kg
D1	103mm
D2	13mm
D3	Ø48 - 51mm
Width	25mm
kg	0.43 kg

**50mm Heavy Duty**

SWL	150 kg
D1	124mm
D2	13mm
D3	Ø48 - 51mm
Width	50mm
kg	0.88 kg







T20900 - Silver  
T20901 - Black



T21100 - Silver  
T21101 - Black

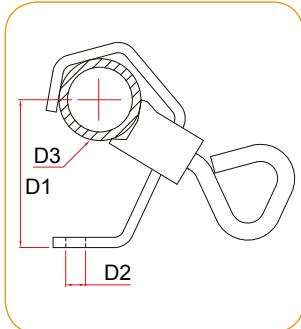
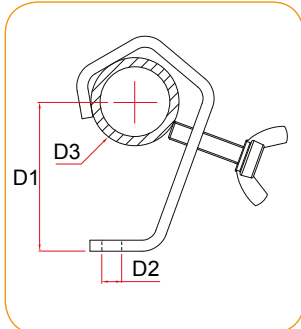
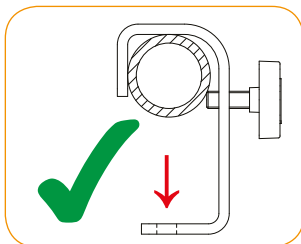
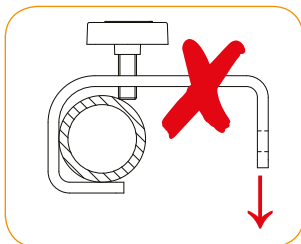
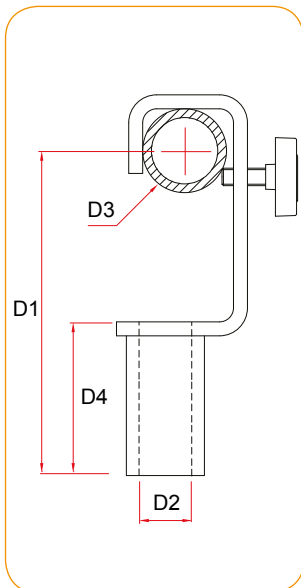


T21800 - Silver  
T21801 - Black

Hook Clamp TV Spec	
SWL	150 kg
D1	186mm
D2	29mm
D3	Ø48 - 51mm
D4	88mm
Width	50mm
kg	1.42 kg

Hook Clamp Universal	
SWL	40 kg
D1	80mm
D2	13mm
D3	Ø25 - 51mm
Width	25mm
kg	0.29 kg

Truss Type Universal	
SWL	40 kg
D1	80mm
D2	13mm
D3	Ø48 - 51mm
Width	25mm
kg	0.38 kg





T20405 - Black



T20212



T20210

Universal Heavy Duty

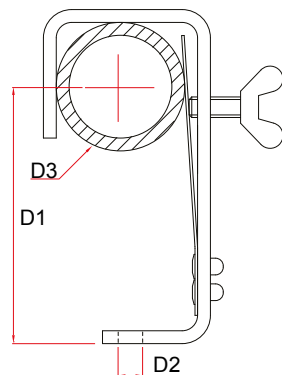
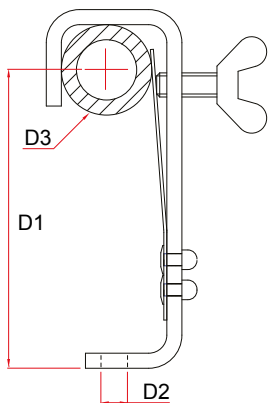
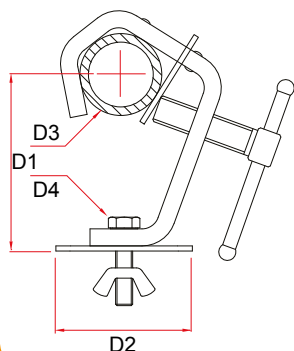
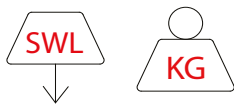
SWL	150 kg
D1	100mm
D2	Ø80mm
D3	Ø38 - 51mm
D4	M10 x 45
Width	50mm
kg	1.16 kg

30mm c/w Protector Strip

SWL	25 kg
D1	100mm
D2	10mm
D3	Ø30mm
Width	25mm
kg	0.20 kg

50mm c/w Protector Strip

SWL	25 kg
D1	100mm
D2	10mm
D3	Ø48 - 51mm
Width	25mm
kg	0.26 kg





T20000



T20301



T20200 - Silver  
T20201 - Black

Hook Clamp 18mm Light Duty

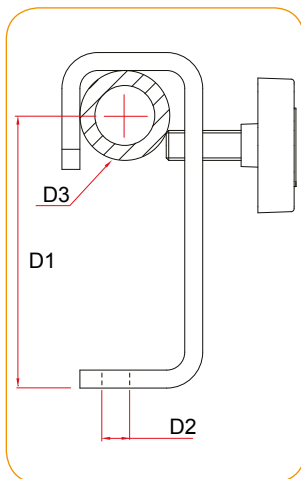
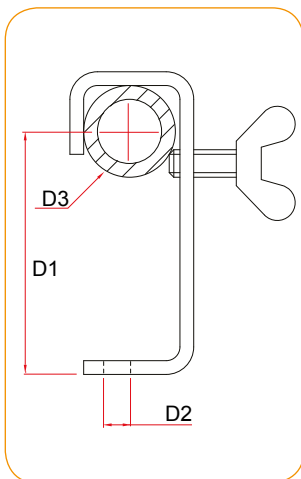
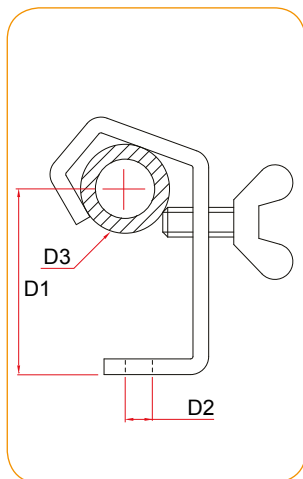
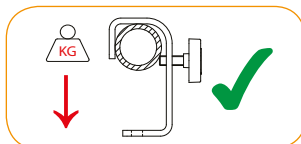
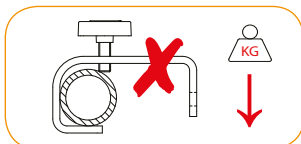
SWL	2 kg
D1	37mm
D2	7mm
D3	Ø18mm
Width	20mm
kg	0.03 kg

Hook Clamp 20mm

SWL	15 kg
D1	53mm
D2	7mm
D3	Ø20mm
Width	20mm
kg	0.07 kg

Hook Clamp 30mm

SWL	15 kg
D1	91mm
D2	13mm
D3	Ø30mm
Width	25mm
kg	0.30 kg





T20103 - Silver  
T2010301 - Black



T21805 - Silver  
T2180501 - Black



T21810 - Silver  
T2181001 - Black

**Hook Clamp 50mm Light Duty**

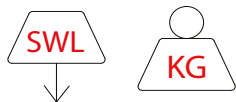
SWL	2 kg
D1	80mm
D2	11mm
D3	Ø48 - 51mm
Width	20mm
kg	0.11 kg

**Hook Clamp 75mm**

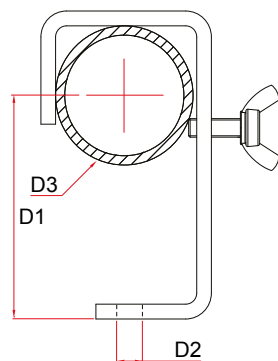
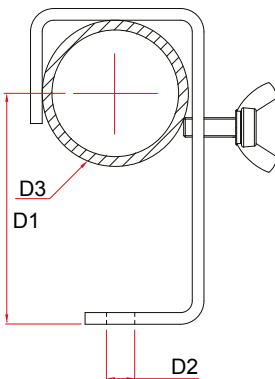
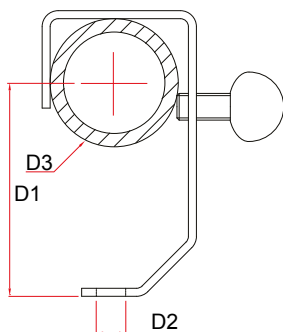
SWL	50 kg
D1	120mm
D2	13mm
D3	Ø75mm
Width	30mm
kg	0.38 kg

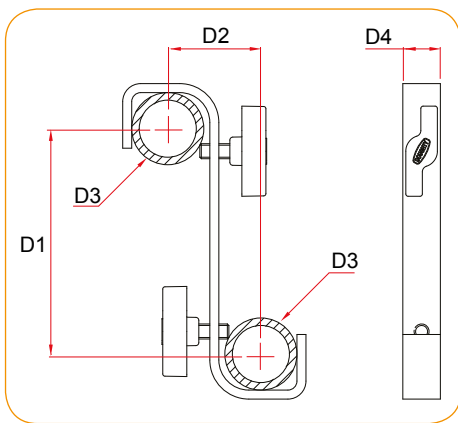
**Hook Clamp 75mm Heavy Duty**

SWL	150 kg
D1	120mm
D2	13mm
D3	Ø75mm
Width	50mm
kg	1.08 kg



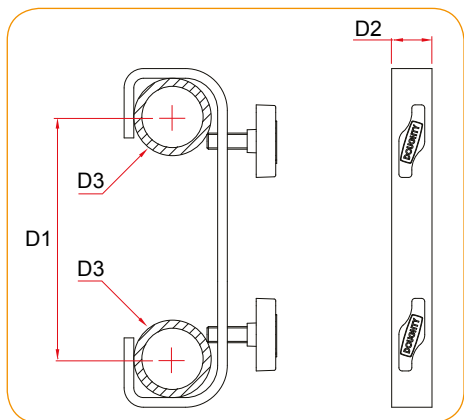
**Special  
Hook Clamps  
Made to Order**





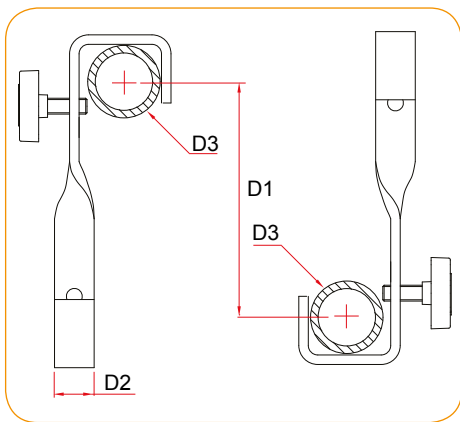
**Double Ended 180° Twist Hook Clamp**

	SWL	D1	D2	D3	D4	kg
T19700	40 kg	150mm	60mm	Ø48 - 51mm	25mm	0.50 kg
T19800	40 kg	225mm	60mm	Ø48 - 51mm	25mm	0.58 kg
T19900	40 kg	300mm	60mm	Ø48 - 51mm	25mm	0.67 kg
T19905	40 kg	450mm	60mm	Ø48 - 51mm	25mm	0.89 kg
T19910	40 kg	600mm	60mm	Ø48 - 51mm	25mm	1.09 kg



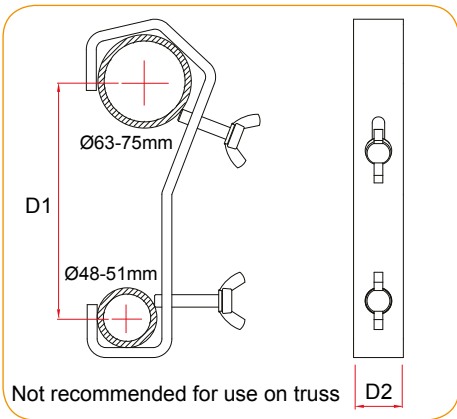
**Double Ended Parallel Hook Clamp**

	SWL	D1	D2	D3	kg
T20500	40 kg	150mm	25mm	Ø48 - 51mm	0.50 kg
T20600	40 kg	225mm	25mm	Ø48 - 51mm	0.58 kg
T20700	40 kg	300mm	25mm	Ø48 - 51mm	0.67 kg
T20705	40 kg	450mm	25mm	Ø48 - 51mm	0.89 kg
T20710	40 kg	600mm	25 mm	Ø48 - 51mm	1.09 kg



Hook Clamp Double-Ended 90° Twist

	SWL	D1	D2	D3	kg
T21500	40 kg	150mm	25mm	Ø48 - 51mm	0.50 kg
T21600	40 kg	225mm	25mm	Ø48 - 51mm	0.58 kg
T21700	40 kg	300mm	25mm	Ø48 - 51mm	0.67 kg
T21705	40 kg	450mm	25mm	Ø48 - 51mm	0.89 kg
T21710	40 kg	600mm	25mm	Ø48 - 51mm	1.09 kg

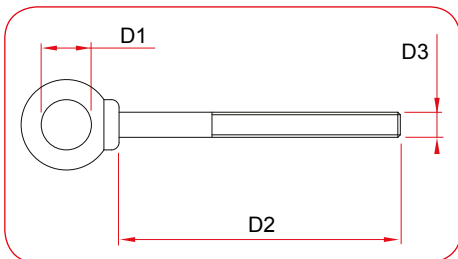


Hook Clamp Double-Ended (63-75mm to 48-50mm)

	SWL	D1	D2	kg
T20910	150 kg	190mm	40mm	1.03 kg

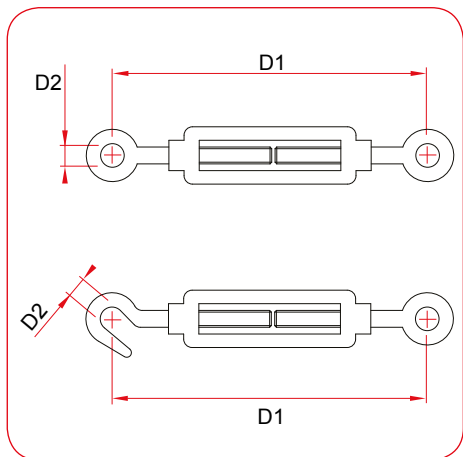
Special Sizes Made to Order

# Hooks & Eyes



Gate Eye

		D1	D2	D3
T42600	M10 x 115	12mm	115mm	11mm
T42700	M12 x 135	18mm	135mm	13mm

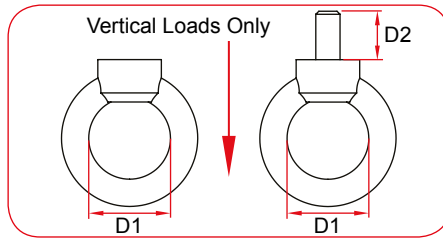


Barrel Strainers

		SWL	D1	D2
T39500	M8 Hook and Eye	130 kg	155 - 225mm	10mm
T37500	M8 Eye and Eye	230 kg	155 - 225mm	10mm
T39600	M10 Hook and Eye	440 kg	190 - 265mm	13.5mm
T37600	M10 Eye and Eye	700 kg	190 - 265mm	13.5mm

### Eye Nuts

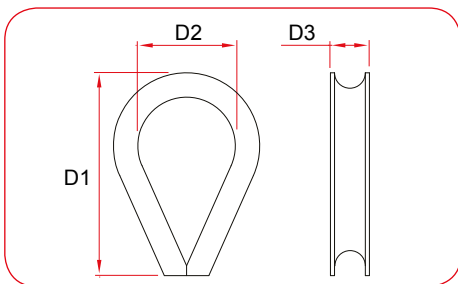
	Size	SWL	D1	Standard	Notes																																								
T42000	M6	100 kg	20mm	DIN 582	(plated)																																								
T42001	M6	100 kg	20mm	DIN 582	Tested (plated)																																								
T42100	M8	140 kg	20mm	DIN 582	(plated)																																								
T42101	M8	140 kg	20mm	DIN 582	Tested (plated)																																								
T42200	M10	230 kg	24mm	DIN 582	(plated)																																								
T42201	M10	230 kg	24mm </tr <tr> <td>T42202</td> <td>M10</td> <td>230 kg</td> <td>24mm</td> <td>DIN 582</td> <td>(black)</td> </tr> <tr> <td>T42300</td> <td>M12</td> <td>340 kg</td> <td>30mm</td> <td>DIN 582</td> <td>(plated)</td> </tr> <tr> <td>T42301</td> <td>M12</td> <td>340 kg</td> <td>43mm</td> <td>DIN 582</td> <td>Tested (large eye)</td> </tr> <tr> <td>T42302</td> <td>M12</td> <td>340 kg</td> <td>30mm</td> <td>DIN 582</td> <td>(black)</td> </tr> <tr> <td>T42303</td> <td>M12</td> <td>340 kg</td> <td>30mm</td> <td>DIN 582</td> <td>Tested (black)</td> </tr> <tr> <td>T42305</td> <td>M12</td> <td>500 kg</td> <td>35mm</td> <td>DIN 582</td> <td>Tested (Red)</td> </tr> <tr> <td>T42307</td> <td>M12</td> <td>750 kg</td> <td>35mm</td> <td>DIN 582</td> <td>Tested (pink)</td> </tr>	T42202	M10	230 kg	24mm	DIN 582	(black)	T42300	M12	340 kg	30mm	DIN 582	(plated)	T42301	M12	340 kg	43mm	DIN 582	Tested (large eye)	T42302	M12	340 kg	30mm	DIN 582	(black)	T42303	M12	340 kg	30mm	DIN 582	Tested (black)	T42305	M12	500 kg	35mm	DIN 582	Tested (Red)	T42307	M12	750 kg	35mm	DIN 582	Tested (pink)
T42202	M10	230 kg	24mm	DIN 582	(black)																																								
T42300	M12	340 kg	30mm	DIN 582	(plated)																																								
T42301	M12	340 kg	43mm	DIN 582	Tested (large eye)																																								
T42302	M12	340 kg	30mm	DIN 582	(black)																																								
T42303	M12	340 kg	30mm	DIN 582	Tested (black)																																								
T42305	M12	500 kg	35mm	DIN 582	Tested (Red)																																								
T42307	M12	750 kg	35mm	DIN 582	Tested (pink)																																								



### Eye Bolts

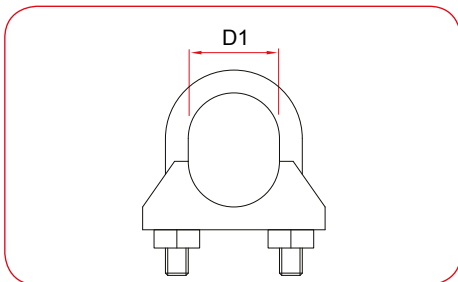
	Size	SWL	D1	D2	Standard	Notes
T42500	M6	100 kg	15mm	19mm	BS 4278/1	(self colour)
T42501	M6	100 kg	15mm	13mm	BS 4278/1	Tested (plated)
T42502	M6	70 kg	20mm	13mm	DIN 580	Large Eye (plated)
T39700	M8	150 kg	15mm	18mm	BS 4278/1	(self colour)
T39701	M8	140 kg	15mm	18mm	BS 4278/1	Tested (plated)
T39702	M8	140 kg	20mm	13mm	DIN 580	Large Eye (plated)
T39800	M10	250 kg	15mm	19mm	BS 4278/1	(self colour)
T39801	M10	250 kg	15mm	17mm	BS 4278/1	Tested (plated)
T39802	M10	230 kg	25mm	17mm	DIN 580	Large Eye (self colour)
T39900	M12	400 kg	15mm	19mm	BS 4278/1	(self colour)
T39901	M12	400 kg	15mm	19mm	BS 4278/1	Tested (plated)
T39902	M12	340 kg	25mm	19mm	DIN 580	Large Eye (plated)





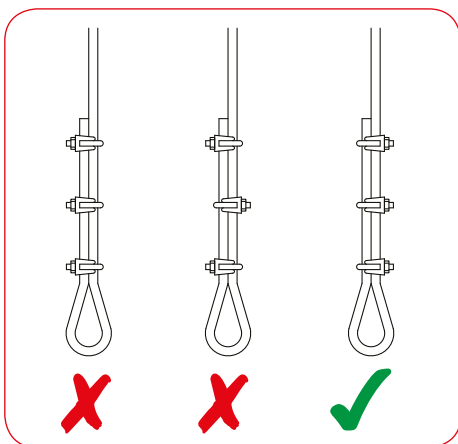
### Thimbles

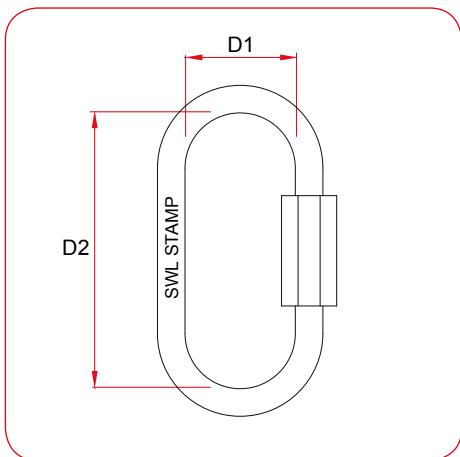
	Size	D1	D2	D3	Standard
T38600	3mm	26mm	10mm	7mm	
T38700	4 - 5mm	34mm	13mm	9mm	BS 464
T38800	6 - 7mm	38mm	17mm	10mm	
T38802	6 - 7mm	48mm	18mm	12mm	BS 464
T38900	8mm	53mm	24mm	13mm	
T38902	8mm	57mm	22mm	13mm	BS 464
T39000	9 - 10mm	62mm	31mm	14mm	
T39002	9 - 10mm				BS 464



### Cable Grips

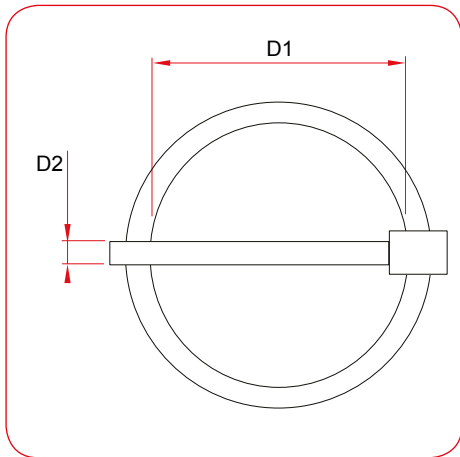
	Size	D1	Standard
T38000	3mm	5mm	
T38100	4 - 5mm	6mm	
T38101	4 - 5mm	6mm	DIN 1142
T38200	6 - 7mm	8mm	
T38201	6 - 7mm	8mm	DIN 1142
T38400	8mm	9mm	
T38401	8mm	9mm	DIN 1142
T38500	9 - 10mm	12mm	
T38501	9 - 10mm	12mm	DIN 1142





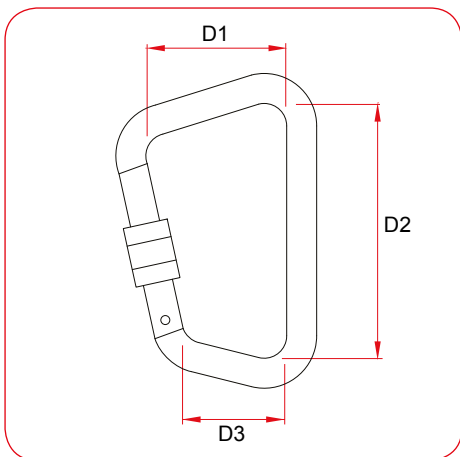
**Quick Links - Rated**

	Size	SWL	D1	D2	Standard
T23490	M6	200 kg	14mm	48mm	DIN 56926
T23500	M8	350 kg	17mm	58mm	DIN 56926
T23505	M10	500 kg	20mm	70mm	DIN 56926
T23510	M12	750 kg	23mm	81mm	DIN 56926



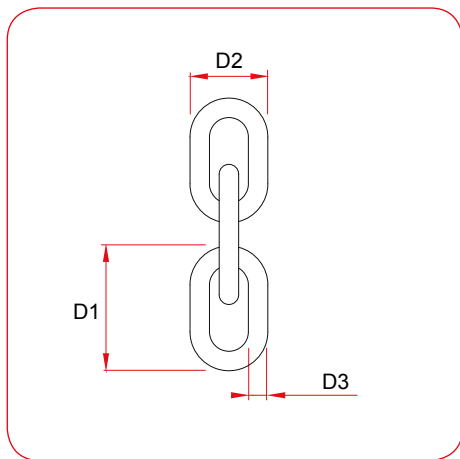
**Lynch Pins**

	SWL	D1	D2
T21000	200 kg	43mm	5.80mm



**Karabiners**

	SWL	D1	D2	D3
T2870001	400 kg	45mm	88mm	30mm



**Lifting Chain**

	Length	SWL	D1	D2	D3
T28000	per metre	250 kg	35mm	25mm	7mm
T28001	1m	250 kg	35mm	25mm	7mm
T28025	25m	250 kg	35mm	25mm	7mm
T28050	50m	250 kg	35mm	25mm	7mm
T28075	100m	250 kg	35mm	25mm	7mm

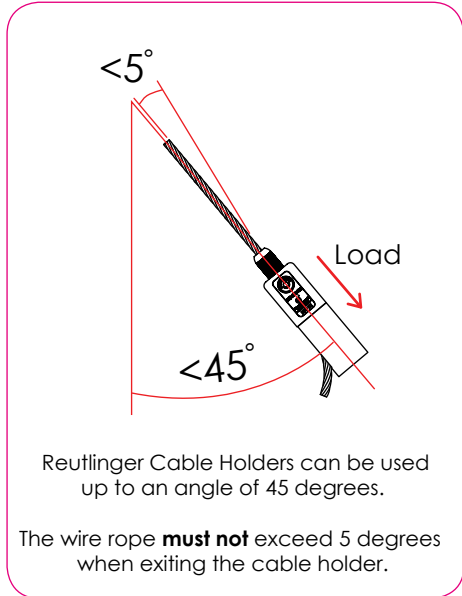
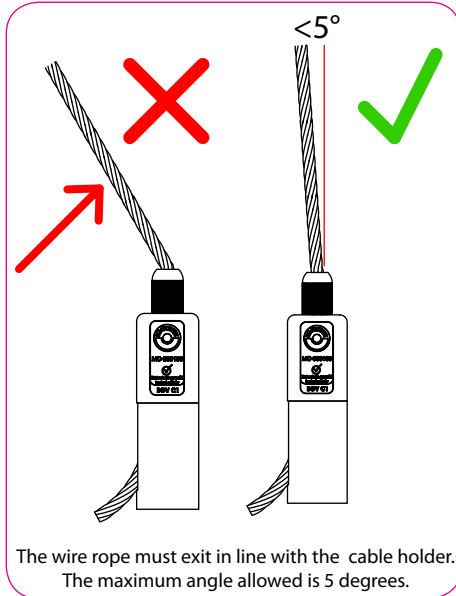
# Cable Holders

The range of Cable Holders from Reutlinger is designed to suspend static loads from wire rope without the need for tools or damaging the steel rope.

There are three sizes available, 50 SVII, 66 SVII and 80 SVII.

The Cable Holder is simply threaded on to the wire rope and with the safety nut depressed it can be placed in any position. When the desired position is achieved the safety nut is screwed down by hand and the load can be attached. These Cable Holders can be repositioned numerous times without damaging the wire rope.





### Working Loads

Wire Diameter in mm	Ø4.0mm	Ø5.0mm	Ø6.0mm	Ø1/4"	Ø8.0mm
<b>Cable DIN EN 12385-4, 6x7+1FE,1770 N/mm<sup>2</sup></b>					
Type 50SV II (BGVC1)	80kg	130kg	-	-	-
<b>Cable DIN EN 12385-4, 6x19+1FE,1770 N/mm<sup>2</sup></b>					
Type 50SV II (BGVC1)	80kg	130kg	-	-	-
Type 66SV II (BGVC1)	-	-	300kg	340kg	-
Type 80SV II (BGVC1)	-	-	190kg	-	330kg
<b>Cable DIN EN 12385-4, 6x37+1FE,1770 N/mm<sup>2</sup></b>					
Type 80SV II (BGVC1)	-	-	190kg	-	330kg
<b>Stainless Steel Cable DIN EN 12385-4, 7x19+1FE,1570 N/mm<sup>2</sup></b>					
Type 50SV II (BGVC1)	80kg	130kg	-	-	-
Type 66SV II (BGVC1)	-	-	240kg	-	-



T37650



T37653



T37651  
T37656 - Side Exit Wire

**Type 50 - M12 Male**

SWL	4mm wire	80kg
SWL	5mm wire	130kg
D1	M12	
D2	17mm	
D3	Ø25mm	
D4	70mm	
kg	0.12 kg	

**Type 50 - M12 Female**

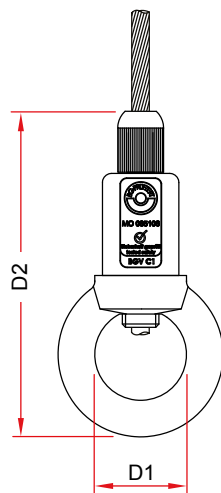
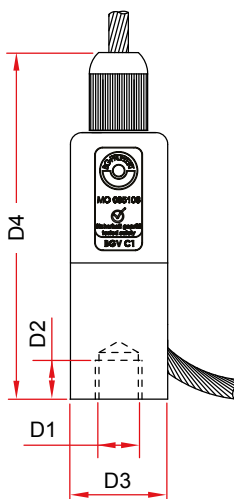
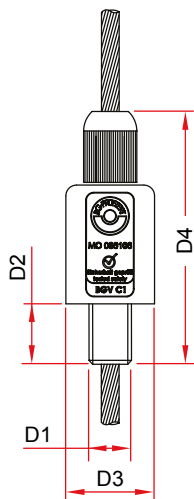
SWL	4mm wire	80kg
SWL	5mm wire	130kg
D1	M12	
D2	10mm	
D3	Ø25mm	
D4	93mm	
kg	0.24 kg	

**Type 50 with Eye**

SWL	4mm wire	80kg
SWL	5mm wire	130kg
D1	30mm	
D2	107mm	
kg	0.26 kg	



**Type 50SV II**





T37652



T37655



T37654

**Type 50 with Fork**

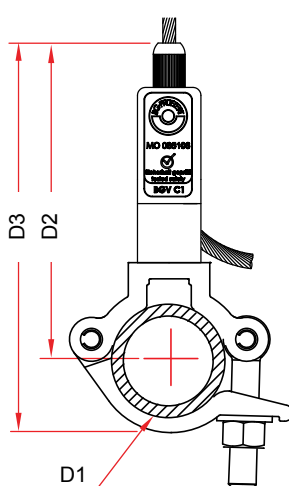
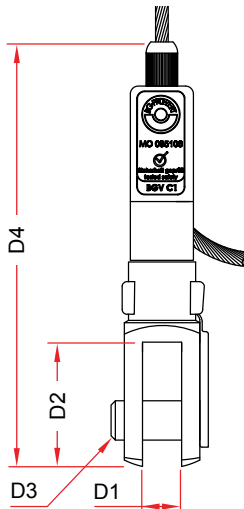
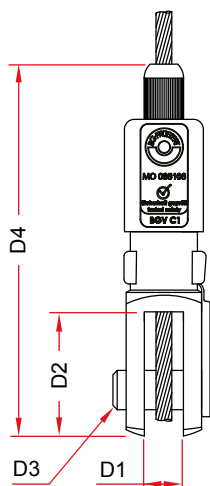
SWL	4mm wire	80kg
SWL	5mm wire	130kg
D1	14mm	
D2	41mm	
D3	Ø14mm	
D4	126mm	
kg	0.35 kg	

**Type 50 - Side Exit Fork**

SWL	4mm wire	80kg
SWL	5mm wire	130kg
D1	14mm	
D2	41mm	
D3	Ø14mm	
D4	165mm	
kg	0.49 kg	

**Type 50 with Coupler**

SWL	4mm wire	80kg
SWL	5mm wire	130kg
D1	Ø48 - 51mm	
D2	125mm	
D3	165mm	
Clamp Width	30mm	
kg	0.50 kg	





T37660



T37663



T37661  
T37666 - Side Exit Wire

**Type 66 - M16 Male**

SWL	6mm wire	190 kg
SWL	1/4" (6.35) wire	210 kg
D1	M16	
D2	20mm	
D3	Ø34mm	
D4	70mm	
kg	0.12 kg	

**Type 66 - M16 Female**

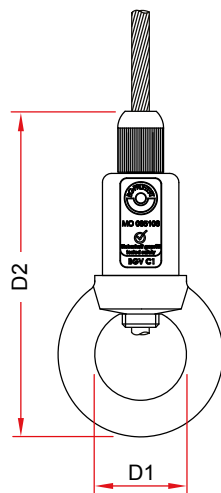
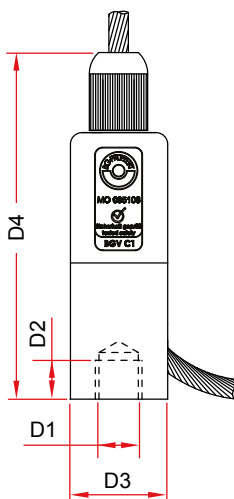
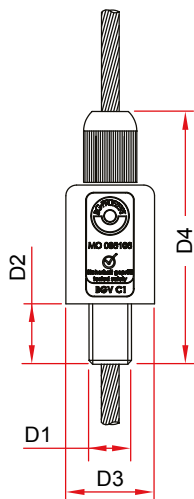
SWL	6mm wire	190 kg
SWL	1/4" (6.35) wire	210 kg
D1	M16	
D2	12mm	
D3	Ø34mm	
D4	96mm	
kg	0.24 kg	

**Type 66 with Eye**

SWL	6mm wire	190 kg
SWL	1/4" (6.35) wire	210 kg
D1	35mm	
D2	110mm	
kg	0.26 kg	



**Type 66SV II**







T37662



T37665



T37664

**Type 66 with Fork**

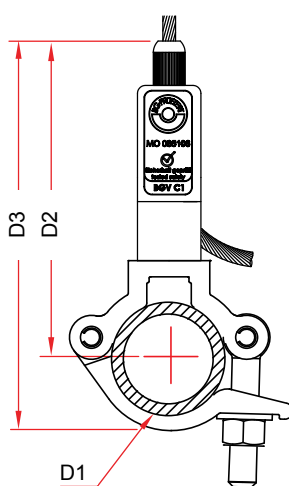
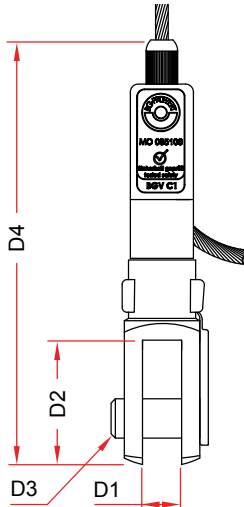
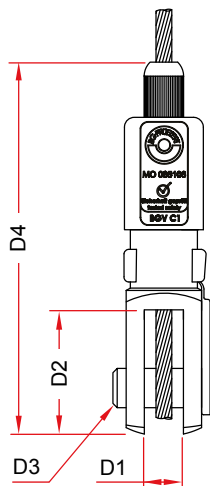
SWL	6mm wire	190 kg
SWL	1/4" (6.35) wire	210 kg
D1	16mm	
D2	32mm	
D3	Ø16mm	
D4	129mm	
kg	0.35 kg	

**Type 66 - Side Exit Fork**

SWL	6mm wire	190 kg
SWL	1/4" (6.35) wire	210 kg
D1	13mm	
D2	32mm	
D3	Ø16mm	
D4	176mm	
kg	0.49 kg	

**Type 66 with Coupler**

SWL	6mm wire	190 kg
SWL	1/4" (6.35) wire	210 kg
D1	Ø48 - 51mm	
D2	120mm	
D3	160mm	
Clamp Width	30mm	
kg	0.50 kg	





T37680



T37683



T37681  
T37686 - Side Exit Wire

**Type 80 - M20 Male**

SWL	6mm wire	190kg
SWL	8mm wire	330kg
D1	M20	
D2	30mm	
D3	Ø40mm	
D4	115mm	
kg	0.54 kg	

**Type 80 - M12 Female**

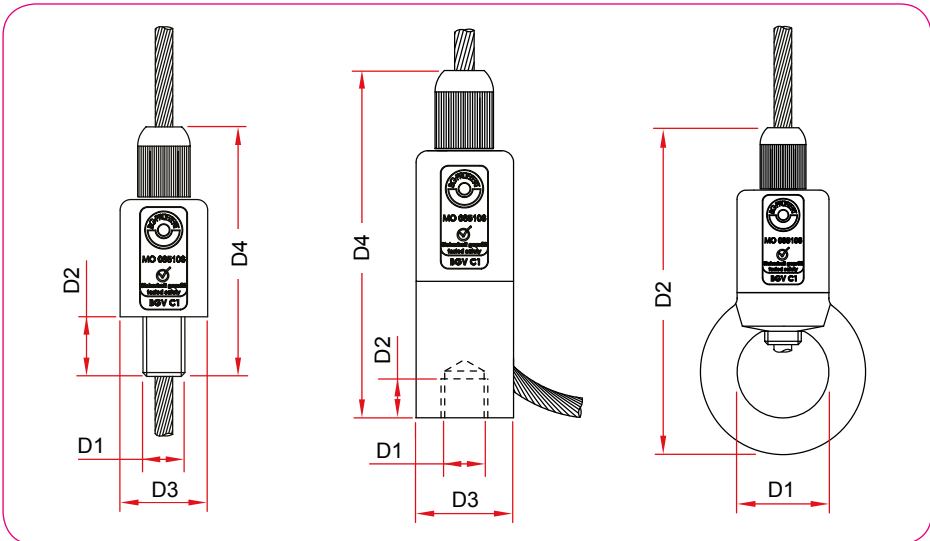
SWL	6mm wire	190kg
SWL	8mm wire	330kg
D1	M12	
D2	10mm	
D3	Ø40mm	
D4	139mm	
kg	0.94 kg	

**Type 80 with Eye**

SWL	6mm wire	190kg
SWL	8mm wire	330kg
D1	Ø40mm	
D2	158mm	
kg	0.88 kg	



**Type 80SV II**





T37682



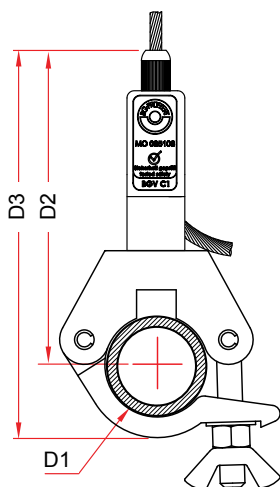
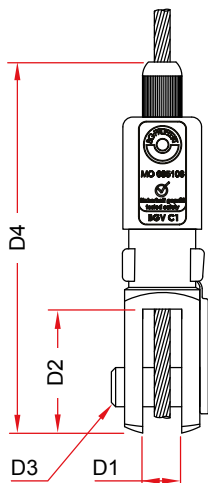
T37684

**Type 80 with Fork**

SWL	6mm wire	190kg
SWL	8mm wire	330kg
D1		20mm
D2		65mm
D3		Ø20mm
D4		191mm
kg		1.20 kg

**Type 80 with Coupler**

SWL	6mm wire	190kg
SWL	8mm wire	330kg
D1		Ø48 - 51mm
D2		194mm
D3		228mm
Clamp Width		50mm
kg		1.62 kg

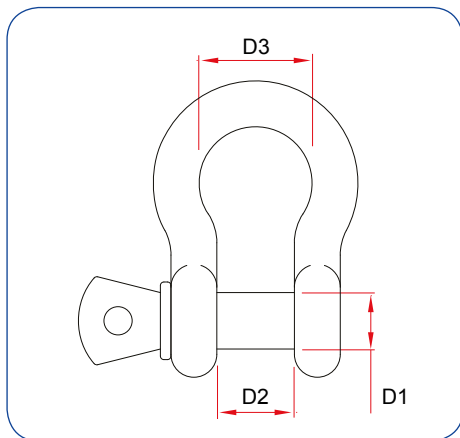
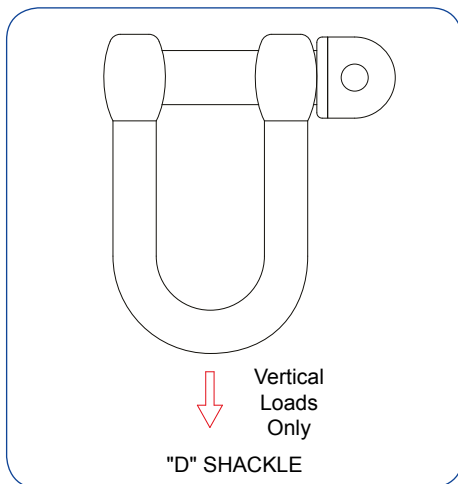
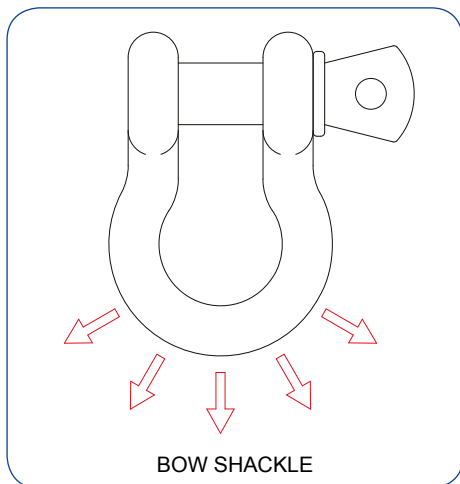


Abhängung mit System

# REUTLINGER

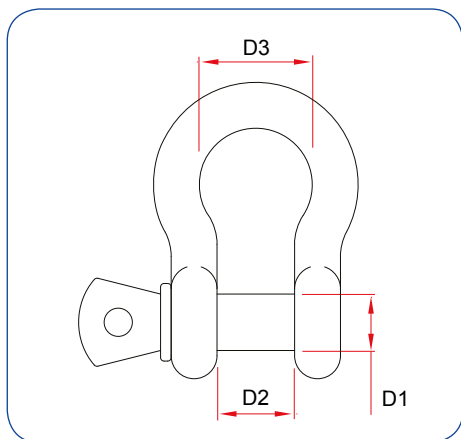
# Bow Shackles

Unlike "D" Shackles, Bow Shackles are able to take loads from multiple directions.



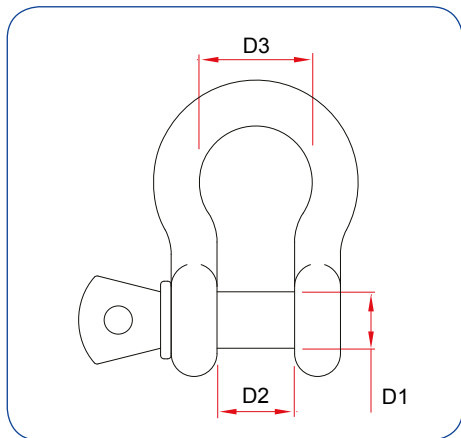
Bow Shackles - Silver Pin (EN 13889/RR-C-271B)

	WWL	D1	D2	D3
T39100	330 kg	6mm	9.5mm	16mm
T39200	500 kg	8mm	12mm	19mm
T39300	750 kg	10mm	13mm	20mm
T39400	1500 kg	12.5mm	17mm	28mm



Bow Shackles - Green Pin (EN 13889/RR-C-271B)

	WWL	D1	D2	D3
T39101	330 kg	6mm	9.5 mm	16 mm
T39201	500 kg	8mm	12 mm	21 mm
T39301	750 kg	10mm	13 mm	22 mm
T39401	1500 kg	12.5mm	17 mm	28 mm



Crosby® G209 Shackles (EN 13889/RR-C-271B)

Available on request

# Safety Bonds

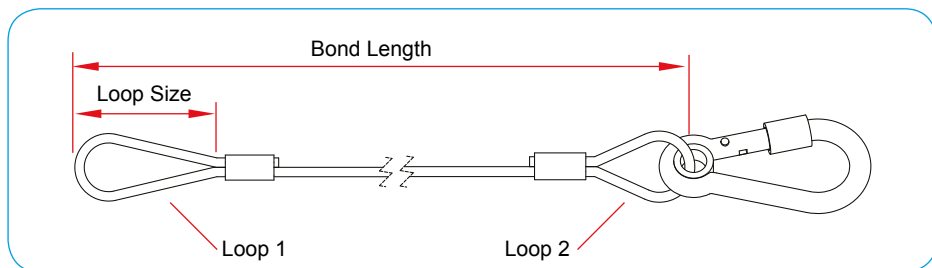
The Safety Bonds shown on the following pages represent our standard range of stock items. We are able to supply any length bonds with fittings to suit individual requirements, including dedicated labels.

All bonds are manufactured in accordance with BS302, BS7905, DIN 3055, DIN 3060, LOLER Standards and the Machinery Directive and are supplied with a batch test certificate.

Safety Bonds are to be used as a secondary safety device and not for lifting.

## Custom Bonds

Doughty Engineering supplies a full range of bonds to the customer's specification. When ordering custom bonds note the bond length is from loop to loop excluding any hooks. If a hook is specified with a soft loop, the soft loop will be large enough for the hook to pass through. A thimble loop will allow the hook to be attached to the thimble loop. Special loop sizes can be made on request. Our technical sales team will advise the wire diameter and hook specification depending on the SWL required. All bonds can be supplied with the SWL, your company name and contact details printed on a heat shrink sleeve.



Please note: To comply with the relevant standards all safety bonds must be marked with a Safe Working Load. In the interest of traceability they must display a Serial Number, Company Name & Contact Details.

Company Name and Contact Details must fit on two lines of 25 characters (including spaces).



**Safety Bond 5 kg - 500mm**  
 T2840001 2mm wire



**Safety Bond 15 kg - 540mm**  
 T22001 3mm wire



**Safety Bond 20 kg - 600mm**  
 T2841001 2mm wire



**Safety Bond 36 kg - 600mm**  
 T2844001 4mm wire



**Safety Bond 36 kg - 1000mm**  
 T2844501 4mm wire



**Safety Bond 100 kg - 600mm**  
 T2849001 3mm wire

# Standard Pulleys

The Doughty Pulley system is of modular construction, allowing easy assembly of single or multiple sheave units from a limited range of standard components. With the addition of various brackets and fixings, the basic pulleys will fulfil a variety of specialist needs. Sheaves are available for fibre or wire ropes.

All Standard Doughty Pulleys have a safe working load of 150 kg.







Single



Double



Triple



Quad



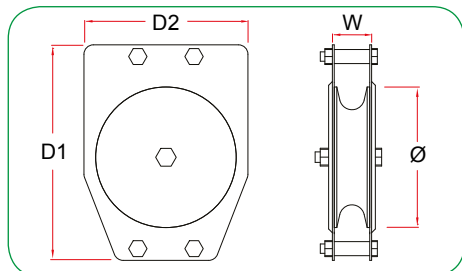
Quin

Ø100 = 12mm Rope  
4mm Wire

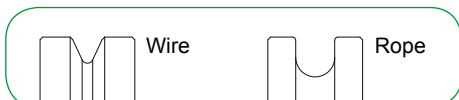
Ø150 = 18mm Rope  
6mm Wire

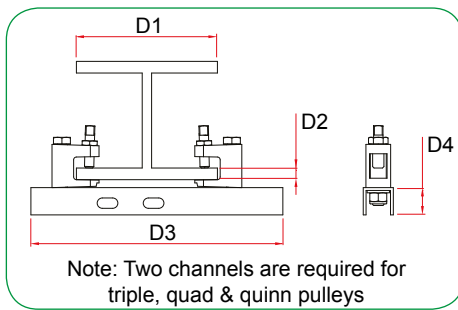
Ø180 = 18mm Rope  
6mm Wire

Ø100mm		Ø150mm		Ø180mm		
Wire		Wire		Wire		W
T42800	Single	T42820	Single	T42830	Single	22mm
T42801	Double	T42821	Double	T42831	Double	53mm
T42812	Triple	T42822	Triple	T42832	Triple	85mm
T42813	Quad	T42823	Quad	T42833	Quad	116mm
T42814	Quin	T42824	Quin	T42834	Quin	148mm
Rope		Rope		Rope		W
T42836	Single	T42846	Single	T42855	Single	22mm
T42837	Double	T42847	Double	T42856	Double	53mm
T42838	Triple	T42848	Triple	T42857	Triple	85mm
T42839	Quad	T42849	Quad	T42858	Quad	116mm
T42840	Quin	T42850	Quin	T42859	Quin	148mm



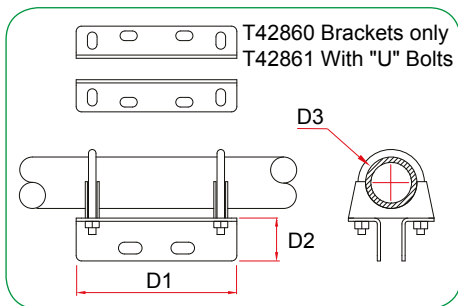
	Ø100mm	Ø150mm	Ø180mm
D1	178mm	230mm	278mm
D2	125mm	175mm	200mm
SWL	150Kg	150 kg	150 kg





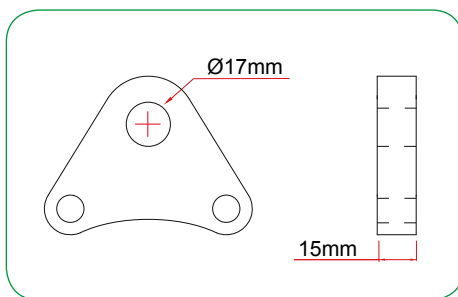
**Girder Channel with Flange Clamps**

	SWL	D1	D2	D3	D4
T42870	150 kg	75 - 150mm	< 20mm	270mm	25mm
T42872	150 kg	150 - 300mm	< 20mm	450mm	25mm



**Multifix Brackets**

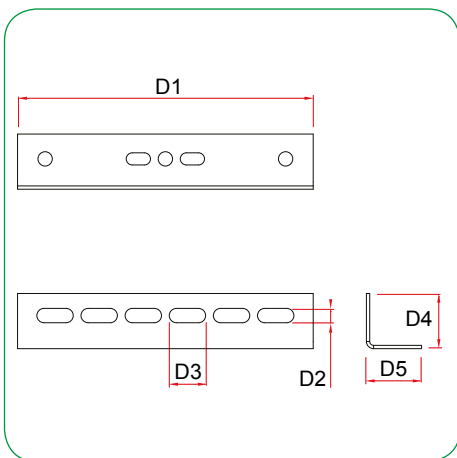
	SWL	D1	D2	D3
T42860 (without "U" bolts)	150 kg	150mm	50mm	Ø48mm
T42861 (with "U" bolts)	150 kg	150mm	50mm	Ø48mm



**Awning Profile**

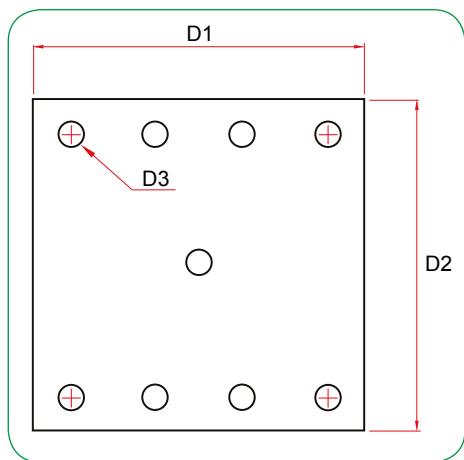
Designed to be used with an M12 Shackle.

T42865	SWL 150 kg
--------	------------



### Multibeam / Girder Angle Brackets

	SWL	D1	D2	D3	D4	D5
T42885	150 kg	270mm	13mm	33mm	50mm	50mm
T42886	150 kg	450mm	13mm	33mm	50mm	50mm



### Wall Side Plates

	SWL	D1	D2	D3
T42897 for 100mm Pulleys	150 kg	185mm	178mm	10mm
T42898 for 150mm Pulleys	150 kg	235mm	230mm	10mm
T42899 for 180mm Pulleys	150 kg	275mm	260mm	10mm

# Heavy Duty Pulleys

The Doughty Heavy Duty Pulleys are constructed from nylon sheaves together with ball raced bearings for smooth friction free operation. Side plates are constructed from 5mm thick steel giving an extremely strong construction. Heavy Duty Pulleys are available with 100mm, 150mm and 200mm sheaves with SWLs of 200, 400 and 600 kgs respectively. Pulleys are available for both fibre and wire ropes together with a range of bracketry to suit.





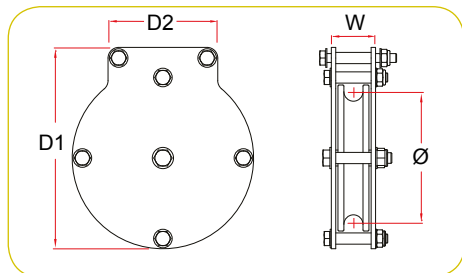
Ø100 = 12mm Rope  
4mm Wire

Ø150 = 18mm Rope  
6mm Wire

Ø200 = 18mm Rope  
6mm Wire

HD Ø100mm		HD Ø150mm		HD Ø200mm		W
Rope		Rope		Rope		
T42931	Single	T42941	Single	T42951	Single	50mm
T42932	Double	T42942	Double	T42952	Double	75mm
T42933	Triple	T42943	Triple	T42953	Triple	100mm
T42934	Quad	T42944	Quad	T42954	Quad	130mm
T42935	Quin	T42945	Quin	T42955	Quin	160mm

Wire		Wire		Wire		W
T42901	Single	T42911	Single	T42921	Single	50mm
T42902	Double	T42912	Double	T42922	Double	75mm
T42903	Triple	T42913	Triple	T42923	Triple	100mm
T42904	Quad	T42914	Quad	T42924	Quad	130mm
T42905	Quin	T42915	Quin	T42925	Quin	160mm



Ø	100mm	150mm	200mm
D1	178mm	228mm	278mm
D2	124mm	124mm	174mm
SWL	200 kg	400 kg	600 kg

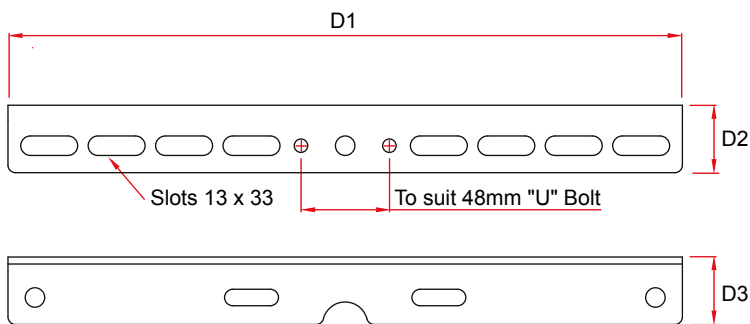




Multibeam Brackets - Heavy Duty

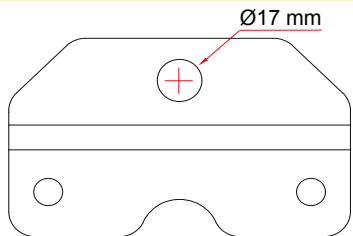
	SWL	D1	D2	D3
T42990	600 kg	225mm	45mm	45mm
T42995	600 kg	450mm	45mm	45mm

A pair of slotted angle brackets which can be used for wall or ceiling applications. The holes are specifically spaced for the use of 48mm "U" Bolts (T56600).



Heavy Duty Pulley Awnings

100 & 150mm			200mm		
T42984	100 & 150mm	Single Sheave	T42987	200mm	Single Sheave
T42985	100 & 150mm	Double Sheave	T42988	200mm	Double Sheave
T42986	100 & 150mm	Triple Sheave	T42989	200mm	Triple Sheave
SWL	400 kg		SWL	600 kg	



Designed to be used with an M12 Shackle.





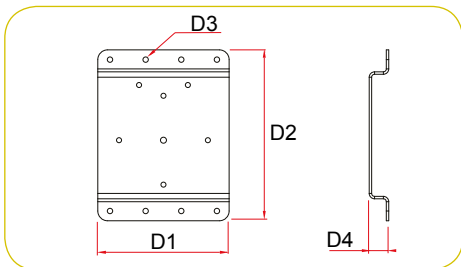
### Heavy Duty Universal Plate Assembly

T42979	fits Single Pulley	SWL 600 kg
T42980	fits Double Pulley	SWL 600 kg
T42981	fits Triple Pulley	SWL 600 kg
T42982	fits Quad Pulley	SWL 600 kg
T42983	fits Quin Pulley	SWL 600 kg

Universal mounting plates enable pulleys to be mounted to tubes with a pair of "U" bolts. These plates are supplied with a pair of multifix brackets and "U" bolts.



Wall Mounting Plates						
	Pulley Size	SWL	D1	D2	D3	D4
T42997	100mm	200 kg	219mm	300mm	11mm	40mm
T42998	150mm	400 kg	269mm	350mm	11mm	40mm
T42999	200mm	600 kg	319mm	400mm	11mm	40mm



Wall plates are available in three sizes, 100mm, 150mm and 200mm. These plates convert an existing pulley into a wall mounted pulley.

# Clews & Cleats

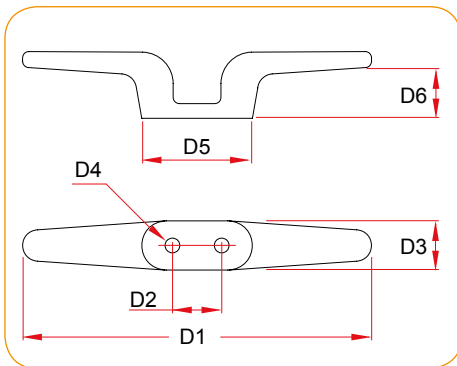
A range of Clews fitted with swivel shackles. Suitable for use with our standard and heavy duty range of pulleys to combine the multiple hanging lines from a flown bar into a single winch line when using drum winches – suitable for wire rope up to 6mm.



## Swivel Clews

T41000	3-Way	SWL 250 kg
T41100	4-Way	SWL 250 kg
T41200	5-Way	SWL 250 kg
T41300	3-Way	SWL 500 kg
T41400	4-Way	SWL 500 kg
T41500	5-Way	SWL 500 kg
T41600	3-Way	SWL 1000 kg
T41700	4-Way	SWL 1000 kg
T41800	5-Way	SWL 1000 kg

Supplied with a Swivel Shackle and Thimbles



## Flyrail Cleats

	SWL	D1	D2	D3	D4	D5	D6
T41900	200 kg	440mm	60mm	47mm	12mm	135mm	70mm
T41902	200 kg	375mm	48mm	40mm	12mm	115mm	40mm
T41904	200 kg	285mm	35mm	40mm	12mm	90mm	40mm



# Rope & Wire

Pre-stretched black nylon cord. Suitable for use in Six Track systems, pulleys and general lashing. A matt finish improves grip and holds knots well.



## Rope

Pt No	Diameter	Breaking Load
T63780 (200m reel)	Ø8mm	2000 kg

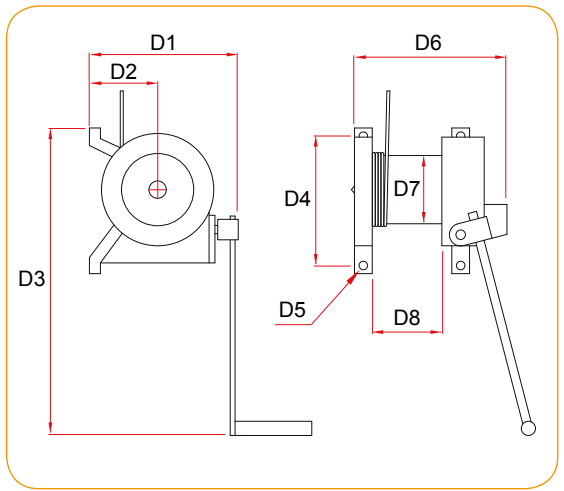
Galvanised and black wire rope for use in flying and static suspension systems. Construction is 7 x 7 for 1.5, 2, 3 & 4mm and 7 x 19 for 5, 6, 7 & 8mm. These are suitable for use with our range of gate eyes, barrel strainers, cable grips and thimbles.

Available as 100 metre drums.



## Wire Rope - 100m Reels

Galvanised (silver)				Galvanised (black)			
Pt No	Diameter	kg/100m	SWL	Pt No	Diameter	kg/100m	SWL
T40500	Ø2mm	1.52 kg	60 kg	T405001	Ø2mm	1.52 kg	60 kg
T40000	Ø3mm	3.34 kg	100 kg	T400001	Ø3mm	3.34 kg	100 kg
T40100	Ø4mm	5.96 kg	175 kg	T401001	Ø4mm	5.96 kg	175 kg
T40200	Ø5mm	9.29 kg	275 kg	T402001	Ø5mm	9.29 kg	275 kg
T40300	Ø6mm	13.4 kg	400 kg	T403001	Ø6mm	13.4 kg	400 kg
T40400	Ø7mm	18.2 kg	525 kg	T404001	Ø7mm	18.2 kg	525 kg
T40600	Ø8mm	21.5 kg	650 kg	T406001	Ø8mm	21.5 kg	650 kg



### Worm Gear Winches

	T41850	T41860	T41870
SWL (First Layer)	250 kg	500 kg	750 kg
SWL (Last Layer)	210 kg	425 kg	624 kg
Layers	2	3	4
Wire Rope diameter	Ø5mm	Ø6mm	Ø8mm
Rope Capacity (First Layer)	4.8m	7.9m	9.2m
Rope Capacity Total	11.3m	29.1m	49m
Ratio:	16:1	16:1	25:1
Lift per Turn	20mm	26mm	20mm
Required Effort	9.2 kg	14.5 kg	16 kg
Duty Class to DIN 15020	1Bm	1Bm	1Bm
kg	12.5 kg	21 kg	42 kg

### Dimensions

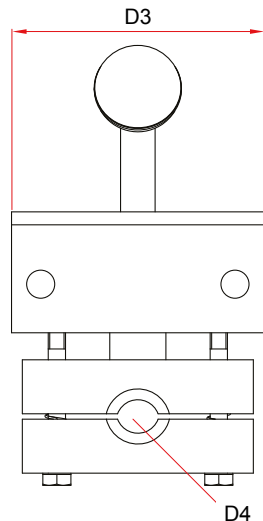
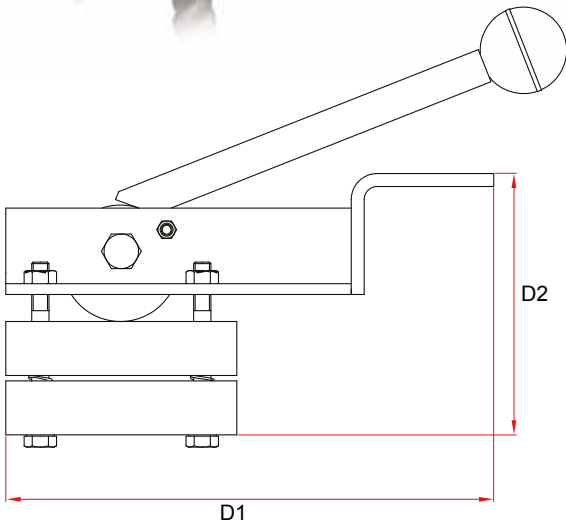
	T41850	T41860	T41870
D1	205mm	241mm	335mm
D2	137mm	190mm	243mm
D3	500mm	690mm	770mm
D4	205mm	250mm	330mm
D5	12mm	14mm	20mm
D6	219mm	282mm	350mm
D7	96mm	125mm	150mm
D8	94mm	138mm	182mm

# Lever Rope Brake

A heavy duty rope brake, made from steel with machined aluminium friction plates shaped to protect the rope and with a sprung loaded handle to ensure free running of counter weight flying lines. The friction plates are adjustable to allow for differences in rope diameter.

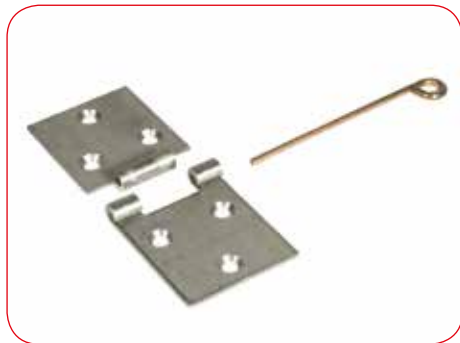


T67300	
D1	226mm
D2	121mm
D3	117mm
D4	To suit Ø22mm rope
kg	4 kg



# Scenery Fixings

The Doughty range of Scenery Fixings is a large selection of hinges and brackets for the construction of stage scenery and back drops.



### Loose Pin Hinges

T61700	1.5" (38mm)
T61800	1.75" (44mm)
T61900	2" (50mm)
T62100	Loose pins (pack of 100)

Loose Pin Hinges are not supplied with pins, which should be ordered separately.



### Lift Off Hinges

T62500	Left hand 3" (75mm)
T62501	Right hand 3" (75mm)



### Backflap Hinges

T62700	1.5" (38mm)
T62800	1.75" (44mm)
T62900	2" (50mm)
T63000	3" (75mm)

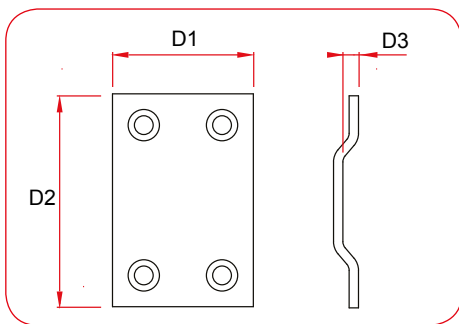


### Butt Hinges

T63400	2" (50mm)
T63500	2.5" (63.5mm)
T63600	3" (75mm)
T63700	4" (100mm)

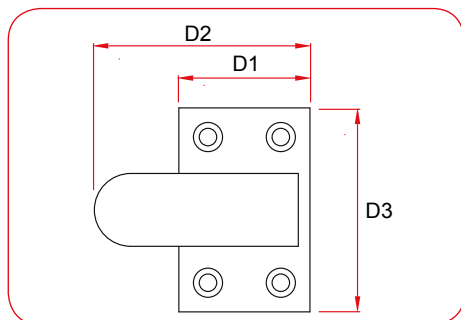


Ø6mm Fixing Holes



**Pelmet Socket**

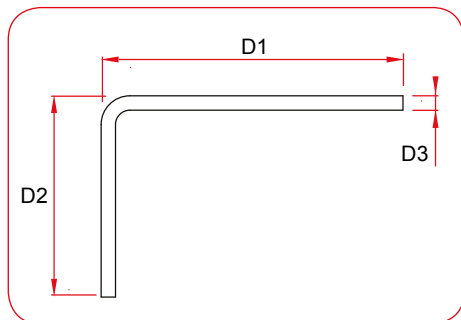
	SWL	D1	D2	D3	kg
T66300	N/A	45mm	68mm	5mm	0.05 kg



Ø6mm Fixing Holes

**Pelmet Clip**

	SWL	D1	D2	D3	kg
T66200	N/A	45mm	74mm	70mm	0.05 kg



Ø6mm Fixing Holes

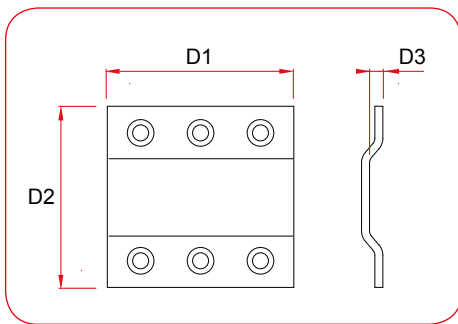
**Pelmet 90° Bracket**

	SWL	D1	D2	D3	kg
T66100	N/A	63mm	42mm	3mm	0.18 kg

Pelmet clips and sockets provide a quick means of mounting pictures and various other props to scenery.

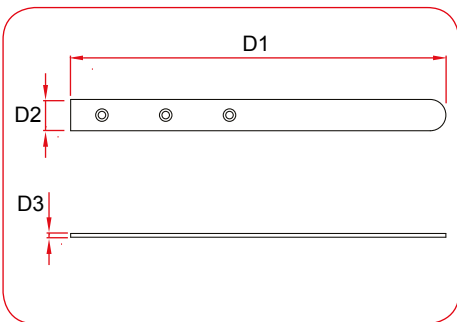


Ø6mm Fixing Holes



**Extended Socket**

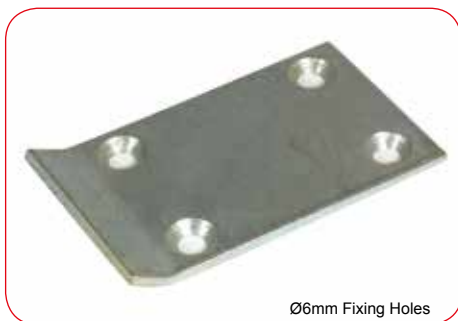
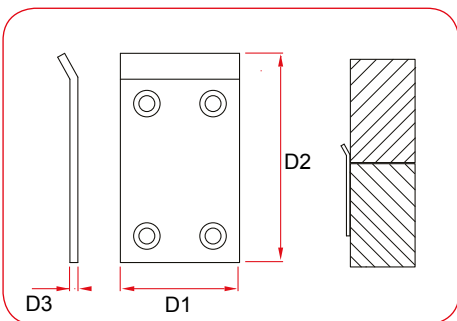
SWL	D1	D2	D3	kg	
T66500	N/A	70mm	68mm	5mm	0.18 kg



Ø6mm Fixing Holes

**Extended Plug**

SWL	D1	D2	D3	kg	
T66400	N/A	300mm	25mm	3mm	0.22 kg

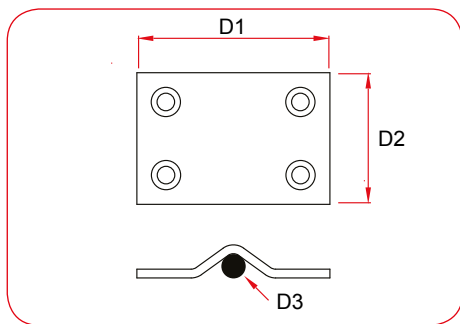


Ø6mm Fixing Holes

**Stop Plate**

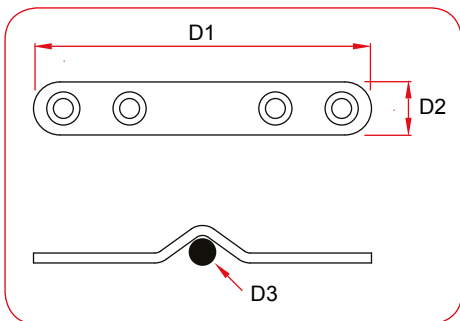
SWL	D1	D2	D3	kg	
T65000	N/A	45mm	80mm	3mm	0.09 kg

Extension fittings are used to join two scenery panels edge to edge.



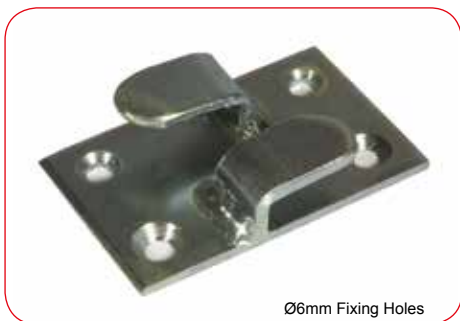
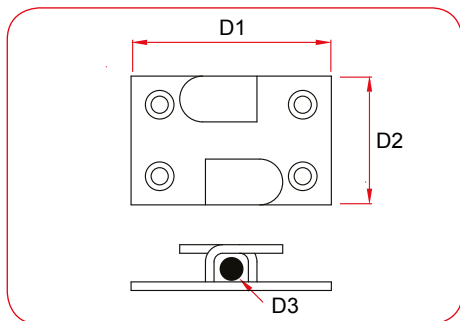
### Grummet End Fixing

	SWL	D1	D2	D3	kg
T65400	N/A	66mm	45mm	8mm	0.07 kg



### Grummet Standard

	SWL	D1	D2	D3	kg
T65300	N/A	100mm	16mm	>8mm	0.04 kg



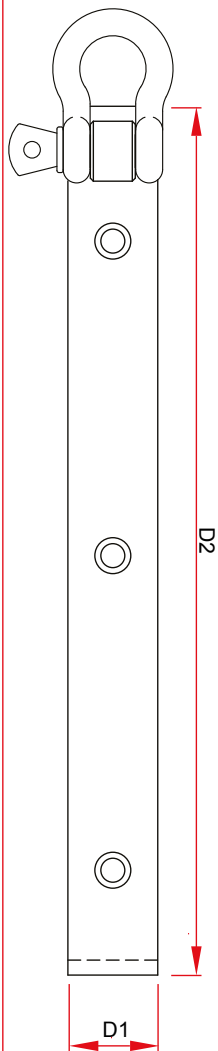
### Grummet Quick Release

	SWL	D1	D2	D3	kg
T65500	N/A	70mm	45mm	8mm	0.10 kg

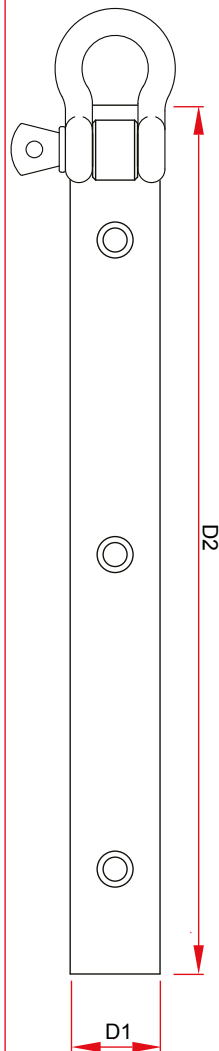
Grummetts are generally used to guide flying wires and lines behind scenery panels.



Ø6mm Fixing Holes



Ø6mm Fixing Holes



Long Flying Iron Lipped

D1 D2

T64200 30mm 300mm

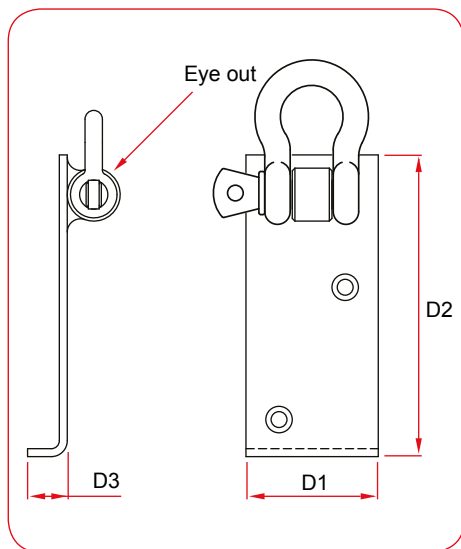
Long Flying Iron Flat

D1 D2

T64300 30mm 300mm

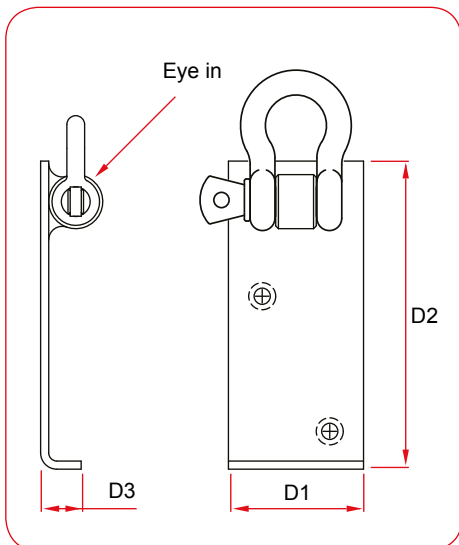
Manufactured from mild steel and zinc plated, Flying Irons are used to fly scenery panels. Supplied with an M8 Bow Shackle.





Short Hanging Iron (eye out)

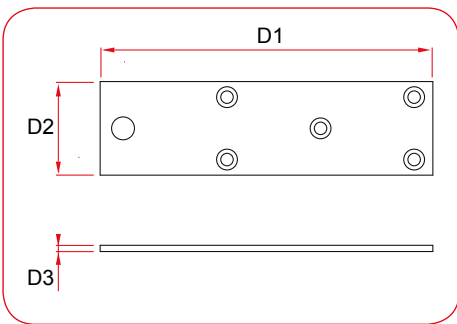
	SWL	D1	D2	D3	kg
T64000	N/A	50mm	115mm	15mm	0.22 kg



Short Hanging Iron (eye in)

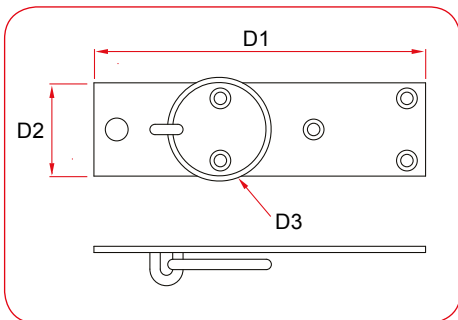
	SWL	D1	D2	D3	kg
T64100	N/A	50mm	115mm	15mm	0.22 kg

Manufactured from mild steel and zinc plated, Hanging Irons are used to fly scenery panels. Supplied with an M8 Bow Shackle.



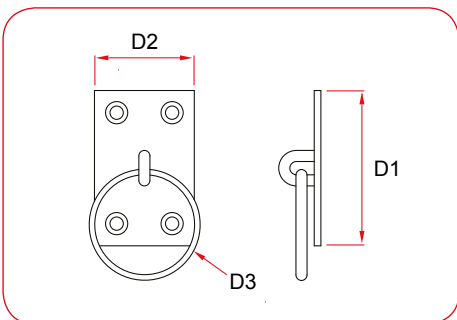
### Ceiling Plate

SWL	D1	D2	D3	kg	
T65600	N/A	160 mm	45 mm	3 mm	0.04 kg



### Ceiling Plate with Ring

SWL	D1	D2	D3	kg	
T65700	N/A	160mm	45mm	Ø45mm	0.04 kg



### Ring Plate

SWL	D1	D2	D3	kg	
T64900	N/A	70mm	45mm	Ø45mm	0.01 kg



Ø6mm Fixing Holes

**Stud Plate**

T64600

M10 x 50 Stud



Ø6mm Fixing Holes

**Peg Plate**

T64700

M10 x 50 Stud



Ø6mm Fixing Holes

**Boss Plate**

T64800

M10 Threaded Boss



**Top Batten Clip**

T67000

Fits up to 4" x 2" battens



**Coach Eye**

T59000

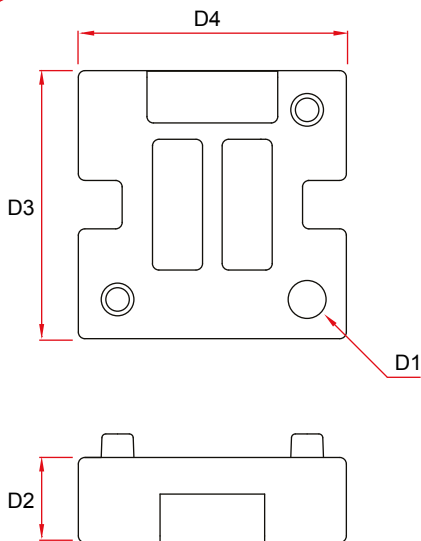


**Stage Screw**

T60900

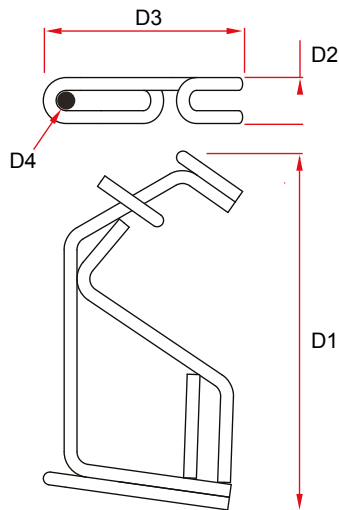


Doughty Knob to suit sold separately  
Order Pt No. S0141



### Brace Weight

	D1	D2	D3	D4	kg
T61100	29mm	65mm	205mm	205mm	12.5 kg



### Rope Brake

	D1	D2	D3	D4	kg
T67200	336mm	43mm	187mm	Ø19mm	12.5 kg



**Fixed Stage Brace**

T60600	2.0m	1.77 kg
--------	------	---------

An inexpensive lightweight all steel scenery brace.

**Extending Stage Brace**

T60000	1 - 2m	2.00 kg
T60100	1.5 - 3m	2.86 kg
T60200	2 - 4m	3.73 kg

Lightweight extending steel braces with a powder painted outer finish and a zinc plated inner.

# Swivel Arms

A range of 360° swivel arm fittings to position leg/wing curtains or light scenery at any angle, traditionally used to aid masking of wing space on stage from audience sight lines.



### Swivel Arm Ceiling Mounted

T84500 Fixes directly to a solid surface

T84501 Supplied with Ø25mm x 2m tube



### Swivel Arm Barrel Mounted

T84505 Supplied with 48mm "U" bolts

T84506 Supplied with Ø25mm x 2m tube



### Swivel Arm Girder Mounted

T84510 to fit Girders 4" - 6"

T84511 Supplied with Ø25mm x 2m tube

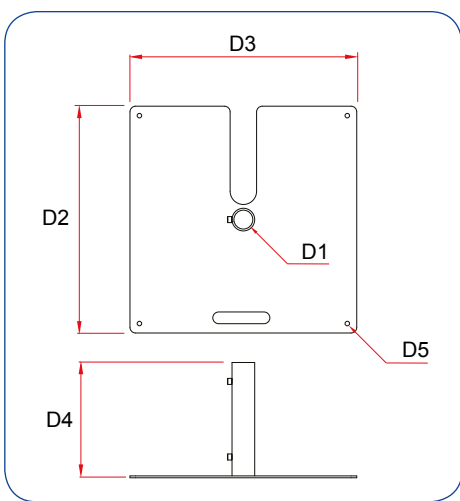


### Studio Rail Swivel Arm

T84515 Supplied with 6 wheel carriage

T84516 Supplied with Ø25mm x 2m tube

# Floor & Wall Plates



**Tank Trap (fixed base)**

	D1	D2	D3	D4	D5	kg
T54250	48mm	600mm	600mm	305mm	12mm	16.14 kg

To suit 48mm aluminium barrel or galvanised scaffold poles. Supplied with cut out for compact storage/stacking.



**Tank Trap (two wheels)**

T54255	Dimensions are as per the Tank Trap (T54250)					
--------	--	--	--	--	--	--

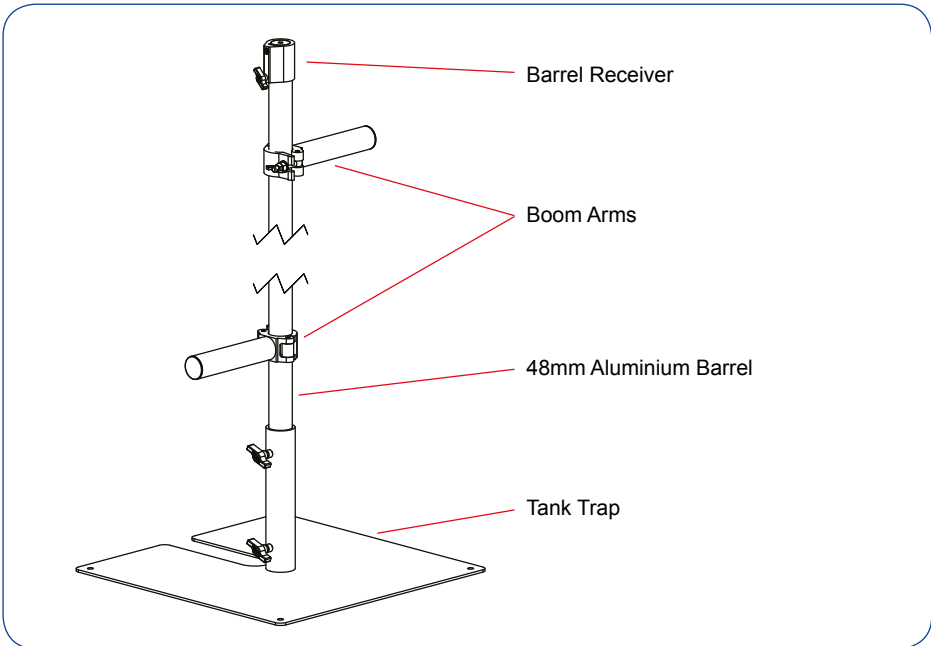
Fitted with two wheels this tank trap can be easily manoeuvred by tilting back and wheeling into position.



**Tank Trap (four castors)**

T54260 Dimensions are as per the Tank Trap (T54250)

Supplied without stacking slot to increase stability when on castors. Four braked castors fitted.







**Baby Pin Wall Plate**

G1405 0.46 kg

A 100mm x 100mm plate with 16mm spigot and Ø8mm corner fixing holes.

**Baby Receiver Wall Plate**

G1128 0.37 kg

A 100mm x 100mm plate with a 16mm receiver and Ø8mm corner fixing holes.



**Turtle Plate**

T54200 2.40 kg

A 230mm x 230mm turtle plate with a 29mm receiver and Ø6mm corner fixing holes.

**Junior Wall Plate**

G1129 0.85 kg

A 120mm x 120mm plate with a 29mm receiver and Ø8mm corner fixing holes.



**48mm Receiver**

	Size (D1)	Fixing (D2)	kg
T50820	Ø48mm	M10	0.45 kg
T50825	Ø48mm	M12	0.45 kg
T50830	Ø51mm	M10	0.45 kg
T50835	Ø51mm	M12	0.45 kg

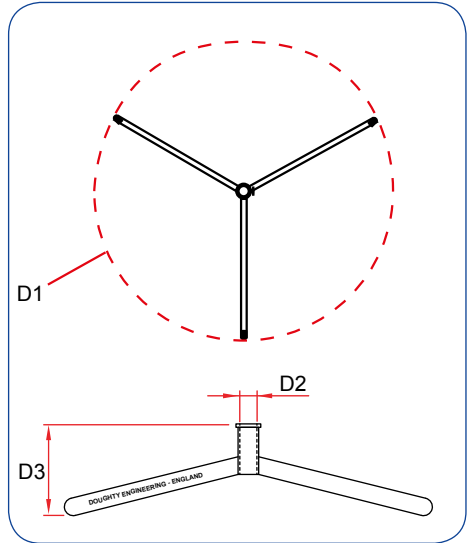


Floor Lighting Plates

T54150

1.28 kg

A 250mm x 250mm floor plate to suit a Hook Clamp (T20100).



Nipper Stand

	D1	D2	D3	SWL	kg
T54100	Ø600mm	Ø29mm	165mm	10 kg without extension	1.28 kg

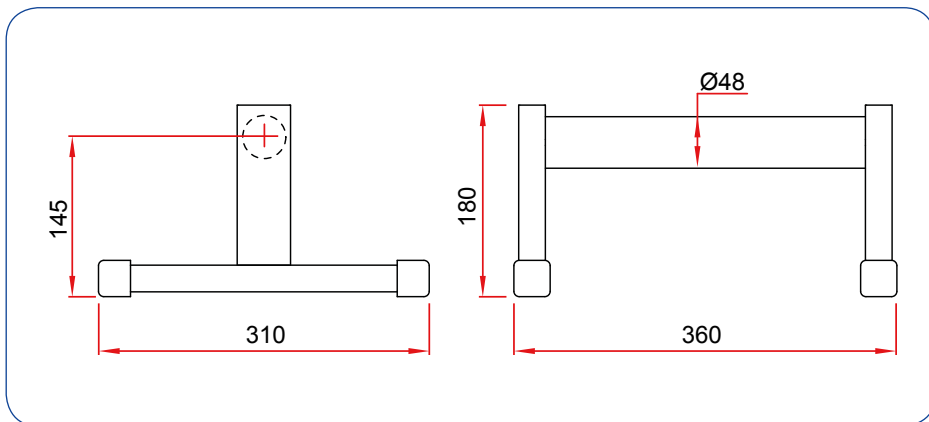
A low folding cast aluminium stand with 29mm receiver.

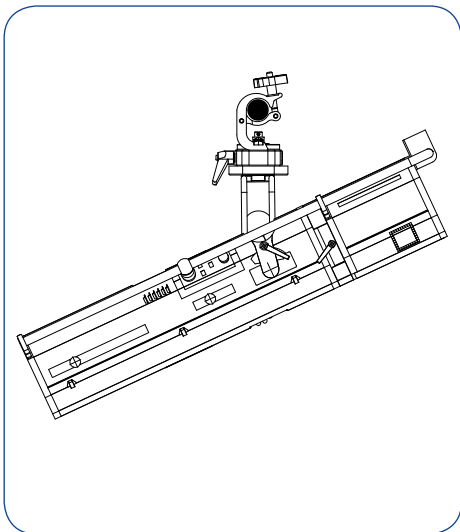


### Floor Stand

T54155	Ø48mm	50 kg	4.20 kg
--------	-------	-------	---------

A simple floor stand which allows a moving head to be used at floor level without removing any clamps/couplers attached.

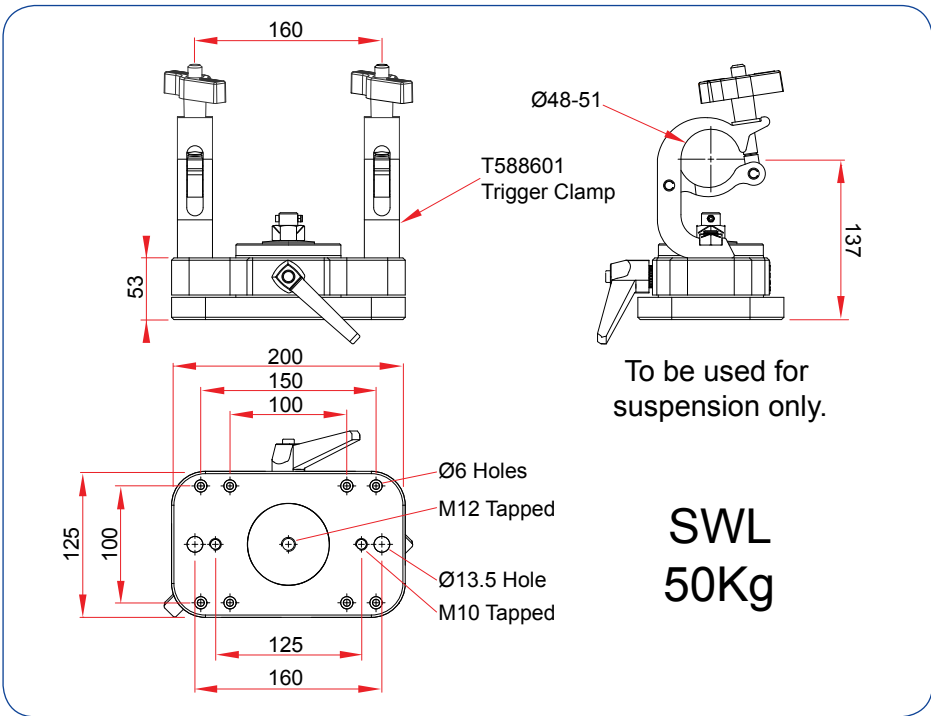


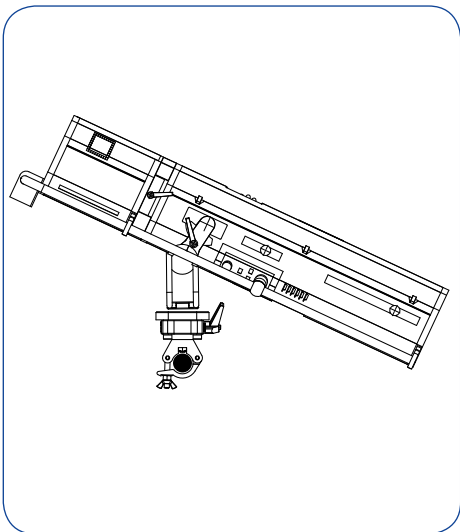


Followspot Rail Mount

	D1	SWL	kg
T54410	Ø48-51mm	50 kg	4.20 kg

An assembly designed to allow a followspot to be mounted to a rail. This assembly enables full 360° of smooth rotation.





### Followspot Rail Mount

	D1	SWL	kg
T54420	Ø48-51mm	100 kg	4.20 kg

An assembly designed to allow a followspot to be mounted to a rail. This assembly enables full 360° of smooth rotation.

T57011 Clamps

Ø48-51

120

53

160

200

150

100

125

160

125

100

Ø6 Holes

M12 Tapped

Ø13.5 Hole

M10 Tapped

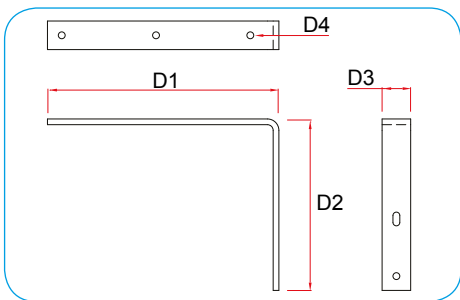
Can be used to support or suspend a followspot.

**SWL  
100Kg**

# Wall Brackets

The Wall Bracket range is a comprehensive range of steel bracketry designed primarily to be wall mounted, allowing fixtures and tubes to be suspended from a vertical surface.

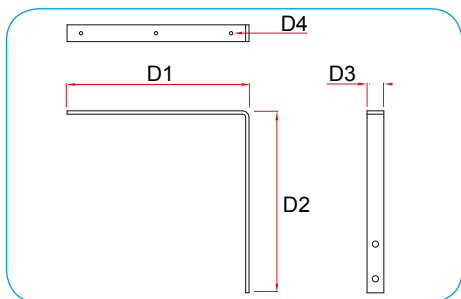




Wall Bracket (Heavy Duty)

	SWL	D1	D2	D3	D4	kg
T33900	20 kg	405mm	300mm	50mm	Ø12mm	2.60 kg

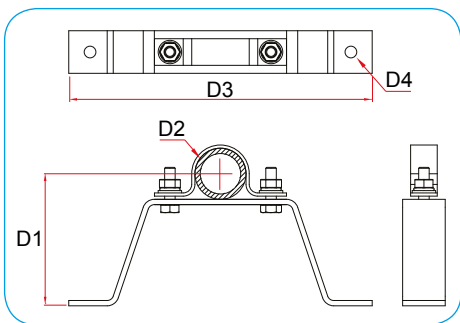
Accepts T30800 Saddle Clamp.



Wall Bracket (Light Duty)

	SWL	D1	D2	D3	D4	kg
T33800	3 kg	325mm	325mm	30mm	Ø6mm	0.85 kg

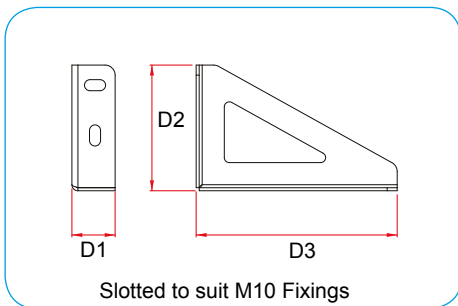
Accepts T56600 48mm "U" bolt.



Pipe to Wall Brackets

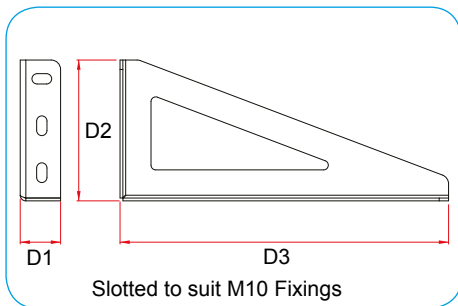
	SWL	D1	D2	D3	D4	kg
T33300	30 kg	325mm	Ø48mm	400mm	Ø11mm	1.48 kg
T33310	60 kg	125mm	Ø48mm	285mm	Ø11mm	0.83 kg

The Slotted Wall Bracket range has been designed to be compatible with the slots featured in unistrut channels.



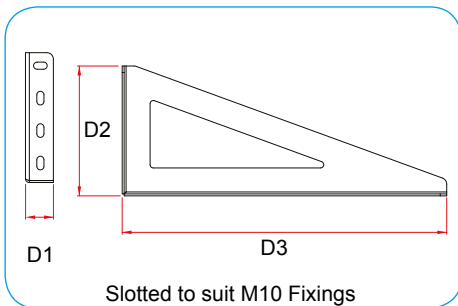
**Studio Rail Slotted Wall Bracket 200mm (single rail)**

	SWL	D1	D2	D3	kg
T84105	25 kg	43mm	125mm	200mm	0.52 kg



**Studio Rail Slotted Wall Bracket 350mm (double rail)**

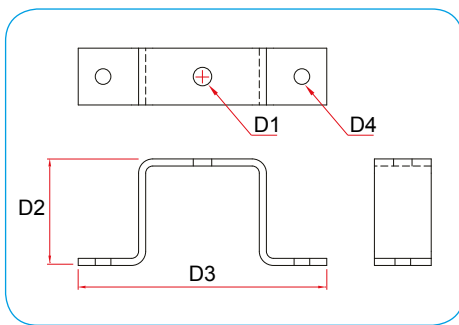
	SWL	D1	D2	D3	kg
T84106	25 kg	43mm	150mm	350mm	0.90 kg



**Studio Rail Slotted Wall Bracket 500mm (triple rail)**

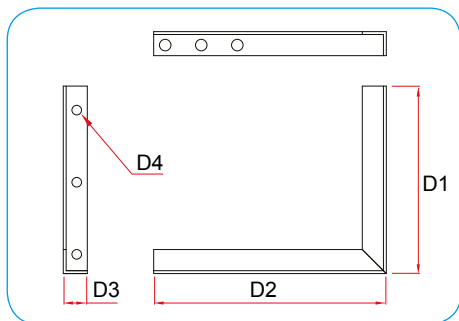
	SWL	D1	D2	D3	kg
T84107	25 kg	43mm	200mm	500mm	1.50 kg





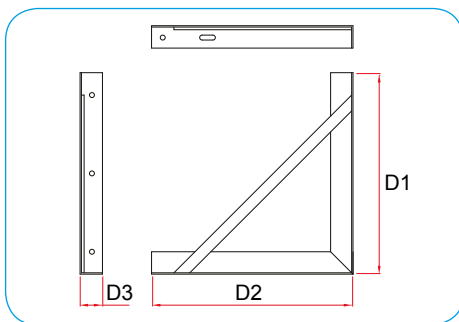
**Ceiling Saddle**

	SWL	D1	D2	D3	D4	kg
T33700	160 kg	13mm	75mm	175mm	Ø11mm	0.44 kg



**Face Fixing Bracket**

	SWL	D1	D2	D3	D4	kg
T34100	15 kg	195mm	242mm	25mm	Ø10mm	0.43 kg



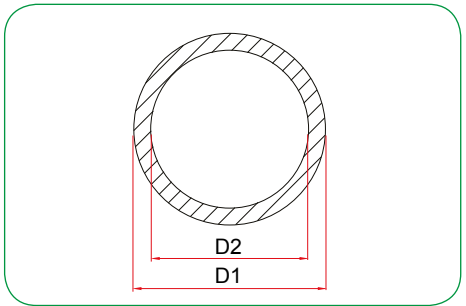
**Wall Bracket (angle iron)**

	SWL	D1	D2	D3	D4	kg
T34000	30 kg	450mm	450mm	50mm	Ø11mm	2.72 kg

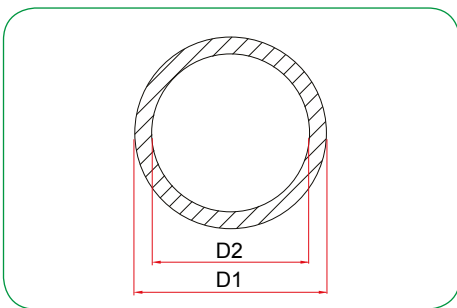
Accepts T30800 Saddle Clamp.

# Pipes & Tubes

A selection of aluminium and galvanised tubes supplied in full or cut lengths. Specified lengths are available on request.

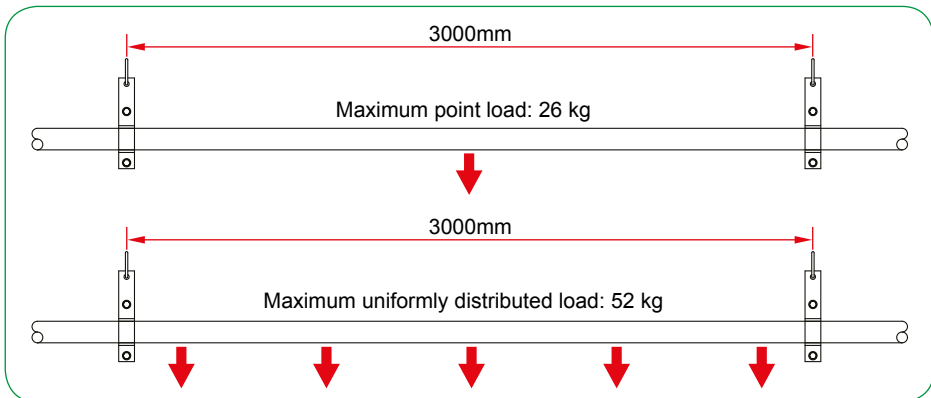
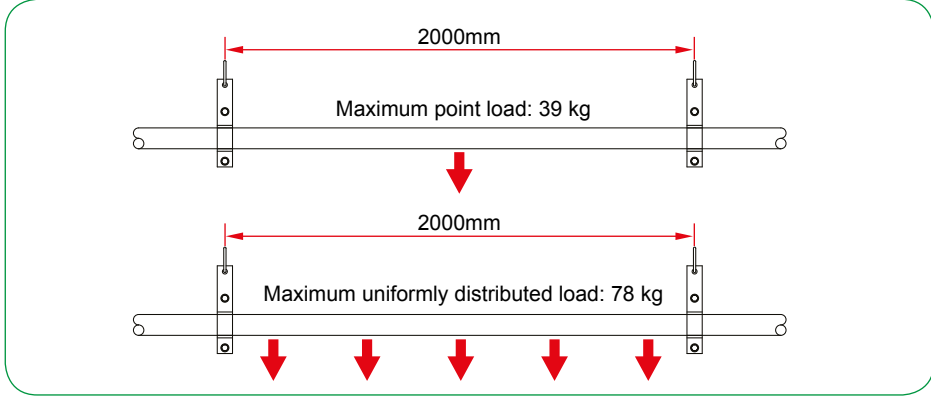


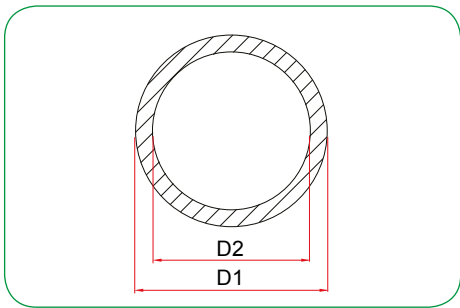
Aluminium Barrel				
	Length	D1	D2	kg
T24000	6m	48.3mm	39.8mm	9.76 kg
T24004	4m	48.3mm	39.8mm	7.00 kg
T24003	3m	48.3mm	39.8mm	4.8 kg
T24002	2m	48.3mm	39.8mm	3.2 kg
T24001	1m	48.3mm	39.8mm	1.6 kg
T24050	2 x 3m with Joiner			



**Aluminium Barrel (black anodised)**

	Length	D1	D2	kg
T2400001	6m	48.3mm	39.8mm	9.76 kg
T2400401	4m	48.3mm	39.8mm	7.00 kg
T2400301	3m	48.3mm	39.8mm	4.80 kg
T2400201	2m	48.3mm	39.8mm	3.20 kg
T2400101	1m	48.3mm	39.8mm	1.60 kg
T2405001	2 x 3m with Joiner			

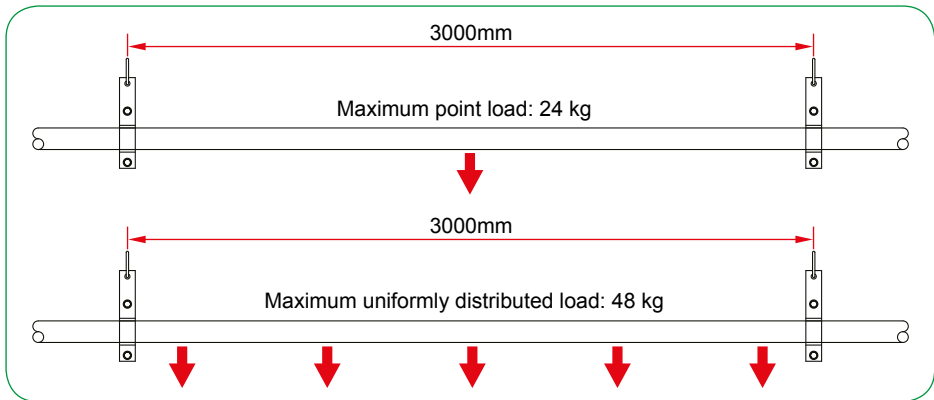
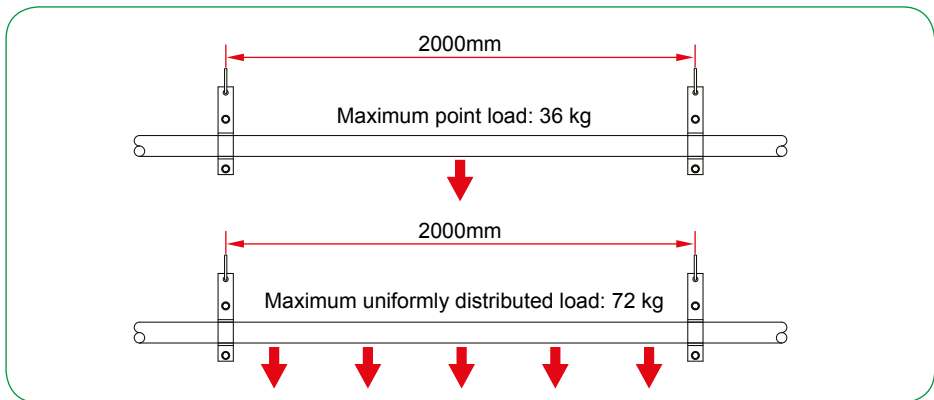




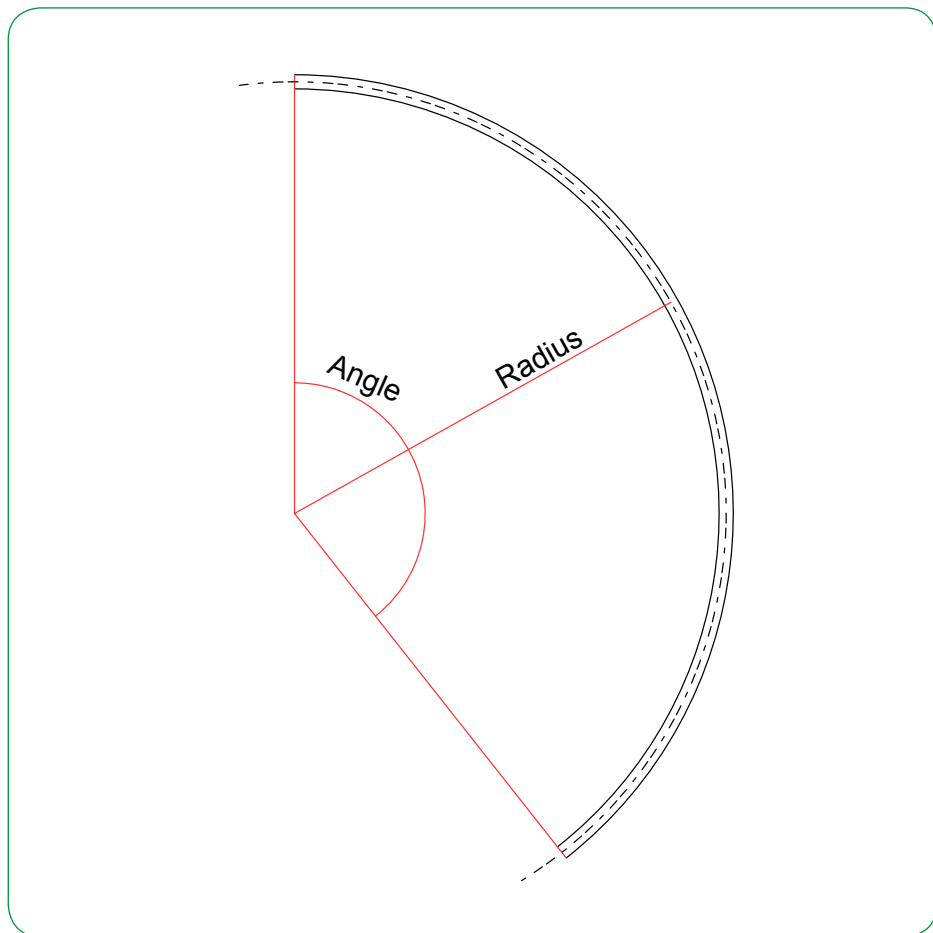
### Galvanised Steel Tube

	Length	D1	D2	kg
T24010	6m	48.3mm	40.3mm	26.7 kg
T24015	2 x 3m with Joiner			

Other sizes available on request.



## Rolled Curves



Doughty Engineering can supply bespoke rolled barrel and pipe curves to customer specifications.

When enquiring specify the material, radius and angle required.

Curves with a length that exceeds 6.0m will be made in sections and supplied with a joiner to suit.

# Scaffold Clamps

Suitable for 48mm diameter steel or aluminium tube, these clamps are useful for quickly creating grids, frames and towers for lighting or scenery from standard tube.

Supplied with an electroplate finish.

These clamps are **not** recommended for permanent installs.



Scaffold Swivel Coupler (pressed steel)

T24800

Ø48mm

0.90 kg



Scaffold Double Coupler (pressed steel)

T24900

Ø48mm

1.02 kg



Drop Forged Swivel Coupler

T24801

Ø48mm

1.18 kg



Drop Forged Double Coupler

T24901

Ø48mm

1.12 kg



Tube Clip Crossover Joint

T25150	Ø48mm	0.37 kg
--------	-------	---------



Scaffold Parallel Coupler

T24905	Ø48mm	0.77 kg
--------	-------	---------



Pipe to Pipe Coupler

T30100	Ø48mm
T30101	Ø38mm



8mm Allen Key Required

Scaffold Solid Tube Joiner

T25108	200mm Lg	Ø48mm	2.64 kg
T2510801 - Black	200mm Lg	Ø48mm	2.64 kg



Scaffold Sleeve Coupler

T25000	Ø48mm	1.00 kg
--------	-------	---------



Scaffold Joint Pin

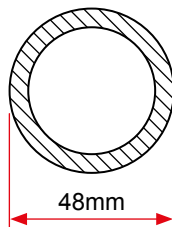
T25100	Ø48mm	0.85 kg
--------	-------	---------

# Speedrail®

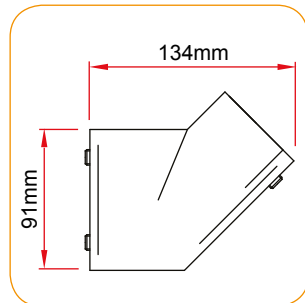
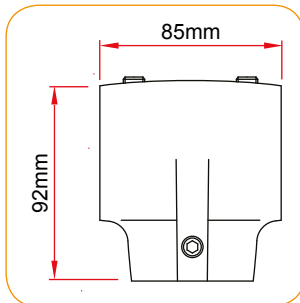
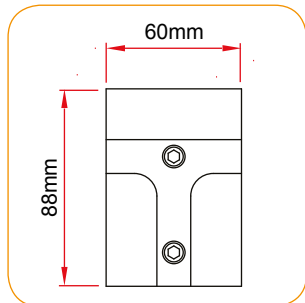
Speedrail is a range of magnesium alloy pipe fittings which are used to create handrails, guards and walkways etc.

Main features:

- High corrosion resistance
- Up to 70% lighter than iron fittings
- 100% salvageable & reusable
- Comparable strength to iron fittings
- All fittings shown here are to suit 48mm tube. Other sizes are available, please contact our technical sales team.



Please note that these are a cast item and as such any dimensions stated may vary slightly from batch to batch, therefore should be used for reference purposes only.



Short Tee (slimline)

T194005E

0.18 kg

Long Tee

T194005

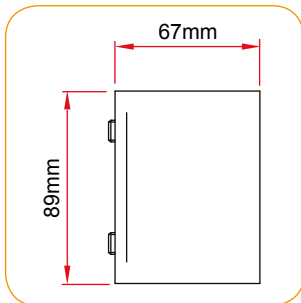
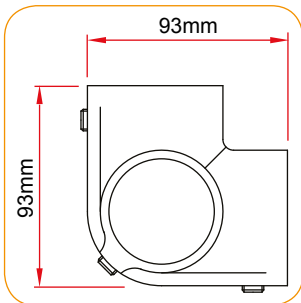
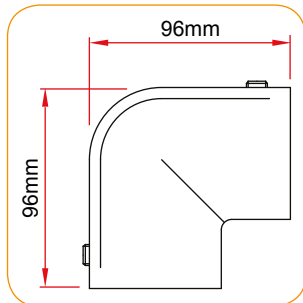
0.29 kg

Angle Tee 45°

T194006

0.41 kg

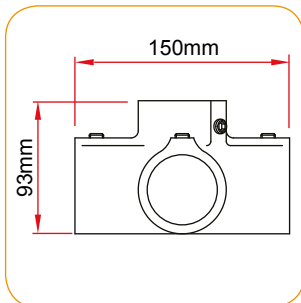
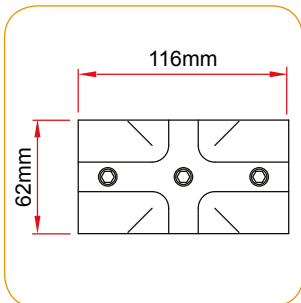
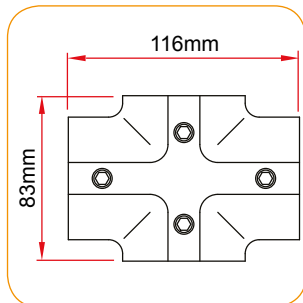




**90° Elbow**  
T194003 0.28 kg

**3-Way 90° Elbow**  
T194009 0.33 kg

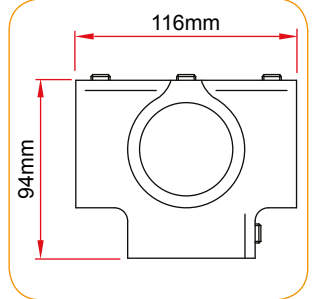
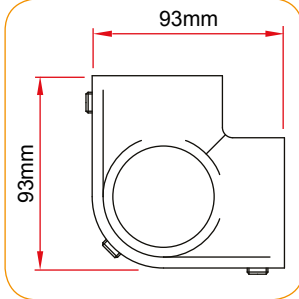
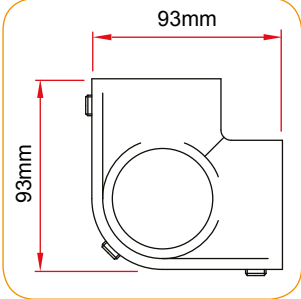
**Sleeve Joint**  
T194070 0.26 kg



**Two Socket Cross**  
T194007 0.35 kg

**Two Socket Cross (slimline)**  
T194007E 0.28 kg

**4-Way Cross**  
T194106E 0.72 kg



**Corner (s) with Thru Tube**

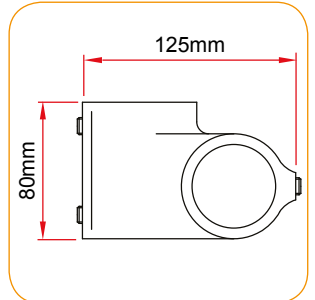
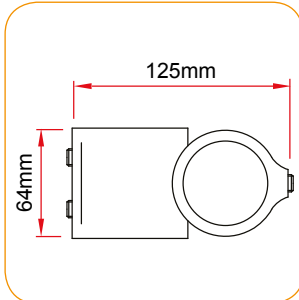
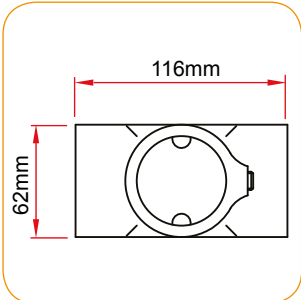
**Corner with Thru Tube**

**Side Outlet Tee**

T194011E      0.25 kg

T194011      0.32 kg

T194013      0.39 kg



**Side Outlet Tee (slimline)**

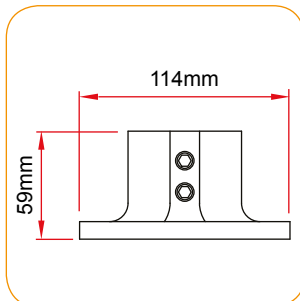
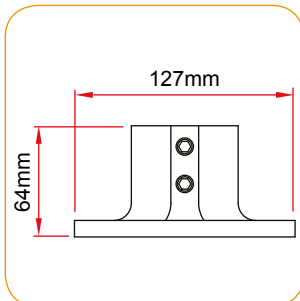
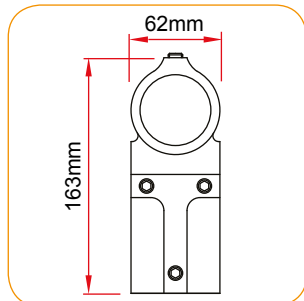
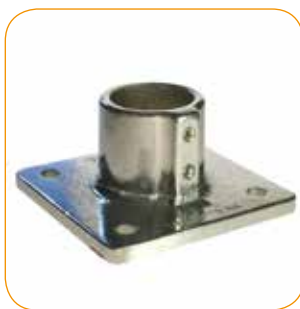
**Short 90° Crossover**

**Long 90° Crossover**

T194013E      0.31 kg

T194012      0.37 kg

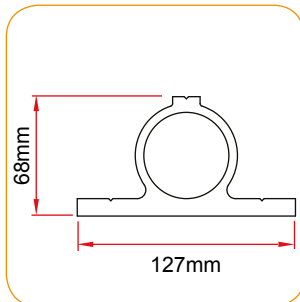
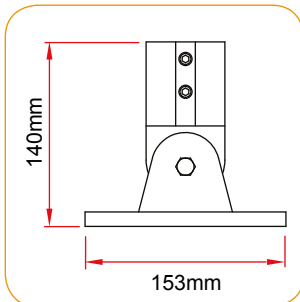
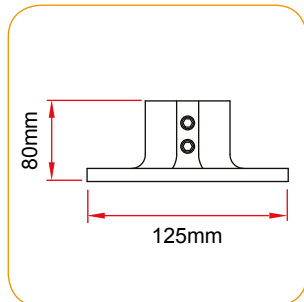
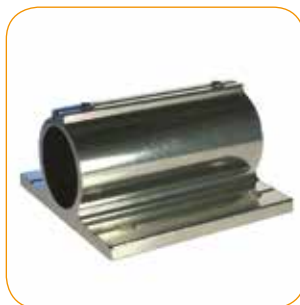
T194010      0.44 kg



**Combination Socket**  
T194104 0.55 kg

**Floor Flange**  
T194045 0.5 kg

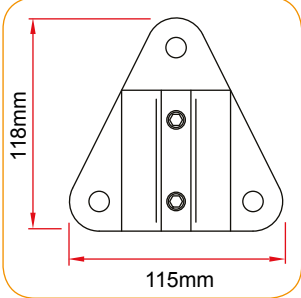
**Base Flange**  
T194042 0.35 kg



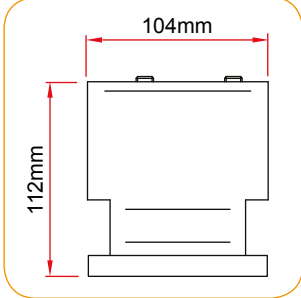
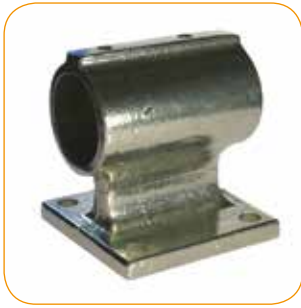
**Flange**  
T194046 0.27 kg

**Adjustable Flange**  
T194046ADJ 0.82 kg

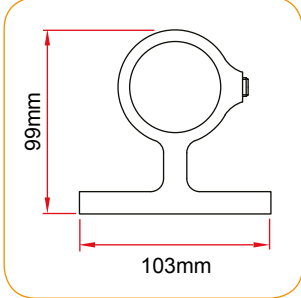
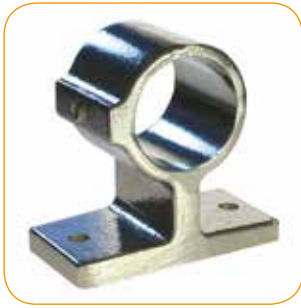
**Wall Flange**  
T194595 0.7 kg



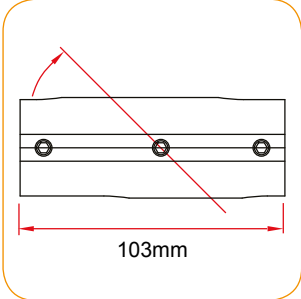
**Side Palm Fixing**  
T194050 0.35 kg



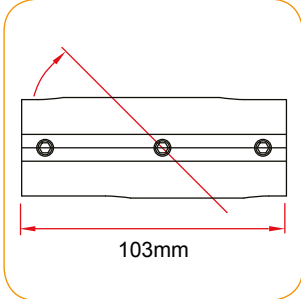
**Railing Side Support**  
T194054/3 0.79 kg



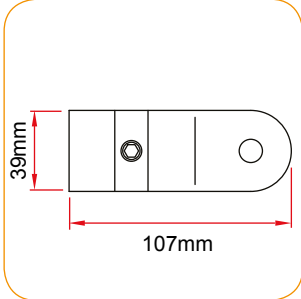
**Support Bracket**  
T194055 0.30 kg



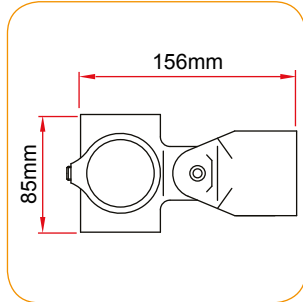
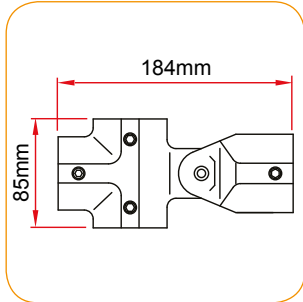
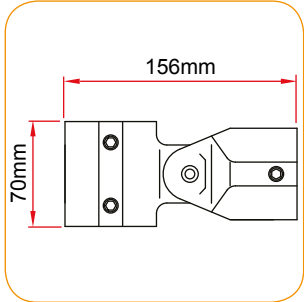
**Angled Cross 10° - 35°**  
T194021-35 0.44 kg



**Angled Cross 30° - 45°**  
T194021-45 0.25 kg



**Male Section of Swivel**  
T194017EM 0.14 kg



**Swivel Elbow / Tee Combo**

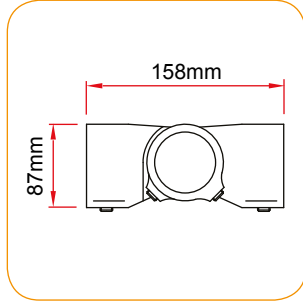
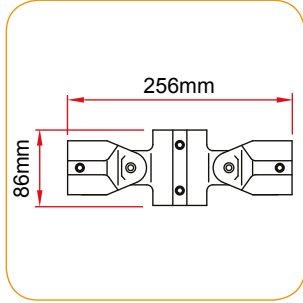
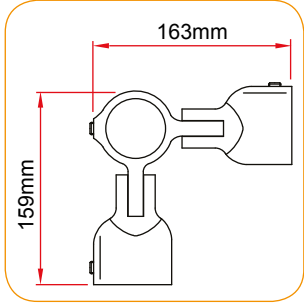
**Swivel Tee Combination**

**Swivel Side Outlet Combo**

T194017ADJ      0.49 kg

T194023      0.52 kg

T194025      0.52 kg



**Swivel Double-Side Combo**

**Double Swivel Combination**

**Short Swivel Tee**

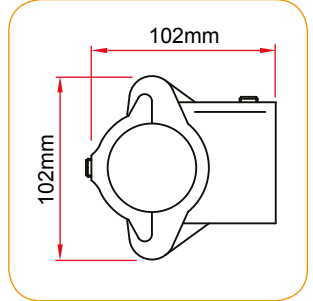
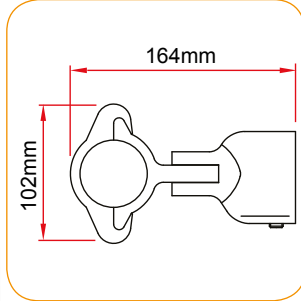
T194027      0.75 kg

T194019      0.75 kg

T194030C      0.54 kg

# Modular Fittings

Designed to fit existing structures.

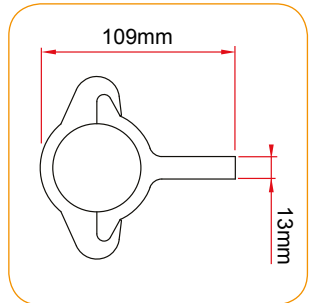
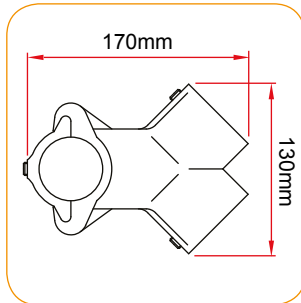
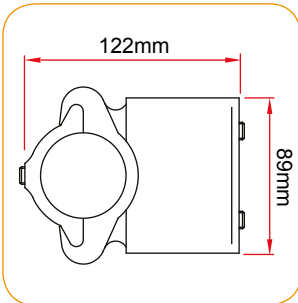


Modular Swivel Elbow / Tee

Modular Tee

T194017S 0.8 kg

T194002S 0.53 kg



Modular 90° Crossover

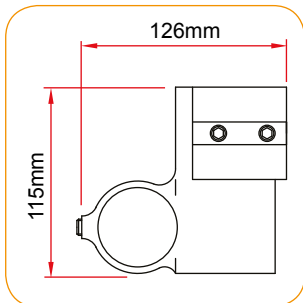
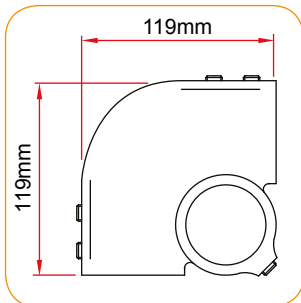
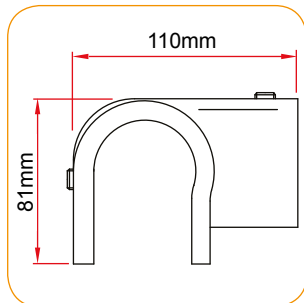
Modular Corner with Thru Tube

Modular Swivel / Tee Male

T194014S 0.64 kg

T194022S 0.25 kg

T194017SM 0.49 kg



**Clamp on Tee**

T194016      0.35 kg

**Outside Corner**

T194020      0.66 kg

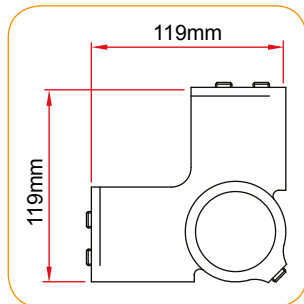
**Rackmaster End Fitting**

T194100      0.77 kg



**Allen Screw**

T194120      Plated



**Rackmaster Centre Fitting**

T194102      0.48 kg

**Plastic Stop End**

T13300      Grey

T13301      Black

**3/16" Allen Key**

T194122

# Pipeclamps

Pipeclamp fittings are malleable iron castings with a galvanised finish to BS729. Pipeclamp standard fittings are available to suit pipes with an external diameter from 33.7mm to 60mm.

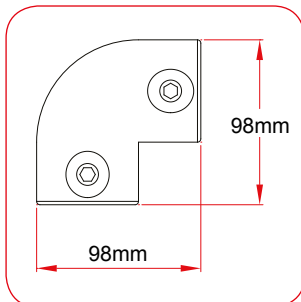
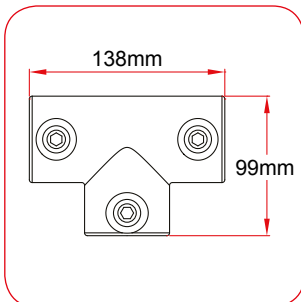
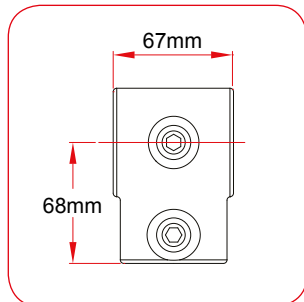
Main features:

- High corrosion resistance
- 100% salvageable & reusable
- All fittings shown here are to suit 48mm tube. Other sizes are available, please contact our technical sales team.

Please note that these are a cast item and as such any dimensions stated may vary slightly from batch to batch, therefore should be used for reference purposes only.







**Short Tee**

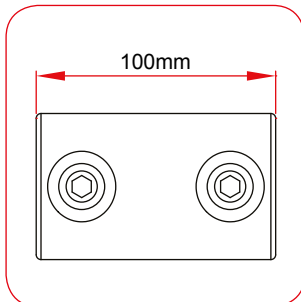
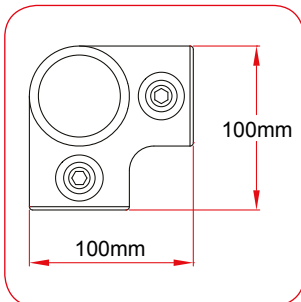
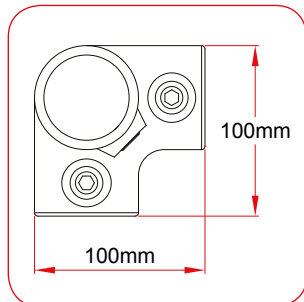
**Long Tee**

**Elbow 90°**

T10100      0.53 kg

T10400      1.04 kg

T12500      0.87 kg



**3-Way Elbow 90°**

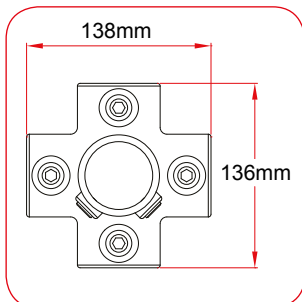
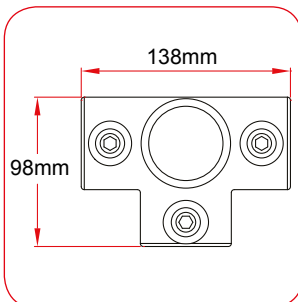
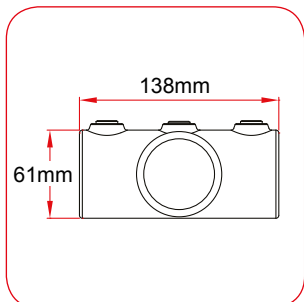
**Corner with Thru Tube**

**Sleeve Joint**

T12800      1.18 kg

T11600      0.92 kg

T14900      0.72 kg



**Two Socket Crossover**

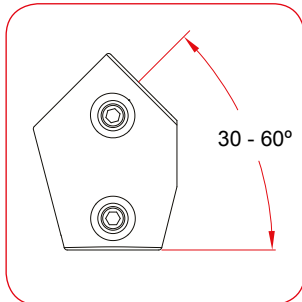
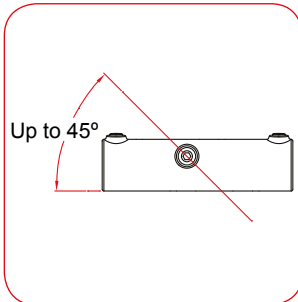
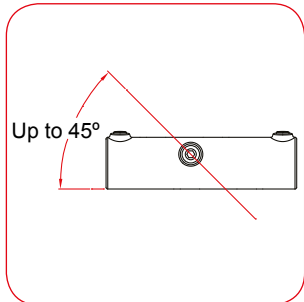
**Side Outlet Tee**

**4-Way Cross**

T11900      0.80 kg

T17600      1.22 kg

T15800      1.58 kg



**Angle Cross slopes to 45°**

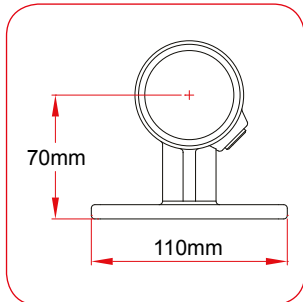
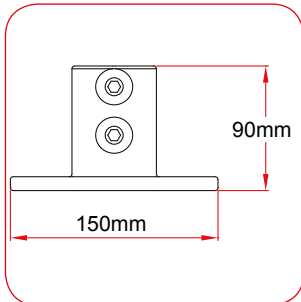
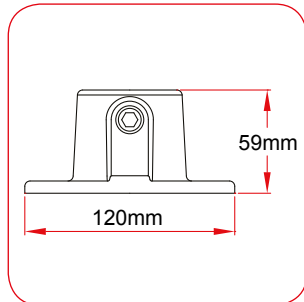
**Angle Tee slopes to 45°**

**Adj Short Tee 30 - 60°**

T12600      1.62 kg

T12700      1.21 kg

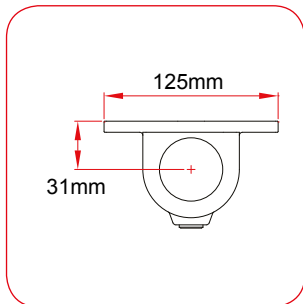
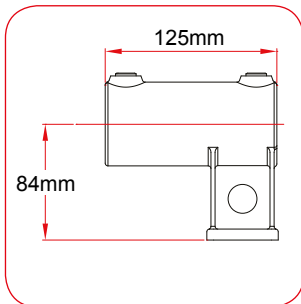
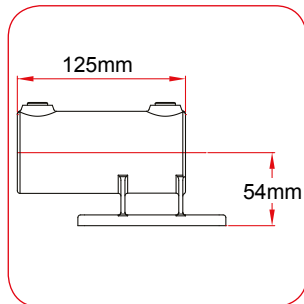
T12900      0.97 kg



**Base Flange**  
T13100 0.85 kg

**Railing Base Flange**  
T13200 1.27 kg

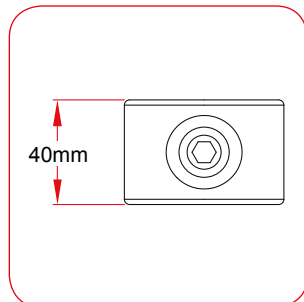
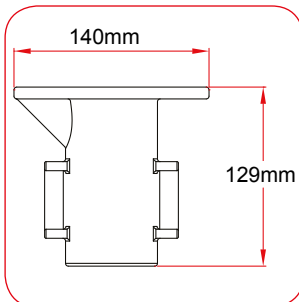
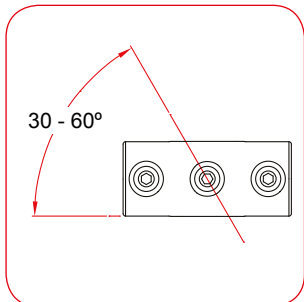
**Handrail Bracket**  
T14300 0.63 kg



**Railing Side Support (V)**  
T14400 1.50 kg

**Railing Side Support (H)**  
T14500 1.02 kg

**Side Palm Fixing**  
T14600 1.04 kg



**Adj Two Socket Cross**

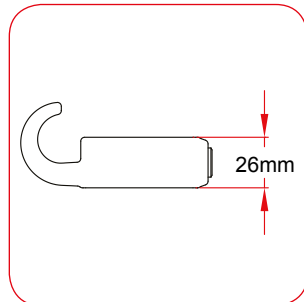
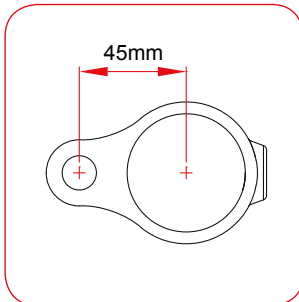
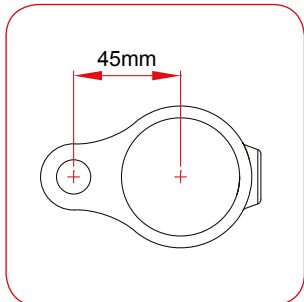
**Ground Socket**

**Locking Collar**

T13000      1.56 kg

T13400      1.95 kg

T17900      0.20 kg



**Gate Eye**

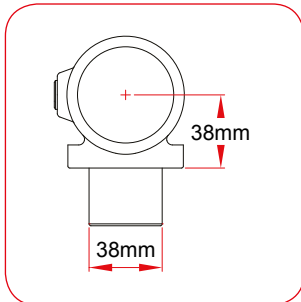
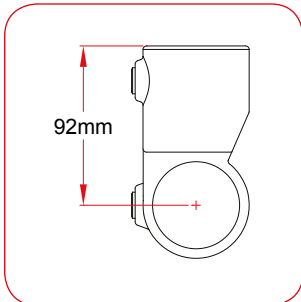
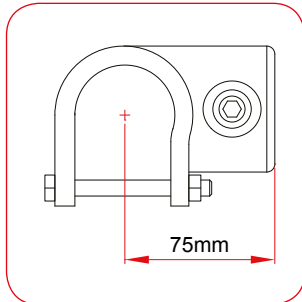
**Gate Hinge**

**Hook**

T13800      0.26 kg

T14000      0.30 kg

T18200      0.34 kg



**Clamp on Tee**

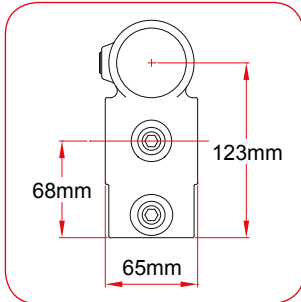
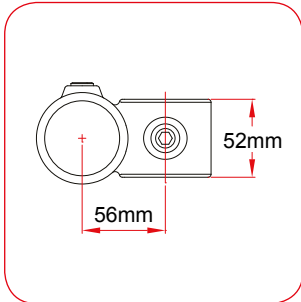
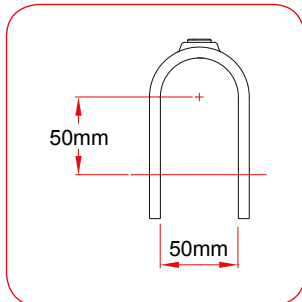
**Short Tee Swivel**

**Internal Swivel Tee**

T13500      0.57 kg

T14800      1.15 kg

T14700      0.61 kg



**Clamp on Crossover**

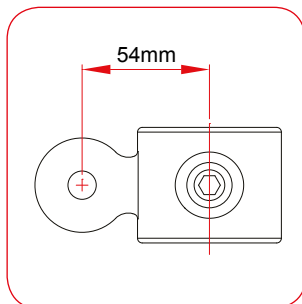
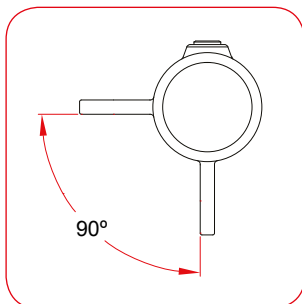
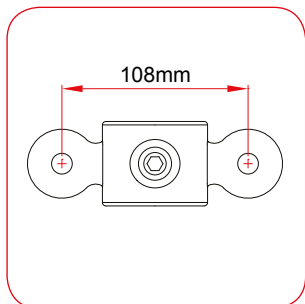
**Crossover 90°**

**Combination Socket Tee**

T16000      0.62 kg

T16100      0.64 kg

T16500      1.02 kg



**Double Male Section of Swivel**

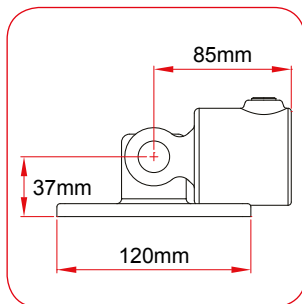
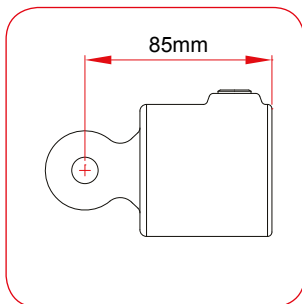
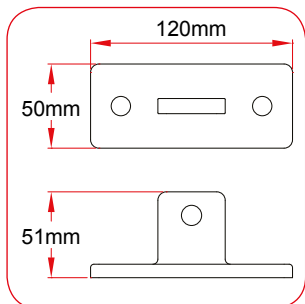
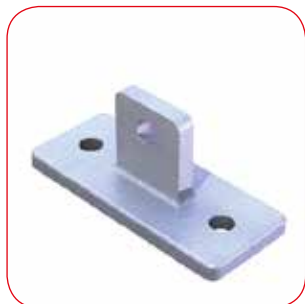
**Corner Swivel Combo 90° (male)**

**Swivel (male section)**

T16700M 0.46 kg

T16800M 0.47 kg

T17300M 0.30 kg



**Swivel Base Section (male)**

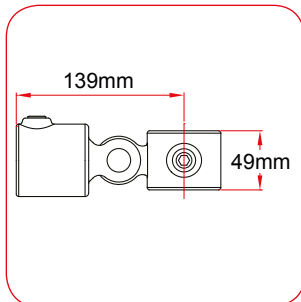
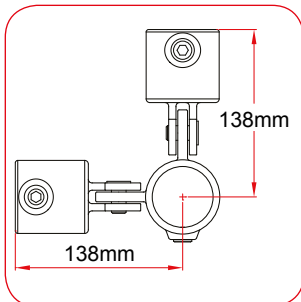
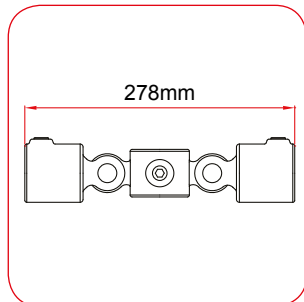
**Swivel (female section)**

**Swivel Base**

T16900M 0.41 kg

T17300F 0.52 kg

T16900 0.99 kg



**Double Swivel Combination**

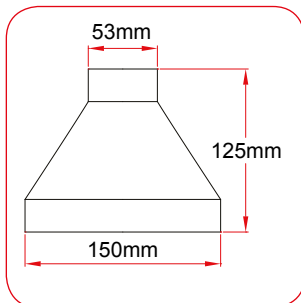
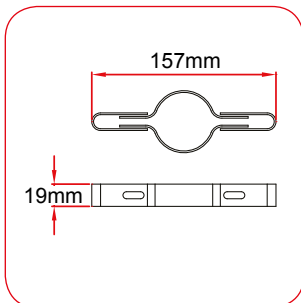
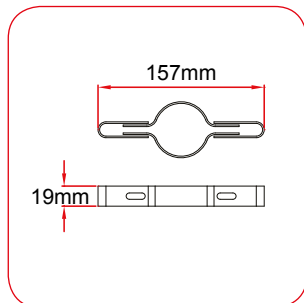
**Corner Swivel Combo 90°**

**Single Swivel Combination**

T16700                      1.72 kg

T16800                      1.72 kg

T17300                      0.98 kg



**Single Mesh Clip**

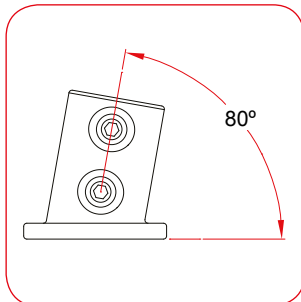
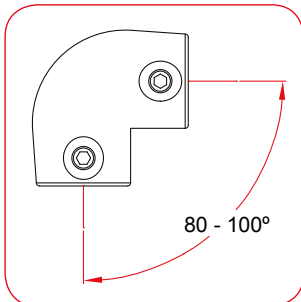
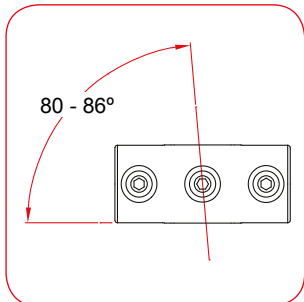
**Double Mesh Clip**

**Base Weather Shield**

T17000                      0.08 kg

T17100                      0.15 kg

T18250                      0.48 kg



**Angled Two Socket Cross**

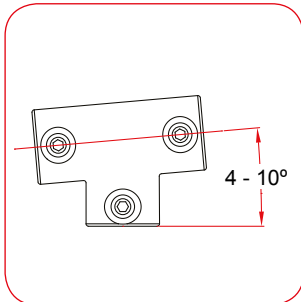
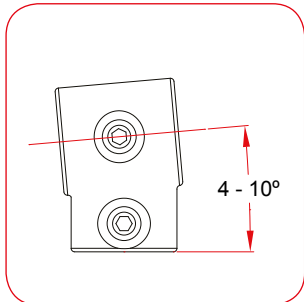
**Angled Elbow**

**Angled Base Flange**

T17625      0.94 kg

T17629      0.93 kg

T17622      1.21 kg



**Angled Single Socket Tee**

**Angled Two Socket Tee**

**Plastic Stop End**

T17620      0.72 kg

T17621      1.28 kg

T13300      Grey  
T13301      Black





**Allen Screw**

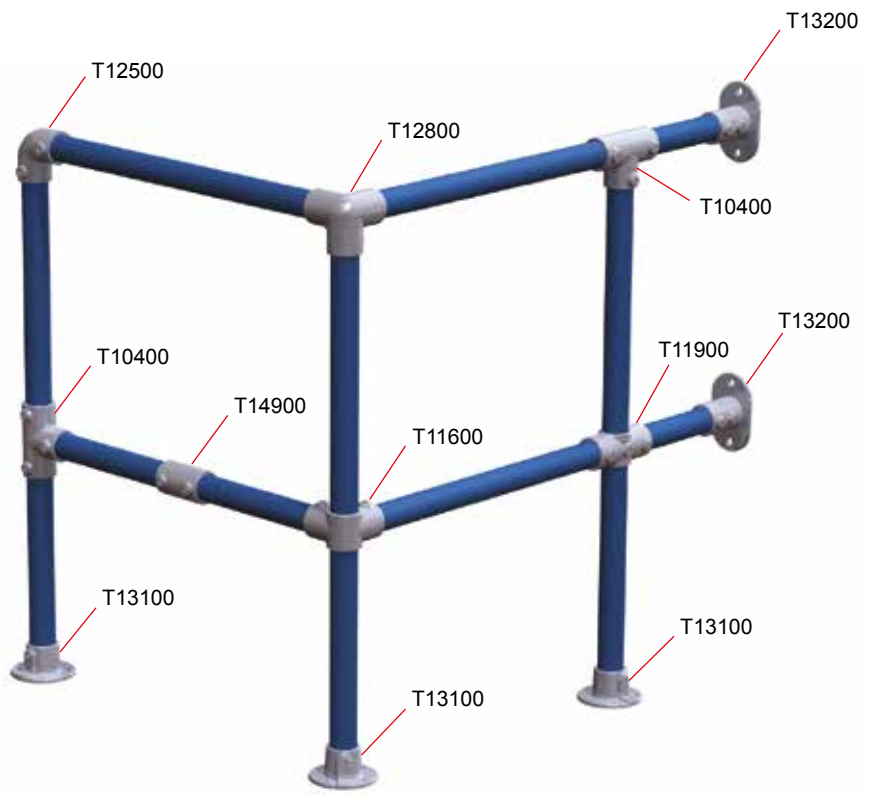
**Ratchet Key**

**8mm Allen Key**

T19300

T19100      6 & 8mm

T19200      8mm



# Doughty Rail

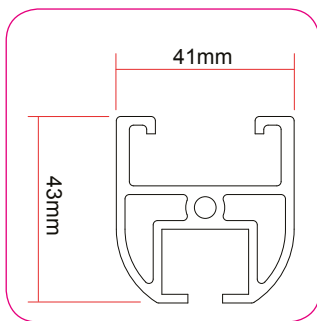
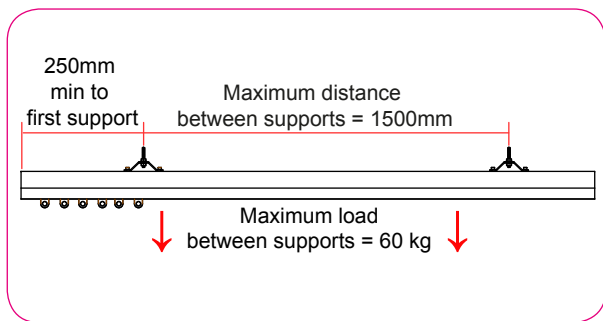
Doughty Rail is an Extruded Aluminium Walk Along Curtain Rail System. The system has been designed to have a low profile with compact ball raced curtain runners. The top suspension channel is dimensioned to work with 'Unistrut' nuts.

Available powder painted black or natural aluminium.

Main features:

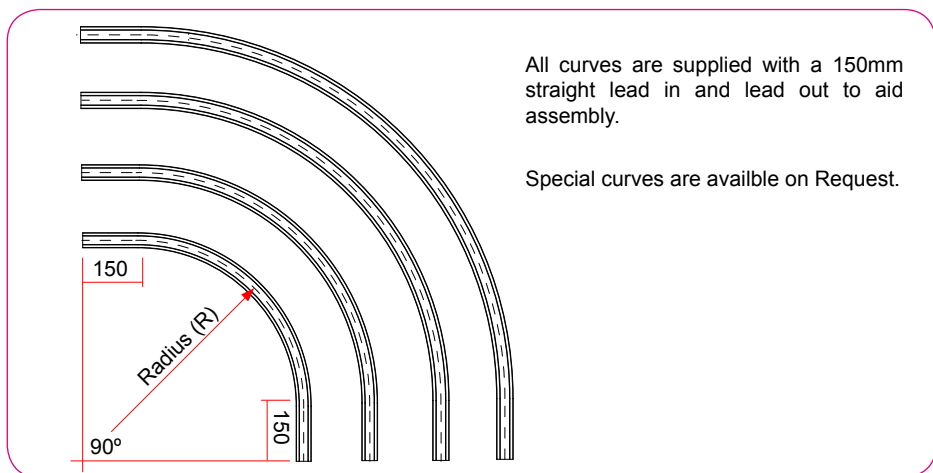
- Low profile extruded aluminium section
- Can be cut to length on-site
- Curves from 450mm radius
- Single swipe or overlap curtains
- Ball raced runners with 6 kg SWL
- Walkalong only system
- Finished in black powder coat or natural aluminium





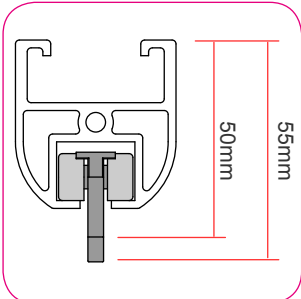
### Straight Rails

Silver			Black		
T81000	1m	2.90 kg	T81001	1m	2.90 kg
T81010	2m	4.30 kg	T81011	2m	4.30 kg
T81020	3m	5.80 kg	T81021	3m	5.80 kg

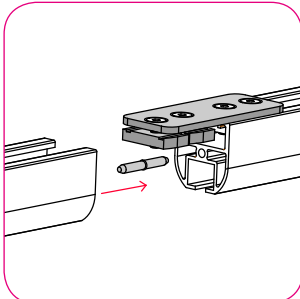


### Curved Rails 90°

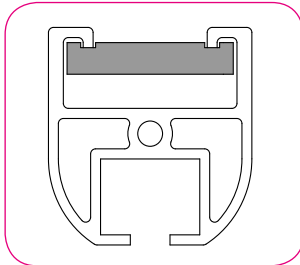
Silver			Black		
T81050	R=45cm	2.15 kg	T81051	R=45cm	2.15 kg
T81060	R=60cm	2.49 kg	T81061	R=60cm	2.49 kg
T81070	R=75cm	2.83 kg	T81071	R=75cm	2.83 kg
T81080	R=90cm	3.18 kg	T81081	R=90cm	3.18 kg



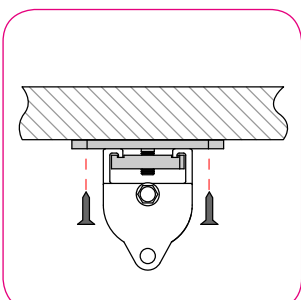
**Ball Raced Runner**  
T81200 0.46 kg



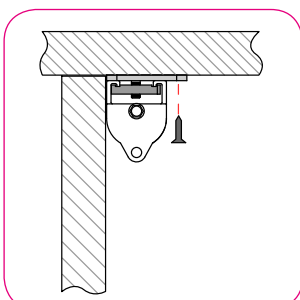
**Joint Kit**  
T81100 0.47 kg



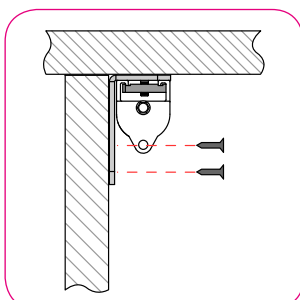
**Channel Nut**  
T81190 M6  
T81191 M8  
T81192 M10



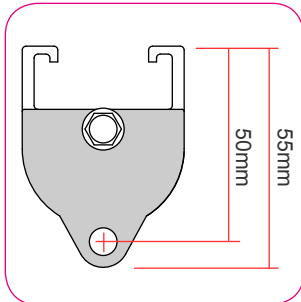
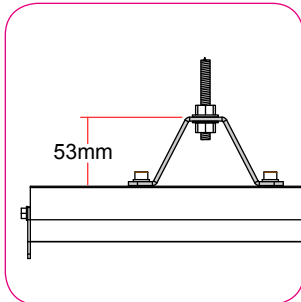
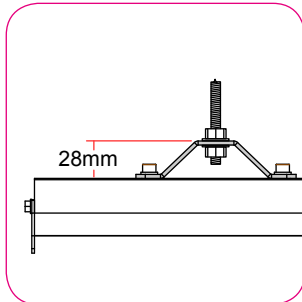
**Ceiling Bracket**  
T81110 0.41 kg



**Corner Ceiling Bracket**  
T81120 0.52 kg



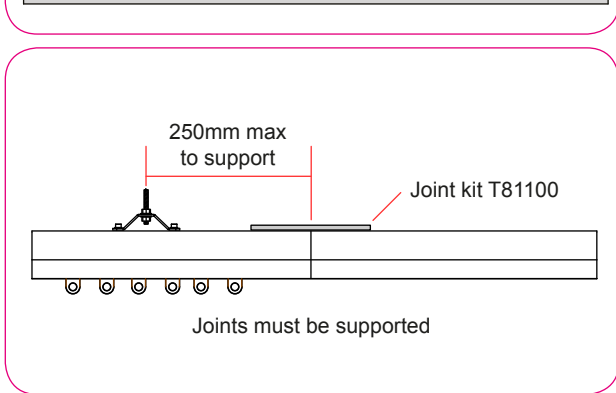
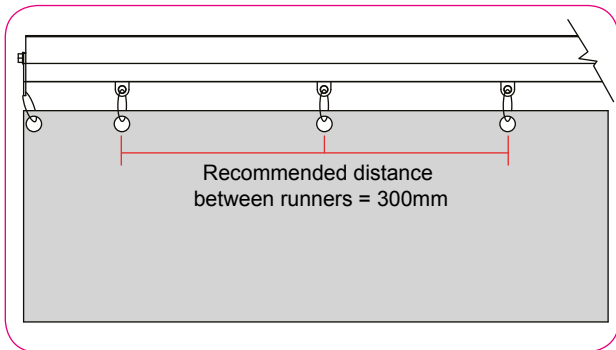
**Wall Bracket**  
T81170 0.99 kg



**25mm Top Hat Bracket**  
T81140 0.46 kg

**50mm Top Hat Bracket**  
T81150 0.47 kg

**End Stop**  
T81160 0.30 kg



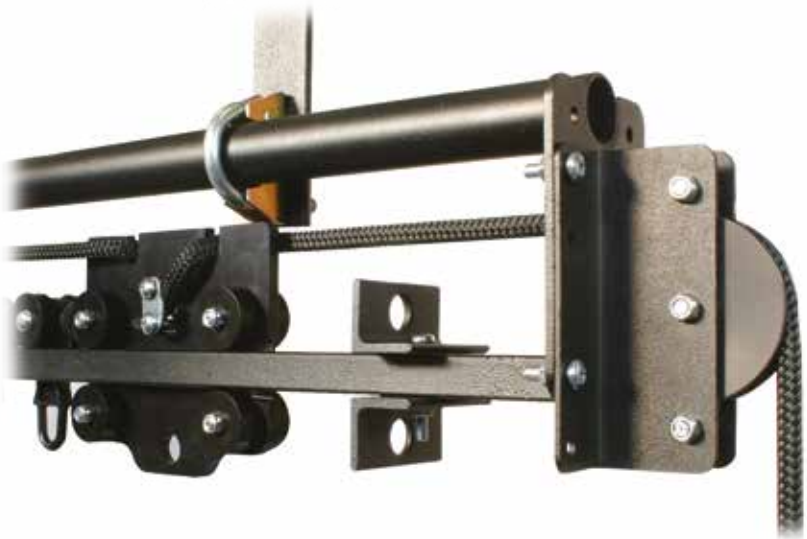
**Slide In End Stop**  
T81161 0.41 kg

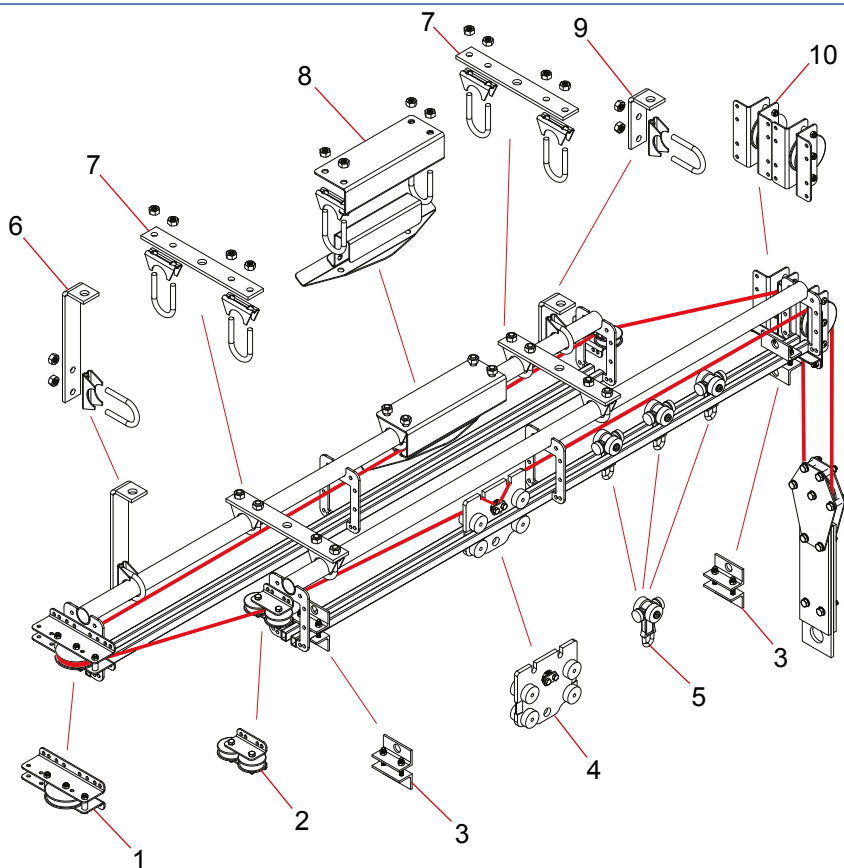
# Six Track

Six Track is a modular curtain track system suitable for a wide range of stage and studio applications. The information in this brochure is for standard products to suit most typical applications. We also offer curved tracks and special systems built to your requirements. Please contact our technical sales team for further details.

## Main features:

- Strong steel fabrication using a tubular top hanging bar and rectangular section tube rails
- Straight lengths up to 3 metres
- Curves from 500mm radius
- Single swipe or overlap curtains
- Ball raced runners with 6 kg SWL
- Walkalong, handline, hand winch and electric options
- Black powder coated finish





- |                               |                                      |
|-------------------------------|--------------------------------------|
| 1. T63775 Return Pulley       | 6. T63750 Adjustable Support Bracket |
| 2. T63778 Double Guide Pulley | 7. T63752 Overlap Bracket            |
| 3. T63760 End Stop            | 8. T63770 Line Support               |
| 4. T63755 Master Runner       | 9. T63751 Short Support Bracket      |
| 5. T63756 Ball Raced Runner   | 10. T63776 Twin Head Pulley          |

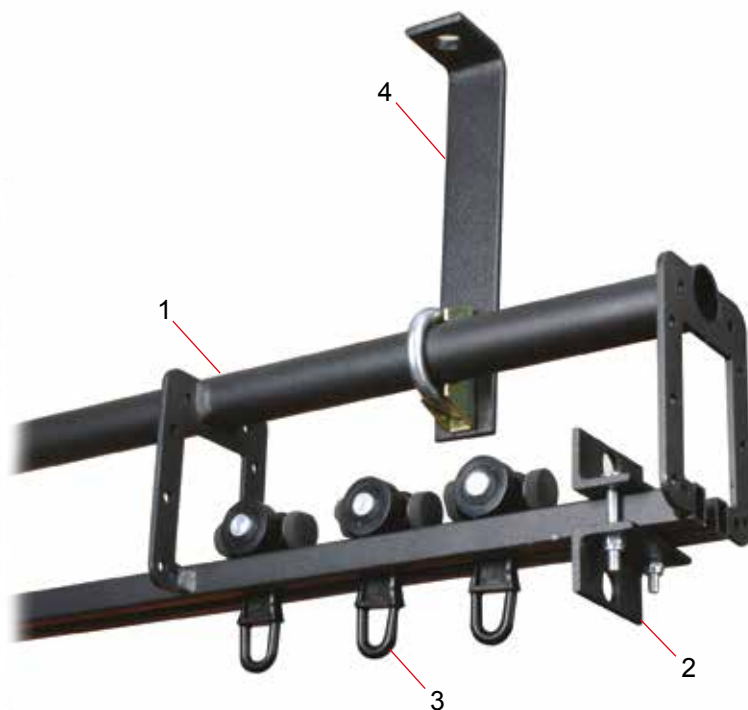
#### Recommendations:

1. Maximum length for an overlap track is 18 metres
2. Maximum length for a single track is 10 metres
3. Maximum span between supports (cloth open) 2.25 metres
4. Maximum span between supports (cloth bunched) 1.60 metres
5. Maximum runner spacing 300mm
6. Maximum load per runner 6 kg
7. Line guides should be fitted at 2.5 metre intervals on straight sections
8. Six track has been designed for use with 8mm pre-stretched polyester cord

# Walkalong Track Kits

Walkalong track kits include all the components required to install your chosen track length. A typical kit comprises track, end stops, ball raced runners, adjustable support brackets and a nut and bolt set.

Note: Other support brackets and fasteners may be required depending on individual installation methods.



1. Straight track
2. T63760 End stops (2 pairs per kit)
3. T63756 Ball raced runners (1 per 300mm of track)
4. T63750 Adjustable support brackets (1 per 1500mm of track)

## Walkalong Six Track Kits

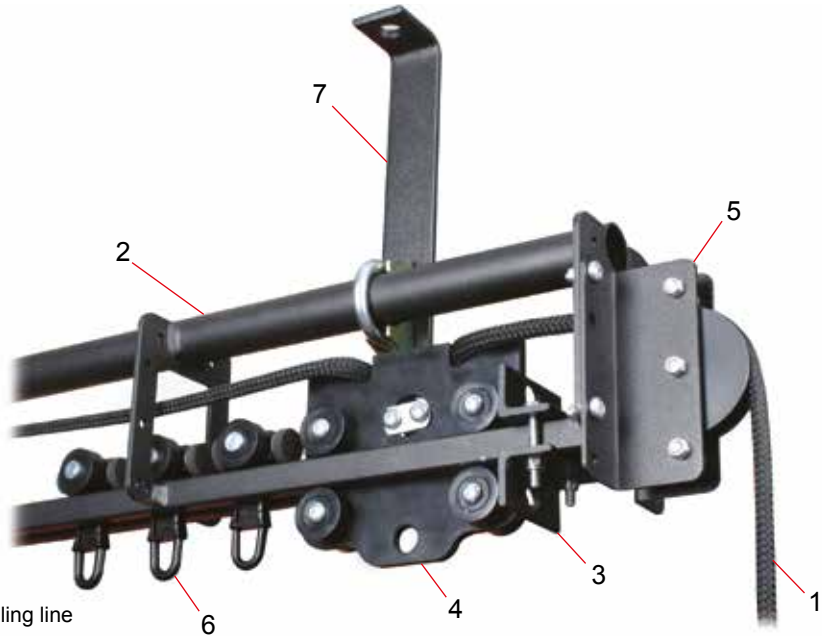
T63941	4m	T63945	8m	T63949	12m
T63942	5m	T63946	9m	T63950	13m
T63943	6m	T63947	10m	T63951	14m
T63944	7m	T63948	11m	T63952	15m



# Line Operated Track Kits

Line operated track kits include all the components required to install your chosen track length. A typical kit comprises track, adjustable support brackets, a nut and bolt set, master runner, pulleys, hauling line, line supports and a weighted hand pulley.

Note: Other support brackets and fasteners may be required depending on individual installation methods.



1. Hauling line
2. Straight track
3. T63760 End stops (2 pairs per kit)
4. T63755 Master runner (1 per Kit)
5. Pulleys (1 return pulley & 1 twin head pulley)
6. T63756 Ball raced runners (1 per 300mm of track)
7. T63750 Adjustable support brackets (1 per 1500mm of track)
8. Line support and weighted hand pulley (not shown)

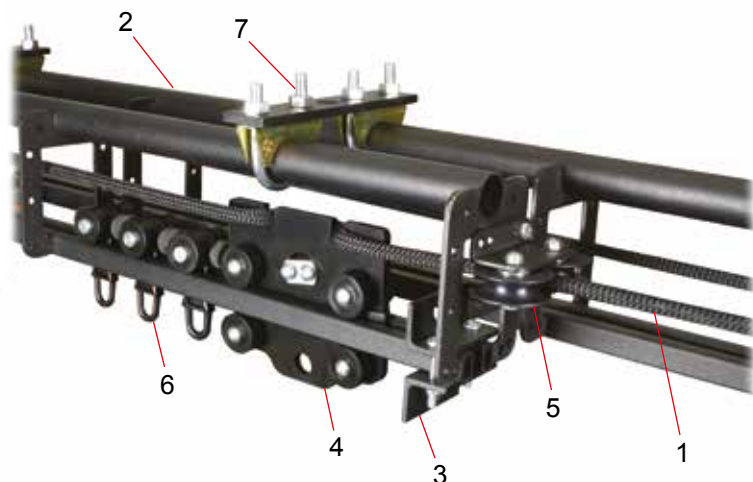
## Line Operated Six Track Kits

T63908	4m	T63912	8m	T63916	12m
T63909	5m	T63913	9m	T63917	13m
T63910	6m	T63914	10m	T63918	14m
T63911	7m	T63915	11m	T63919	15m

# Line Operated Track Kits with Overlap

Line operated track kits with overlap include all the components required to install your chosen track length. A typical kit comprises track, end stops, ball raced runners, adjustable support brackets, a nut and bolt set, master runners, pulleys, hauling line, line supports, overlap brackets, overlap pulleys and a weighted hand pulley.

Note: Other support brackets and fasteners may be required depending on individual installation methods.



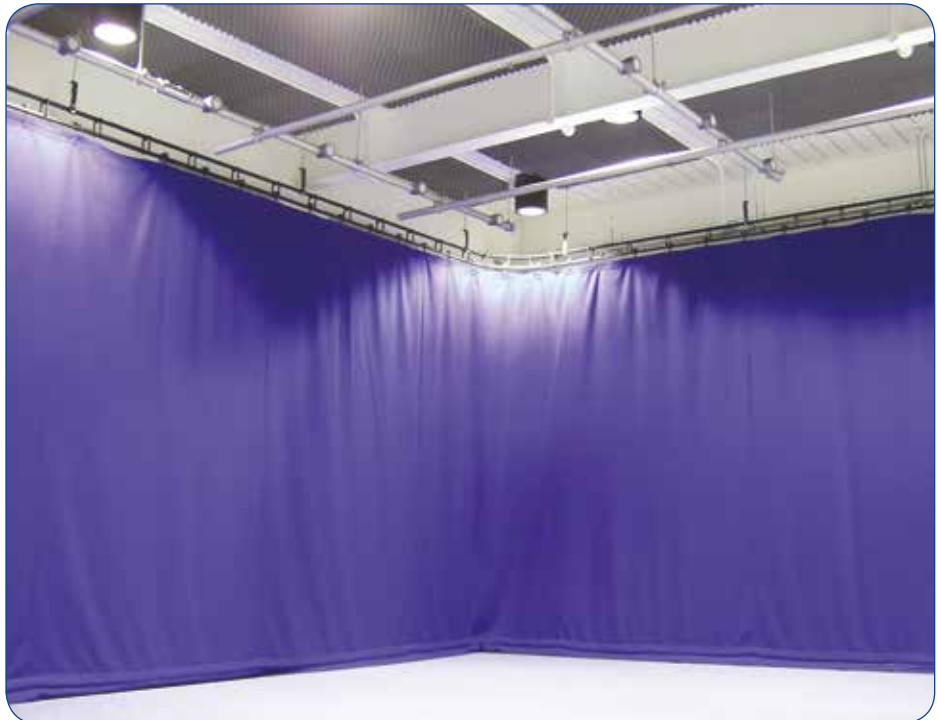
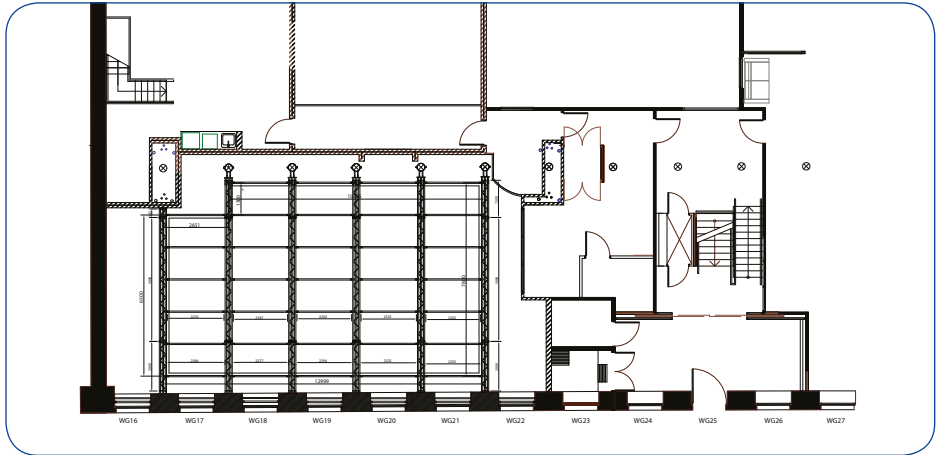
1. Hauling line
2. Straight track
3. T63760 End stops (2 pairs per kit)
4. T63755 Master runner (2 per Kit)
5. Pulleys (2 guide pulleys, 1 return pulley & 1 twin head pulley)
6. T63756 Ball raced runners (1 per 300mm of track)
7. T63752 Overlap brackets (2 per Kit)
8. Line supports, weighted hand pulley and adjustable support brackets (not shown)

## Line Operated Track Kits with Overlap

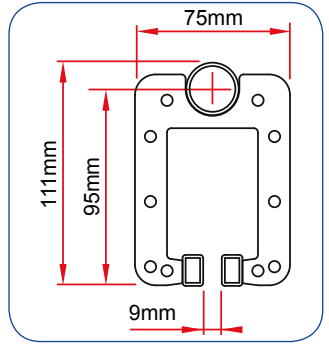
T63920	4m	T63924	8m	T63928	12m
T63921	5m	T63925	9m	T63929	13m
T63922	6m	T63926	10m	T63930	14m
T63923	7m	T63927	11m	T63931	15m

# Bespoke Kits

Doughty Engineering Ltd offer a bespoke Six Track kit service. Simply submit your building plans or architect's drawings and our technical sales team will create a quote and parts list to suit your installation.

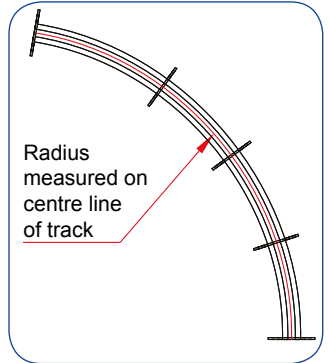


# Track Sections



## Six Track Straight Track Sections

T63705	Straight Track Section - 0.25m	0.63 kg
T63706	Straight Track Section - 0.5m	1.19 kg
T63707	Straight Track Section - 0.75m	1.99 kg
T63708	Straight Track Section - 1m	2.69 kg
T63710	Straight Track Section - 2m	4.47 kg
T63715	Straight Track Section - 3m	6.71 kg



## Six Track Curved (Radius) Track Sections

90 Degrees			45 Degrees		
T63730	0.5m x 90°	1.96 kg	T63735	0.5m x 45°	1.00 kg
T63733	0.6m x 90°	2.17 kg	T63736	0.75m x 45°	1.40 kg
T63731	0.75m x 90°	2.73 kg	T63737	1m x 45°	1.82 kg
T63734	0.9m x 90°	3.50 kg	Notes: 2 metre curves are supplied as 2 sections, 3 metre curves are supplied as 3 sections. Special straight sections and radius curves can be made to order, contact our technical sales team.		
T63732	1m x 90°	3.62 kg			
T63738	2m x 90°	7.20 kg			
T63739	3m x 90°	10.8 kg			

T63726

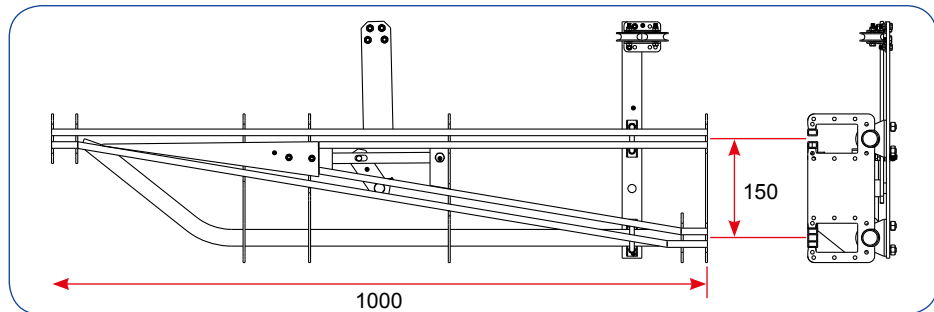


T63727

## Six Track Points System (left handed)

T63726

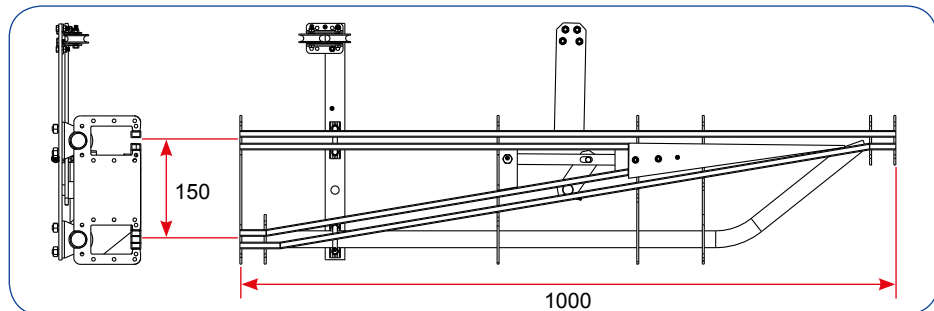
7.69 kg



## Six Track Points System (right handed)

T63727

7.69 kg





Bolt On End Plate

T63765

With the Bolt On End Plate, standard length track may be cut to any length and the end replaced on site. There is no need for any on site welding.

Two M5 holes will need to be drilled.



Adaptor Plate

T63766

The Adaptor Plate uses three expanding plugs to terminate a standard piece of track which has been cut to a special length. This plate allows runners to pass through it, allowing it to be used mid track.



End Stop - Curtain Anchor

T63760

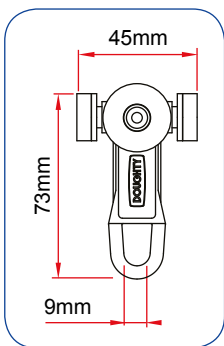
Six Track End Stops are used to stop the master runner at the end of a track run, they are also used to anchor the curtain at the start of a track.



Line Support

T63770

The Line Support bracket eliminates any sag in long hauling lines.

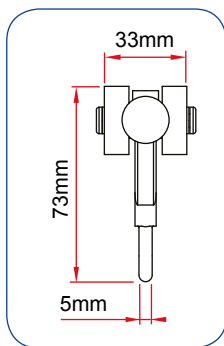


### Ball Raced Runner

T63756

SWL 6 kg

Recommended runner spacing 300mm.

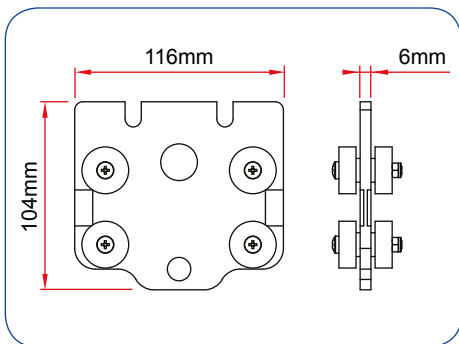


### Plain Runner (without bearings)

T63757

SWL 6 kg

Recommended runner spacing 300mm.

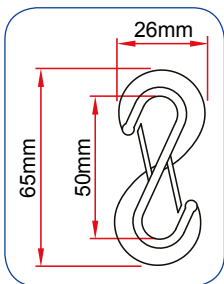


### Master Runner (ball raced)

T63755

SWL 6 kg

Master Runners are used to lead the curtain, the hauling line ends are also joined on the Master Runner.



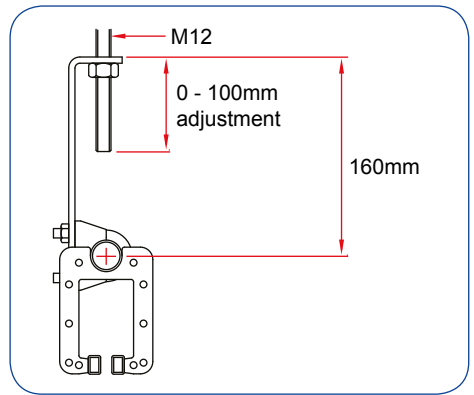
### Nylon Twin Hook

T63796

SWL 6 kg

Twin Hooks are used to connect curtains to Six Track runners.

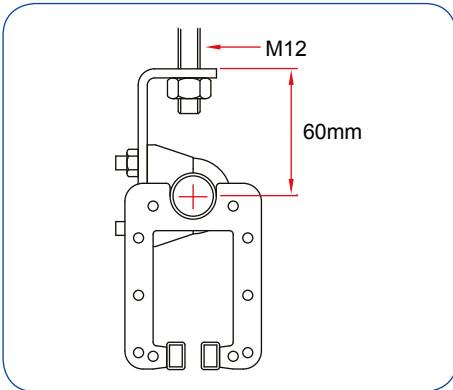




### Adjustable Support Bracket

T63750

Six Track is generally suspended from its top rail using adjustable support brackets on M12 Studding, allowing up to 100mm of adjustment. In confined spaces, short support brackets can be used.



### Short Support Bracket

T63751

Short Support Brackets are ideally used where space is limited.

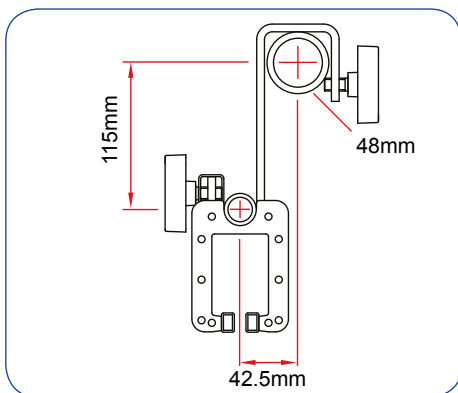


### Top Rail Clamp (29mm "U" bolt)

T63749

The Top Rail Clamp is sold separately when custom bracketry is required for special installations where standard brackets cannot be used.

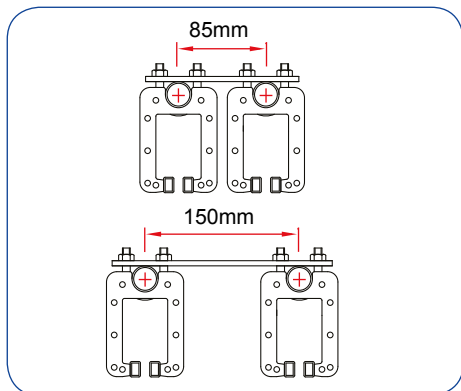




### Barrel Bracket

T63753

Barrel Brackets are used to suspend overlap curtain tracks from a 48mm barrel, truss section or lighting bar.



### Overlap & Parallel Brackets

T63752 Overlap Bracket

85mm centres

T63754 Parallel Bracket

150mm centres

Overlap brackets are used to space two tracks apart to create an overlap whilst parallel brackets are used to space twin perimeter tracks.



### Swing Arm Boom

T63785

SWL 100 kg

The Swing Arm Boom has been specifically designed to allow single tracks to be mounted to scaffold tubes and lighting bars.

Tube centres are 71mm.



Return Pulley

T63775

The Six Track Return Pulley is used to return the hauling line around the end of a track run.



Twin Head Pulley

T63776

The Twin Head Pulley diverts the hauling line from horizontal to vertical to enable a drive unit or weighted pulley to be used.



Single Guide Pulley

T63777

The Single Guide Pulley ensures a smooth trouble free operation when used with line operated curves etc.



Double Guide Pulley

T63778

The Double Guide Pulley is used to divert the hauling line from one track to another in an overlap system.



1.3 kg Weighted Handline Pulley

T63820

Weighted Handline Pulleys are designed to maintain tension on manual hauling lines.



Floor Fixing Handline Pulley

T63825

The Floor Fixing Handline Pulley is designed to maintain tension on manual hauling lines.

This pulley enables the tension to be adjusted.



Sprung Floor Pulley

T63830

The Sprung Floor Pulley is floor fixed and maintains a constant tension on manual hauling lines.



Hauling Line

T63780

200m reel

8mm black pre-stretched polyester

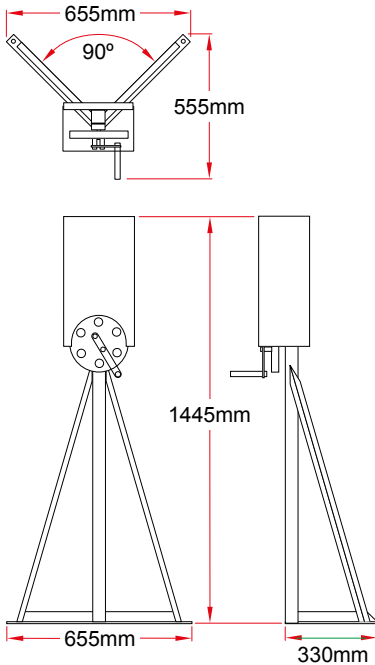


Fixing Kit

T63795 Six Track fixings

100 no

# Manual Track Drives



Floor Mounted



Wall Mounted

## Manual Track Drives

T63840	Wall mounted
T63841	Floor mounted

Designed for hauling curtains to a maximum of 15 metres (not for lifting). The Manual Track Drive units are fitted as part of the continuous loop hauling line. They incorporate a hauling line tensioning system, and can be either wall or floor mounted.

# Electric Track Drives



Designed for hauling curtains to a maximum of 25 metres (not for lifting). The Electric Track Drive Unit is fitted as part of the continuous loop hauling line. The system includes a hauling line tensioning system and a track mounted motorised capstan. The track drives are available as single phase complete with a wall mounted variable speed control unit or 3 phase fixed speed with wall mounted control unit. The control unit includes an emergency stop and is supplied with two limit switches for track mounting. The kit comes with 10 metres of electrical cable and 50 metres of 24 volt control cable for the limit switches.

An optional open/close remote control unit is also available.

## Electric Track Drives

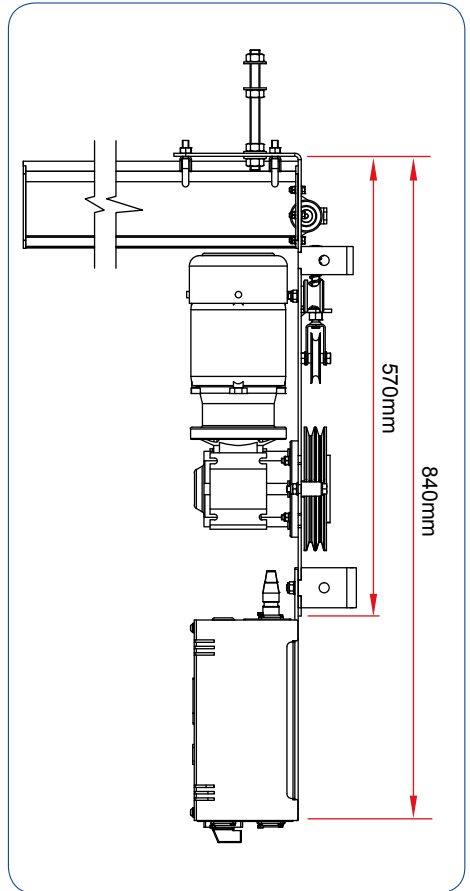
T63845	1 Phase Track Mounted Drive
T6384503	3 Phase Track Mounted Drive
T63850	Optional Remote Control

## PLC Track Drive

The Six Track PLC Track Drive is a plug and play single phase Six Track Drive System. The PLC control box enables a variable drive system, the control box is demountable and can be situated remotely if required.

The system uses a 0.12kw 50Hz motor capable of hauling 75 kg of drapes in a straight run and 50 kg when curves are used.

Power and limit switch connections are made using industry standard connectors enabling cable to be altered or made on site quickly and easily.



## Components

Each Track Drive System comprises of:

1. Motor Drive Unit
2. PLC Control Box
3. Pendant
4. Pair of limit switches and brackets
5. Power Cable

Note: If the control box is to be situated remotely an extension cable is required between the control box and motor.



## Pendant

T63862

Pendant

Pendants are supplied with a 10m Cable and XLR connector fitted.  
The pendant also has the facility to be daisy chained.

## PLC Track Drives

T63860	PLC DRIVE SYSTEM - STANDARD	UP TO 0.7M / SEC
T63865	PLC DRIVE SYSTEM - SLOW	UP TO 0.3M / SEC

The PLC Drive system is available in two speeds. The standard speed drive and the slower speed drive which is more suited to Crematoriums etc.



# Easydeck

Easydeck is a modular performance system, perfectly suited for use in the smaller venue. Designed after extensive consultation with drama teachers, amateur groups and rental companies, the system provides an efficient, cost effective solution to temporary staging. Easydeck is a 'no fuss' system which is simplicity itself to install and requires no special tools to assemble.

Easydeck modules are 1000mm x 1000mm. The frames are powder painted. The Deck Panels are phenol coated birch ply with a smooth surface and a non slip surface on opposing sides.

Easydeck conforms to DIN 53799, BS6566:1 1985.

Easydeck Frames and Panels are supplied seperately.







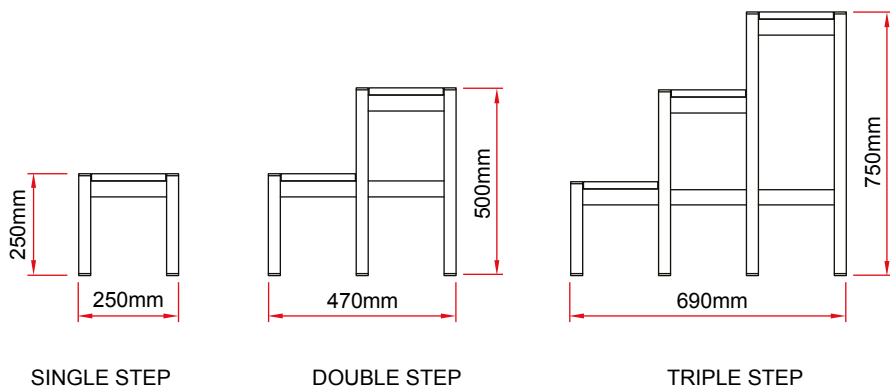
### Easydeck Square Frames & Reversible Deck Panels

	Description	Size	kg	SWL
T76000	Square Frame	1000 x 1000 x 250mm	7.57 kg	500 kg
T76100	Square Frame	1000 x 1000 x 500mm	8.74 kg	500 kg
T76200	Square Frame	1000 x 1000 x 750mm	9.91 kg	500 kg
T76600	Reversible Deck Panel	1000 x 1000 x 18mm	7.57 kg	



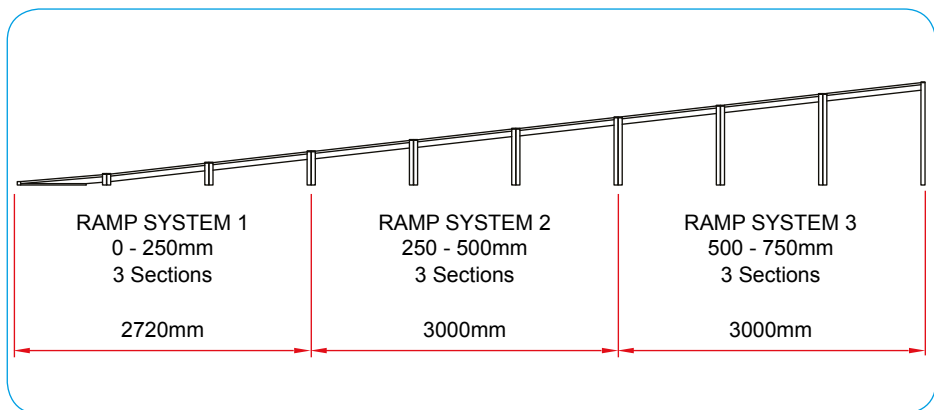
### Easydeck Triangular Frames & Reversible Deck Panels

	Description	Size	kg	SWL
T76300	Triangular Frame	1000 x 1000 x 250mm	5.28 kg	250 kg
T76400	Triangular Frame	1000 x 1000 x 500mm	6.15 kg	250 kg
T76500	Triangular Frame	1000 x 1000 x 750mm	7.02 kg	250 kg
T76700	Reversible Deck Panel	1000 x 1000 x 18mm	5.28 kg	



Easydeck Step Modules

	Description	Size	kg
T76505	Single Step	1000 x 250 x 250mm	4.28 kg
T76506	Double Step	1000 x 470 x 500mm	8.70 kg
T76507	Triple Step	1000 x 690 x 750mm	11.0 kg
T76800	Step Unit Deck Panel	1000 x 250mm	4.28 kg



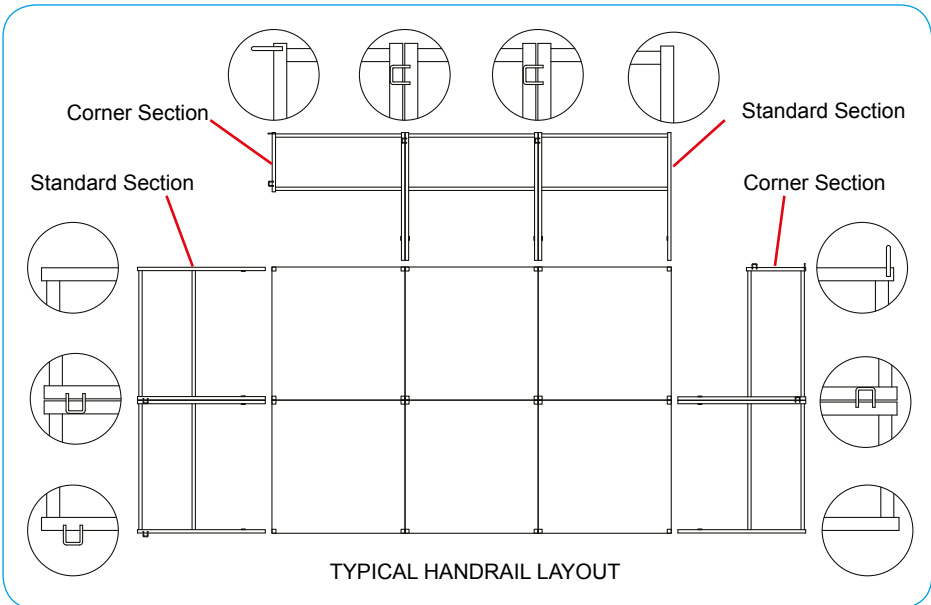
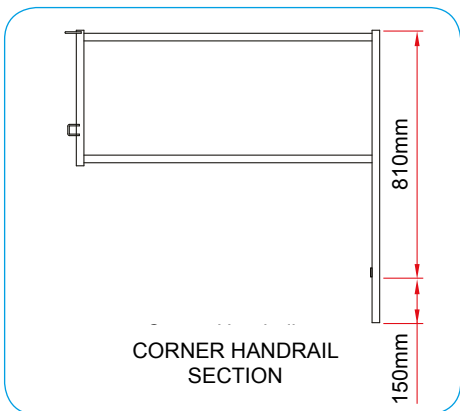
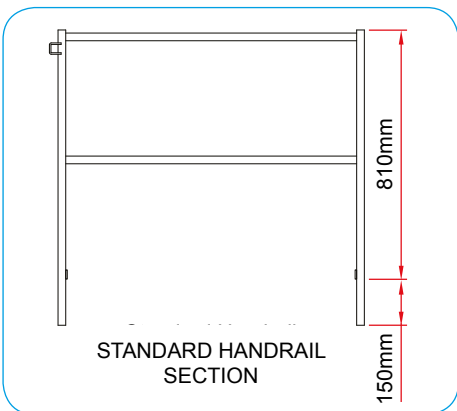
### Easydeck Ramp System

	Description	Size	kg	SWL
T77900	Ramp System 1	0 - 250mm	56.0 kg	500 kg/m <sup>2</sup>
T77800	Ramp System 2	250 - 500mm	62.0 kg	500 kg/m <sup>2</sup>
T77910	Ramp System 3	500 - 750mm	66.0 kg	500 kg/m <sup>2</sup>
All Ramp Systems are supplied with Deck Panels				
T77100	Rising Handrail Section		4.02 kg	



### Easydeck Handrail

T76900	Standard Section	4.02 kg
T77000	Corner Section	3.26 kg
T77100	Ramp Section	4.02 kg



## Easydeck Chair Stops

T77300	Chair Stop	1.68 kg
--------	------------	---------

Chair Stops create a raised edging to eliminate the chances of a chair leg slipping off the stage.



## Easydeck "Bolton Twill" Valance

T77950	250mm drop x 6m
T77960	500mm drop x 6m
T77970	750mm drop x 6m

## Easydeck Storage Dolly

T77400	Storage Dolly	9.51 kg
--------	---------------	---------

Store up to twenty five frames and deck panels. Comes with heavy duty castors for ease of movement. Requires no more than 1.2 square metres of floor space.



### Easydeck Ordering Information:

1. Generally for each unit ordered, 2 no T77500, 1 no T77600 and 1 no T77650 are required.
2. For each Handrail Corner, 1 Standard Section and 1 Corner Section are required.
3. Please note: Deck Panels are sold separate from the Easydeck frames.
4. Riser brackets are supplied in sets of four.

### 1. Easydeck Module Joint Clip

T77500 0.10 kg

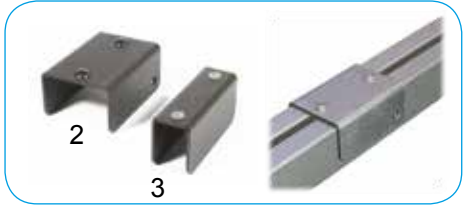
The Easydeck Joint Clips are used to secure runways and step units.



### 2. Easydeck Module Joint Channel

T77600 0.14 kg

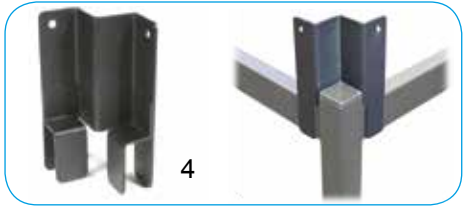
Joint Channels are used to create a secure joint between two adjacent frames.



### 3. Easydeck Support Channel

T77650 0.10 kg

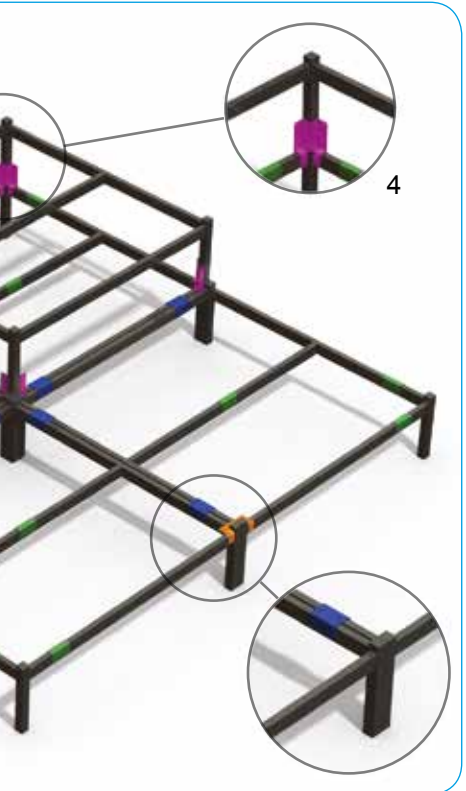
Support Channels are used to match the height of the Joint Channels and Joint Clips, ensuring a level platform for the deck panels is achieved.



### 4. Easydeck Module Riser Brackets

T77200 Set of 4 0.25 kg

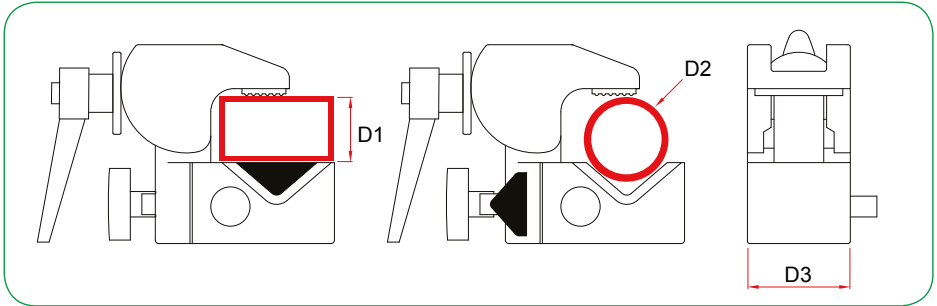
Riser Brackets are designed to be used when two units are tiered on top of each other. The Riser Brackets are fitted to each corner ensuring the tiered unit is extremely safe and secure.



# Supaclamps

Supaclamps are pressure die cast aluminium clamps capable of clamping any surface from 13mm flat to 50mm diameter poles. Rubber grip pads prevent damage to surfaces. They are supplied with a wedge to grip flat surfaces.

There is a full range of snap-in accessories to complement these versatile clamps.



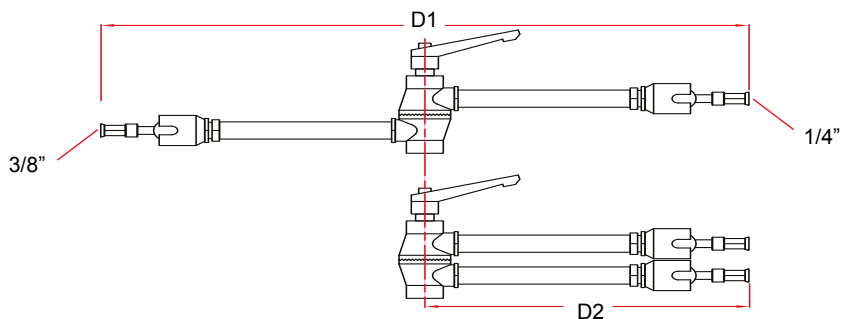
Supaclamps					
Part No	SWL	D1	D2	D3	kg
G1160 - Silver	20 kg	13 - 30mm	Ø15 - 50mm	45mm	0.45 kg
G116001 - Black	20 kg	13 - 30mm	Ø15 - 50mm	45mm	0.45 kg

# Pivot Arm

The Pivot Arm is a versatile multi-positioning arm which has been designed to complement the Supaclamp in the Film, Video and Photographic industry.

Main features:

- 360° rotating elbow with toothed joint
- 360° rotating ball joint ends with 16mm studs
- Studs tapped for 1/4" and 3/8"
- One lever locks all pivots
- 4 kg SWL



## Pivot Arm

Part No	D1	D2	kg
G1150	534mm	267mm	1.15 kg





M10 x 25 Rotating Stud  
G1177

Snap-In 1/4" Camera Spigot  
G1178

M10 Low Profile Socket  
G1179



Snap-In 16mm x 3/8" Spigot  
G1180

Snap-In 16mm x 1/4" Spigot  
G1181

Snap-In 3/8" x 1/4" Spigot  
G1182



Snap-In Pin 10mm  
G1167

Snap-In Pin 12mm  
G1166

Snap-In Pin 16mm  
G1165



Snap-In Stud M12 x 30  
G1168

Snap-In Stud M10 x 25  
G1169

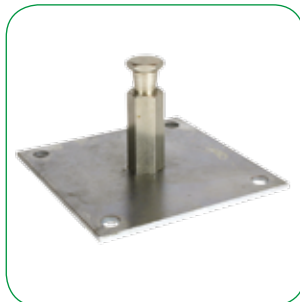
Swivel / Joining Stud  
G1170



Snap-In Socket M12 x 35  
G1171

Snap-In Socket M10 x 30  
G1172

Snap-In Extension 150mm  
G1173



Snap-In Offset Arm  
G1174

Snap-In Swivel "C" Hook  
G1175

Mounting Plate 100mm  
G1176

# Grip Equipment

Doughty Grip Equipment is a range of British designed and manufactured lighting support for studios and locations of all types. These products have been manufactured for a high degree of performance to give solutions to challenging lighting demands.





Griphead (large 115mm)

G1200 - Polished	2.40 kg
G120001 - Black	2.40 kg

The 115mm large Griphead features an offset 29mm receiver to accommodate luminaires. The clamp plates are designed to accept 25, 20, 16 & 12mm diameter poles/arms. The conical clamping system enables items up to 50mm square or of irregular shape to be clamped securely.



Griphead 65mm

G1210 - Silver	0.70 kg
G121001 - Black	0.70 kg

The 65mm standard Griphead features an offset 16mm receiver. The clamp plates are designed to accept 16, 12, 10 & 6mm diameter pins/arms for flags, scrims etc. The conical clamping system enables items of irregular shape to be clamped securely.



Double Griphead 65mm

G1220	1.30 kg
-------	---------

Two independently operable gripheads mounted on a 10mm x 170mm stainless steel spike.



Pin with Collar 150mm x Ø16mm

G1260	0.23 kg
-------	---------

This Pin enables lightweight luminaires fitted with a 17mm receiver to be mounted to any griphead. The collar acts as a safety stop when inverted.



**Snap-In Griphead 65mm**

G1221	1.3 kg
-------	--------

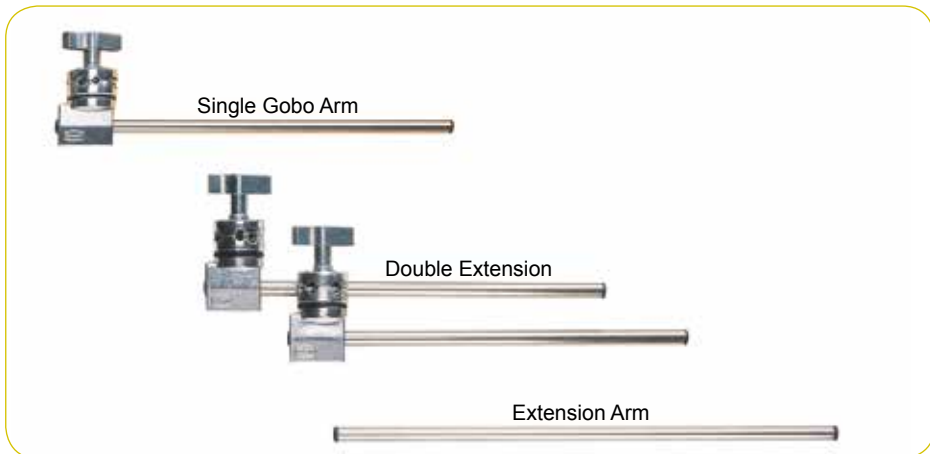
Factory fitted with a snap-in pin for use in conjunction with the G1160 Supaclamp or similar accessories.



**Supaclamp**

G1160 - Polished	0.45 kg
G116001 - Black	0.45 kg

Designed to grip any surface from 5mm flats to 50mm diameter poles, the Supaclamp features a snap-in receiver.



**Gobo Arms**

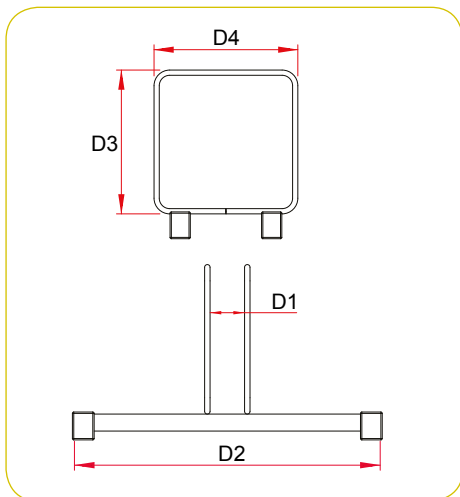
G1230	500mm x 16mm Single Gobo Arm	0.84 kg
G1235	1000mm x 16mm Single Gobo Arm	1.06 kg
G1240	500mm x 16mm Double Extension	1.68 kg
G1245	1000mm x 16mm Double Extension	2.14 kg
G1250	500mm x 16mm Stainless Steel Extension Arm	0.23 kg
G1255	1000mm x 16mm Stainless Steel Extension Arm	0.46 kg



### Polyholders

G1140 Polyholder 25mm	0.62 kg
G1142 Polyholder 40mm	0.80 kg
G1141 Polyholder 50mm	0.83 kg

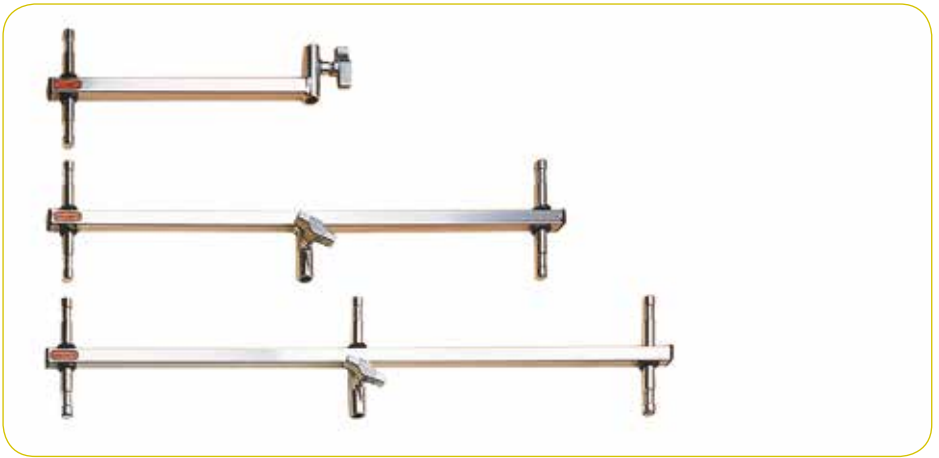
Polyholders comprise two 225 x 150mm aluminium plates powder painted black one side and white on the reverse. Fitted with a 10mm pin for use with Gripheads.



### Floor Standing Poly Holder

	D1	D2	D3	D4	kg
G1147	50mm	450mm	220mm	220mm	2.0 kg

A floor standing polyholder manufactured in steel and powder painted.



### Baby Arms and Headers

	Length	Spigots	Receiver	kg
G1330 Baby Offset Arm	350mm	2 x 16mm	17mm	0.74 kg
G1335 Baby Doubler Header	700mm	4 x 16mm	17mm	1.29 kg
G1340 Baby Triple Header	850mm	5 x 16mm	17mm	1.55 kg



### Junior Arms and Headers

	Length	Receivers	Spigot	kg
G1300 Junior Offset Arm	450mm	1 x 29mm	28mm	2.53 kg
G1310 Junior Doubler Header	900mm	2 x 29mm	28mm	4.24 kg
G1315 Junior Triple Header	1000mm	3 x 29mm	28mm	5.00 kg





Baby Adjustable Side Arm

G1345

0.76 kg

The Baby Adjustable Side Arm is mounted to a vertical 32mm (1.25") tube or stand riser with a G1350 Vee Clamp.

The side arm is 500mm long and the spigots are 16mm.

Vee Clamp sold separately.



Junior Adjustable Side Arm

G1320

1.42 kg

The Junior Adjustable Side Arm is mounted to a vertical 32mm (1.25") tube or stand riser with a G1350 Vee Clamp.

The side arm is 500mm long and the receiver is 29mm.

Vee Clamp sold separately.

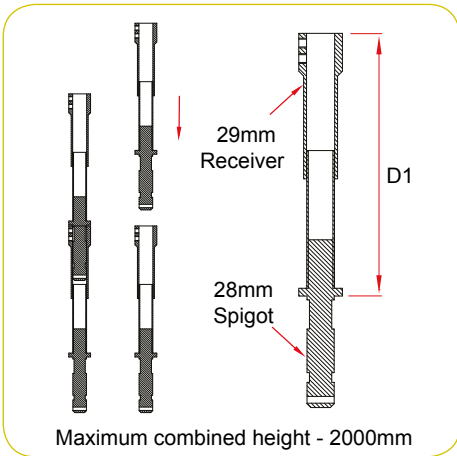


Junior Adjustable Offset Arm

G1305

2.40 kg

The Junior Adjustable Offset Arm is fitted with a 28mm Spigot and 29mm receiver and is adjustable from 430mm to 700mm centres.



Low Lifts			
	D1	Spec	kg
T44450	135mm	Euro spec	0.98 kg
T44460	270mm	Euro spec	1.36 kg
T44470	405mm	Euro spec	1.49 kg
T44475	675mm	Euro spec	1.74 kg
T44500	1000mm	Euro spec	2.01 kg
T44480	135mm	DIN Spec	0.98 kg
T44482	270mm	DIN Spec	1.36 kg
T44484	405mm	DIN Spec	1.49 kg
T44486	675mm	DIN Spec	1.74 kg
T44505	1000mm	DIN Spec	2.01 kg

Extension Poles (28mm spigot/receiver)		
	Length	kg
T44640	1000mm - 1650mm	3.70 kg
T44645	1080mm - 2500mm	5.20 kg
T44650 - Black	1080mm - 2500mm	5.20 kg

Extension poles and low lifts can be used in floor plates and bases or as a stand extension.

Fitted with a Multihead receiver which comprises a 29mm receiver combined with a pop up 16mm spigot.

**Not to be used as Drop Arms.  
For Lifting Only.**



### Double Risers

	Size	Finish	kg
G2020	770 - 1500mm	Chrome	3.37 kg
G2021	1020 - 2260mm	Chrome	4.50 kg
G2022	1270 - 3000mm	Chrome	5.40 kg
G2023	1780 - 4520mm	Chrome	6.20 kg
G202001	770 - 1500mm	Black	3.37 kg
G202101	1020 - 2260mm	Black	4.50 kg
G202201	1270 - 3000mm	Black	5.40 kg
G202301	1780 - 4520mm	Black	6.20 kg

Fitted with 16 & 29mm spigots.



SWL: 100 kg

### Doughty Universal Hanger

G2024

5.65 kg

An extending hanger to suspend equipment from barrel truss grids. Fitted with a 48 - 51mm coupler and 29mm receiver, the Universal Hanger extends from 280mm - 2160mm.

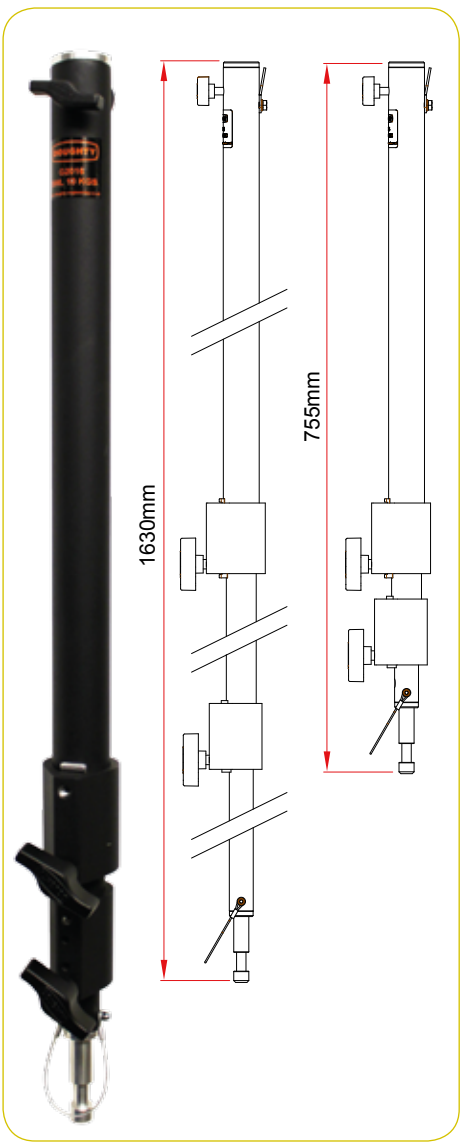


### Doughty Grip Helper

G2025

4.60 kg

An angled extending arm fitted with a 29mm receiver / spigot combination and a Large Griphead. The Grip Helper allows a scrim, silk or blackout to be mounted with a luminaire on the same stand. Length is adjustable from 845mm to 1280mm.



Lightweight Drop Arm

16mm Receiver - 16mm Spigot

G2016 SWL 10 Kg

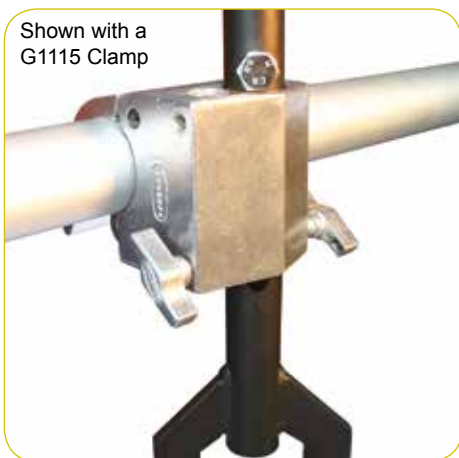
Super Lightweight Drop Arm

48mm - 16mm Spigot

T45725 SWL 10 Kg

A three section telescopic lightweight drop arm fitted with a 16mm Receiver and 16mm Spigot. Safety bond loops are fitted top and bottom.

Our Super lightweight coupler fitted with a 16mm drop arm. The drop arm features a safety bond slot.



Shown with a G1115 Clamp

### Single-Ended Adjustable Drop Arms

	Length	Spigots	Receiver	kg
T45610	250mm	Fits Barrel Socket Clamp (G1115)	29mm	1.66 kg
T45612	500mm	Fits Barrel Socket Clamp (G1115)	29mm	1.85 kg
T45614	750mm	Fits Barrel Socket Clamp (G1115)	29mm	2.04 kg
T45616	1000mm	Fits Barrel Socket Clamp (G1115)	29mm	2.23 kg
T45618	2000mm	Fits Barrel Socket Clamp (G1115)	29mm	4.46 kg

Adjustable drop using pre-drilled holes in 28mm dia tube and a securing pin.



### Double-Ended Drop Arms

Length	Spec	kg	Length	Spec	kg		
T45400	500mm	Euro spec	2.17 kg	T45401	500mm	DIN Spec	2.17 kg
T45500	1000mm	Euro spec	2.65 kg	T45501	1000mm	DIN Spec	2.65 kg
T45600	2000mm	Euro spec	3.79 kg	T45601	2000mm	DIN Spec	3.79 kg

Fixed length drop with 28mm spigot and 29mm receiver. Enables luminaire to rotate.



**Baby Pin Wall Plate**

G1405                      0.46 kg

A 100mm x 100mm plate with 16mm spigot and Ø8mm corner fixing holes.



**Baby Receiver Wall Plate**

G1128                      0.37 kg

A 100mm x 100mm plate with 16mm receiver and Ø8mm corner fixing holes.



**Junior Wall Plate**

G1129                      0.85 kg

A 120mm x 120mm plate with 29mm receiver and Ø8mm corner fixing holes.



**Baby Grid Clamp**

G1197                      0.78 kg

A standard Doughty T57000 Clamp fitted with a Ø16mm spigot 70mm long.



**Baby Pin Hook Clamp**

G1415                      0.40 kg

A standard Doughty T20100 Hook Clamp fitted with a Ø16mm spigot.



### Flat Clamp

G1001

1.28 kg

A medium duty scenery clamp which clamps up to 100mm and includes a fixed 29mm receiver and lynch pin.



### Large Gaffer Clamp

G1000

1.20 kg

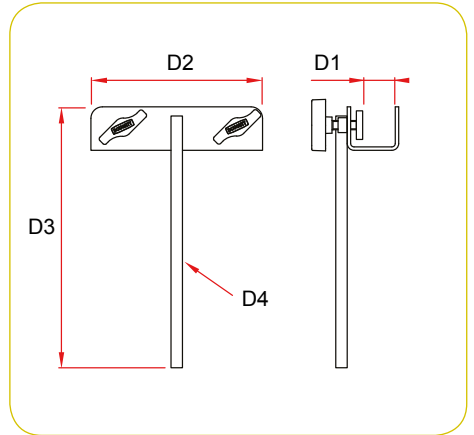
A quick release clamp which grips flat surfaces and barrel and provides two 16mm receivers.



### G Clamps

				kg
G1104	100mm Python Clamp	clamps 0 - 100mm		1.28 kg
G1106	150mm Python Clamp	clamps 0 - 150mm		2.33 kg
G1108	200mm Python Clamp	clamps 0 - 200mm		2.87 kg
G1110	250mm Python Clamp	clamps 0 - 250mm		3.63 kg

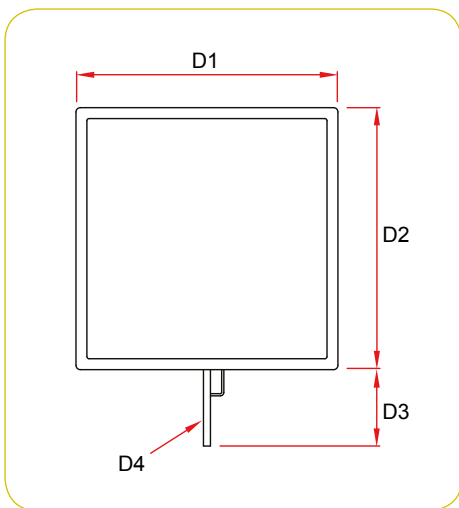
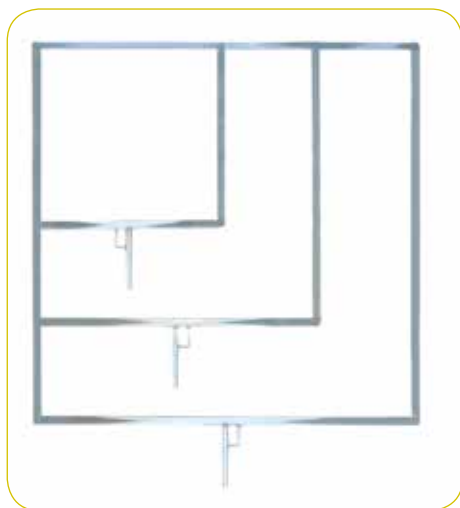
A range of G clamps fitted with dual position 29mm receiver. Modified jaws have been added to clamp flat surfaces or round bars.



### Frame Clamps

	D1	D2	D3	D4	kg
G1113	50mm	150mm	230mm	Ø10mm	1.00 kg
G1114	25mm	150mm	230mm	Ø10mm	0.74 kg





Flat Aluminium Flag Frames (25 x 6 flat)

	Size	D1	D2	D3	D4	kg
G3015	24" x 24"	610mm	610mm	190mm	Ø16mm	1.00 kg
G3016	36" x 36"	915mm	915mm	190mm	Ø16mm	1.29 kg
G3018	48" x 48"	1220mm	1220mm	190mm	Ø16mm	1.69 kg



Sand Bags

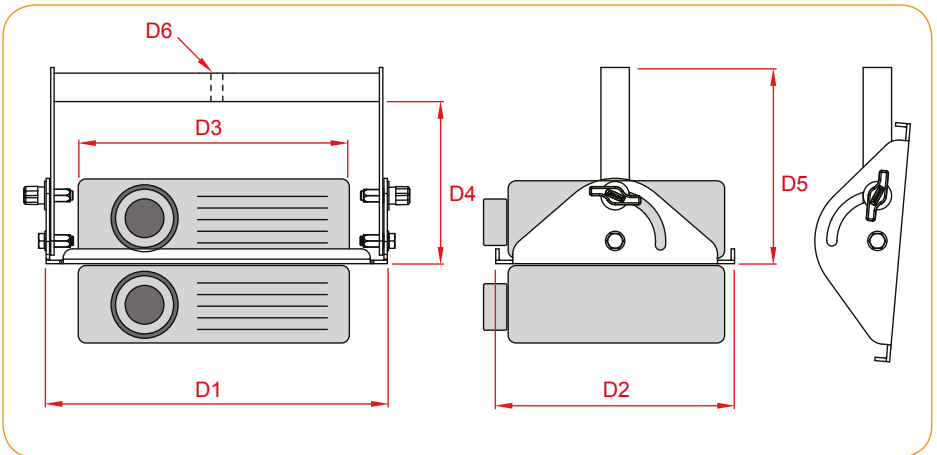
G3301	Capacity - 10 kg Sand - 18 kg Shot
-------	------------------------------------

Water resistant.

# Projector Cradles

Available in two sizes these projector cradles are manufactured with a steel yoke and aluminium tray. The tray is supplied blank and can be drilled to suit the projector of your choice.

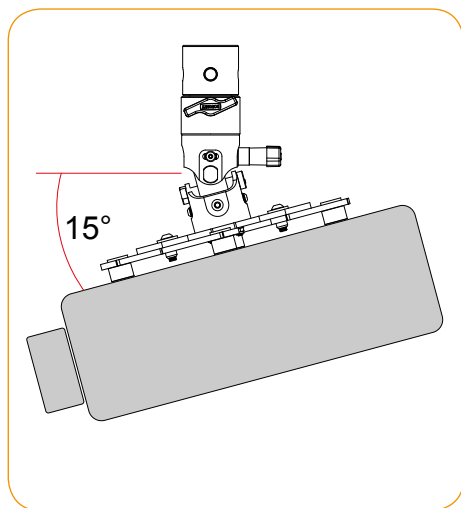
Doughty can supply the tray pre-drilled as an option providing the projector details are readily available.



Projector Cradles

	D1	D2	D3	D4	D5	D6	SWL
T75050	300mm	210mm	<240mm	<120mm	170mm	Ø12.5mm	10 kg
T75055	420mm	325mm	<360mm	180mm	230mm	Ø12.5mm	10 kg

Note: Trays are supplied blank and require drilling to suit the projector of choice.

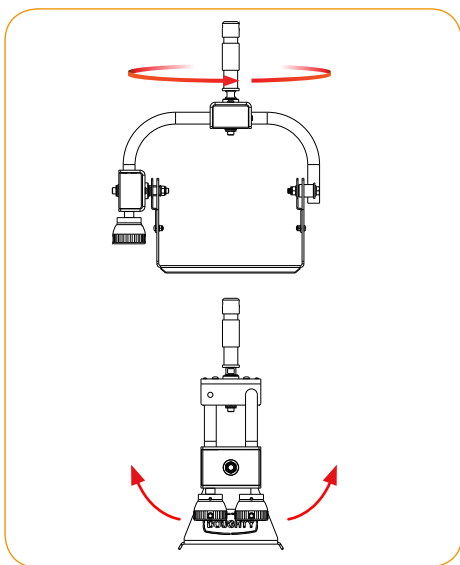


### Projector Mount

T75080

SWL 25 kg

An articulated projector mount featuring +/- 15 degrees of tilt in two directions and full 360° rotation. The mount is fitted with a tapered connector to suit our modular rigging system.



### Pole-Op Cradles

contact [sales@doughty-engineering.co.uk](mailto:sales@doughty-engineering.co.uk)

A Pole-Op cradle made to order. Can be made to suit specific Projectors or Cameras etc.

# TV Brackets

Doughty Engineering offer a range of three different sized TV brackets which have been designed to be suspended or mounted on a stand. Finished in crackle black powder paint these brackets feature an 12mm mounting hole in the top rail which can be used to fix a clamp, TV spigot or Studio Rail carriage.

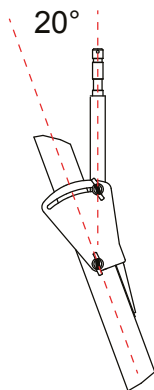
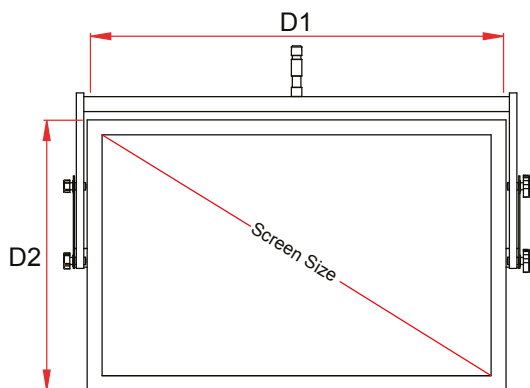
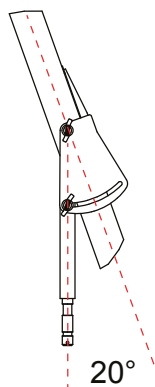
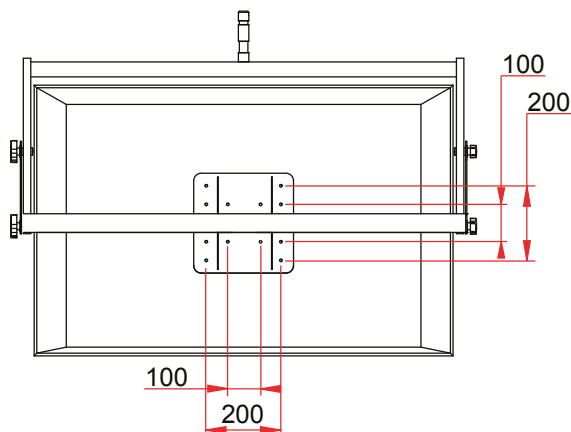


TV Brackets

	Screen Size	D1 Max	D2 Max	Vesa Mount
T75000	32"	750mm	500mm	100 x 100
T75010	37"	910mm	570mm	200 x 100 & 200 x 200
T75020	42"	1010mm	660mm	200 x 100 & 200 x 200

TV Brackets are not supplied with any fixings, clamps or Spigots.

Special sizes are available on request.



# Transporter Trolleys

The Doughty Transporter range is designed as an adaptable transportation system, which may be configured to suit multiple applications.

The Transporter range utilises 48mm Barrel (Page 144) and Pipeclamps (Page 158), both of which are plentiful in the entertainment industry, to create a robust but cost effective structure.

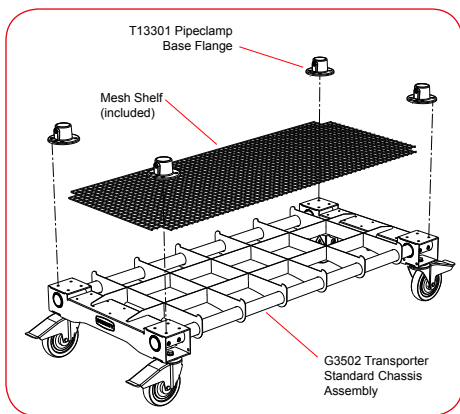
The Chassis Sub-frames employ standard T19300 Allen Screws to clamp lengths of barrel to form a chassis, upon which Pipeclamps and Barrel can be used to construct the trolley superstructure. This minimises the number of different tools required for assembly or alteration.

A range of accessories including various shelf options are available, and bespoke adaptor plates/modifications can be designed and manufactured upon request.





G3501 Sub-frames with Castors



G3502 Sub-frames with Castors



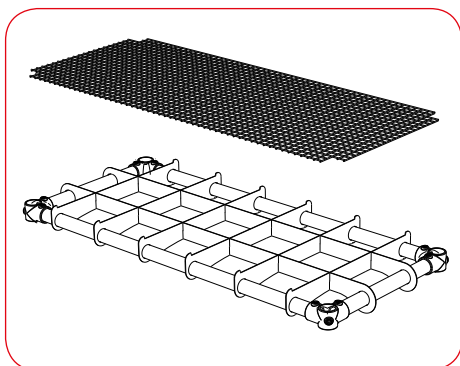
G3505 Tub



G3506 Side Extension



Typical Example



G3503 Shelf Assembly (1430x630)

G3504 Mesh Shelf

# Stand Accessories

An extensive range of accessories to complement our large selection of lighting stands.



## Castor Kits

T50500 - 75mm Kit

T50502 - 75mm Kit

G2201 - 4" (100mm) Kit

G2200 - 4" (100mm) Kit

To suit the following stands:

Neutron

Nova

Comet

Cine Combo Stands

To suit the following stands:

Followspot

Nebula 20

Nebula 33

Nebula 42

Studio 2000

Studio 3500

Studio 5000

Combo Stands

## Parcan Stand Top

T54175

The Parcan Stand Top enables a parcan or similar luminaire fitted with a standard hook clamp to be used in a 29mm receiver.

This item should not be used as a suspension device.





Silver



Black



**3 Function Multihead Top**

G2060

SWL	N/A
D1	Ø32mm (Ø1.25")
D2	Ø29mm Receiver
D3	Ø16mm Spigot
D4	155mm
kg	0.66 kg

**3 Function Multihead Top**

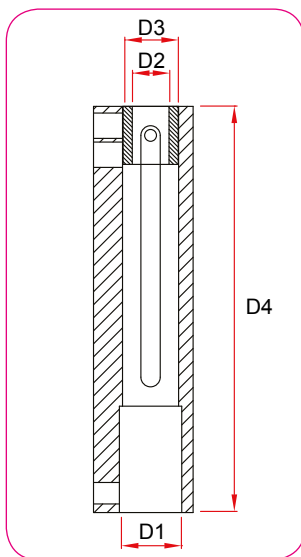
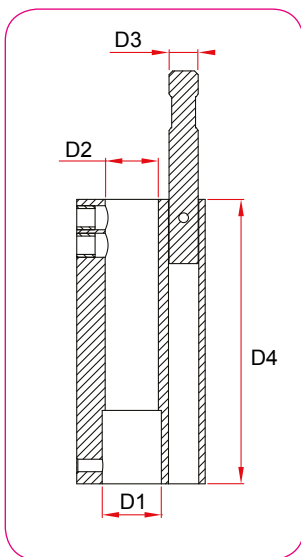
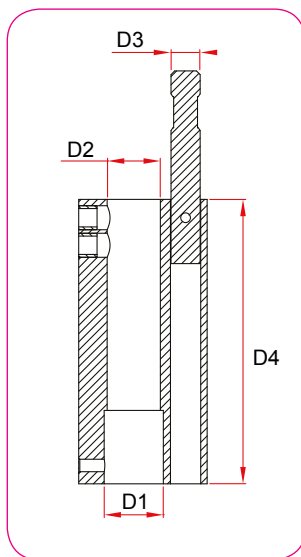
G206001

SWL	N/A
D1	Ø32mm (Ø1.25")
D2	Ø29mm Receiver
D3	Ø16mm Spigot
D4	155mm
kg	0.66 kg

**Combi Accessory Top**

T52800

SWL	N/A
D1	Ø32mm (Ø1.25")
D2	Ø19mm Receiver
D3	Ø29mm Receiver
D4	210mm
kg	0.68 kg





**Platten Plate Followspot Top**

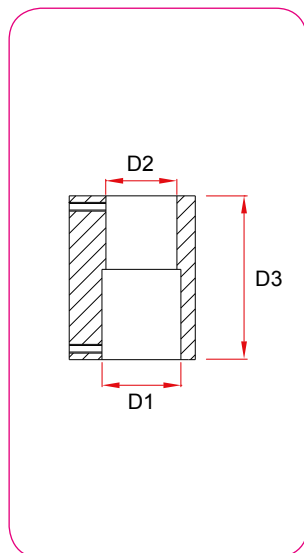
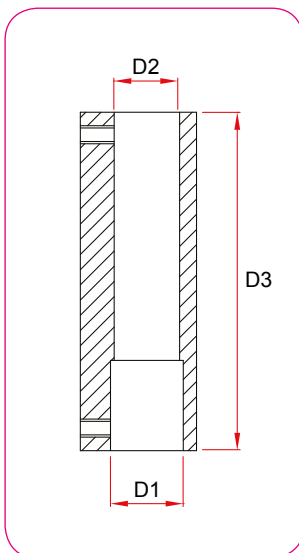
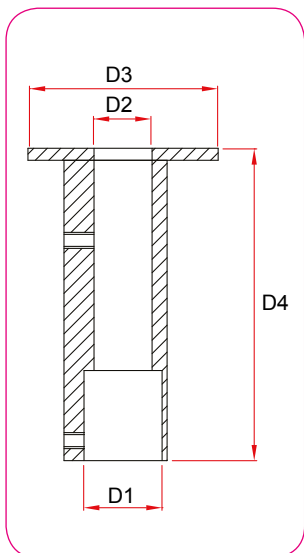
T52900	
SWL	N/A
D1	Ø32mm (Ø1.25")
D2	Ø29mm Receiver
D3	Ø95mm
D4	156mm
kg	0.49 kg

**Mounting for TV Spigot**

T50600	
SWL	N/A
D1	Ø32mm (Ø1.25")
D2	Ø29mm Receiver
D3	150mm
kg	0.66 kg

**Mounting for TV Spigot**

T50700	
SWL	N/A
D1	Ø38mm (Ø1.50")
D2	Ø29mm Receiver
D3	60mm
kg	0.66 kg





**Barrel Receiver**

	Size (D1)	Fixing (D2)	kg
T50820	Ø48mm	M10	0.45 kg
T50825	Ø48mm	M12	0.45 kg
T50830	Ø51mm (Ø2")	M10	0.45 kg
T50835	Ø51mm (Ø2")	M12	0.45 kg



**Mounting for 19mm Spigot**

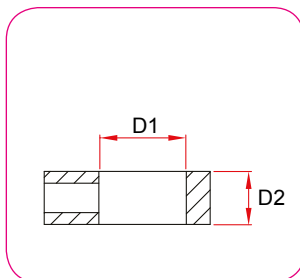
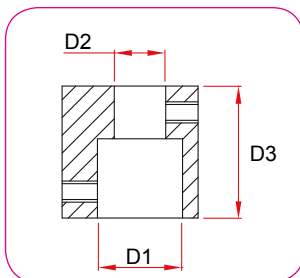
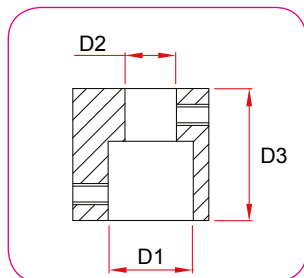
T50900	
SWL	N/A
D1	Ø32mm (Ø1.25")
D2	Ø19mm Receiver
D3	50mm
kg	0.24 kg

**Mounting for 19mm Spigot**

T50901	
SWL	N/A
D1	Ø38.1mm (Ø1.50")
D2	Ø19mm Receiver
D3	50mm
Kg	0.20 kg

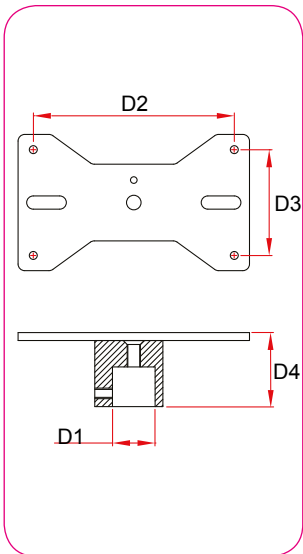
**Safety Collar**

T53000	
D1	Ø32mm (Ø1.25")
D2	20mm
T53100	
D1	Ø38mm (Ø1.50")
D2	20mm





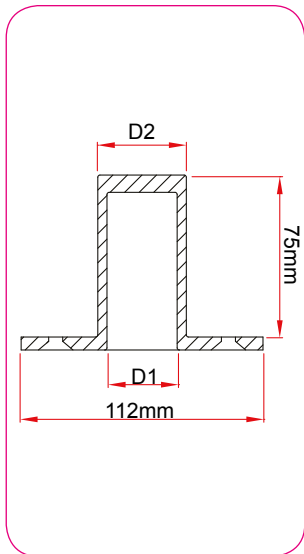
Ramsa / Bose Adaptor	
T52600	
SWL	N/A
D1	Ø32mm (Ø1.25")
D2	152mm
D3	80mm
D4	56mm
kg	0.49 kg



Speaker Internal Housing	
T52200	
D1	Ø32mm (Ø1.25")
D2	Ø41mm

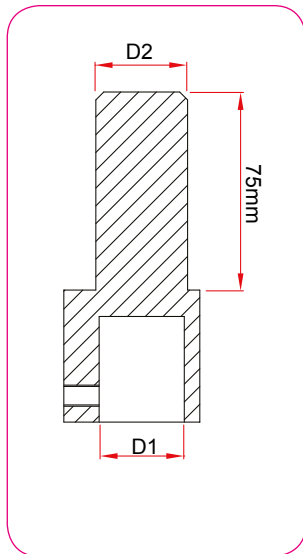
T52201	
D1	Ø35mm
D2	Ø41mm

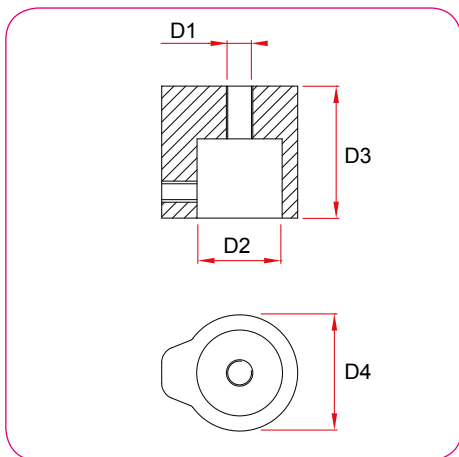


Speaker Adaptor 35mm	
T51000	
D1	Ø32mm (Ø1.25")
D2	Ø35mm

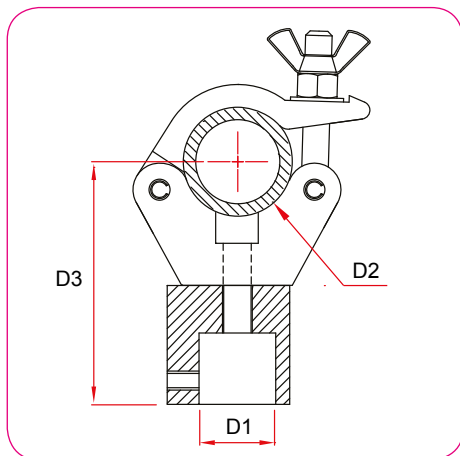
T51100	
D1	Ø38mm (Ø1.50")
D2	Ø35mm





### Bolt Fixing for Tee Bar

	D1	D2	D3	D4	
T50810	M10	Ø32mm (Ø1.25")	50mm	44mm	
T50811	M10	Ø38mm (Ø1.50")	50mm	44mm	(Club 14/22)
T50812	M12	Ø32mm (Ø1.25")	50mm	44mm	
T50813	M12	Ø38mm (Ø1.50")	50mm	44mm	(Club 14/22)
T50814	M10	Ø35mm	50mm	44mm	(35 mm)



### 2" Tee Bar Stand Top

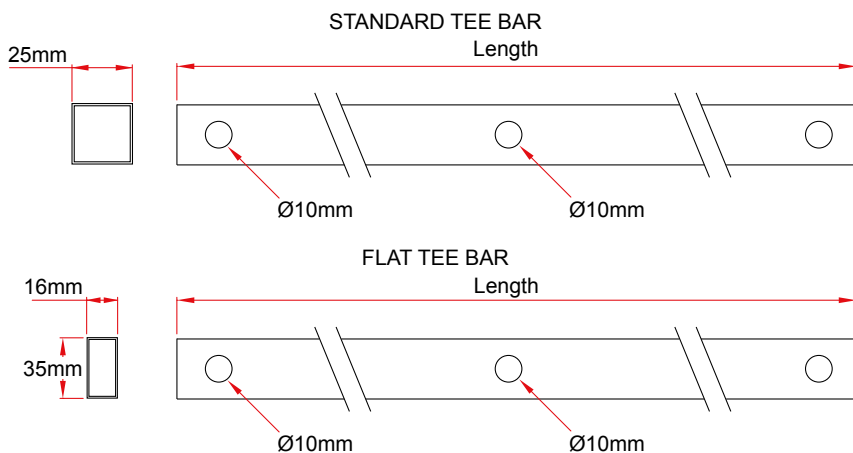
	D1	D2	D3	kg
T57220	Ø32mm (Ø1.25")	Ø48 - 51mm	105mm	0.88 kg

The Stand Adaptor enables a Ø48 - 51mm tube to be mounted to a stand with a Ø32mm (1.25") riser. Ideal for heavy duty tee bars where lamps are used with their own mounting clamps.



### Tee Bars (supplied with lamp fixings)

		Finish	Lamp Holes	Length	kg
T43000	2 Lantern	Zinc Plated	2	750 mm	0.81 kg
T43001	2 Lantern	Black Powder Paint	2	750 mm	0.80 kg
T43003	2 Lantern (Flat)	Zinc Plated	2	750 mm	0.79 kg
T43100	4 Lantern	Zinc Plated	4	1250 mm	1.38 kg
T43101	4 Lantern	Black Powder Paint	4	1250 mm	1.41 kg
T43103	4 Lantern (Flat)	Zinc Plated	4	1250 mm	1.36 kg
T43200	6 Lantern	Zinc Plated	6	1600 mm	1.79 kg
T43201	6 Lantern	Black Powder Paint	6	1600 mm	1.82 kg
T43203	6 Lantern (Flat)	Zinc Plated	6	1600 mm	1.73 kg



# Stands

**Club Stands** - High quality tripod stands finished in zinc plate.

**Studio Stands** - Professional range of tripod stands with a chrome finish.

**Combo Stands** - TV specification stand complete with multihead top and a lazy leg.

**Roller Stands** - TV specification stand complete with multihead top and castors.

**Wind Up Stands** - Medium duty winch operated lighting stands.

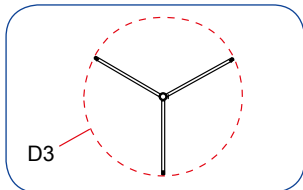
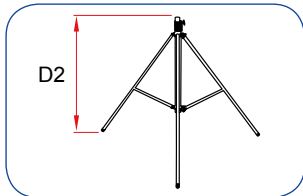
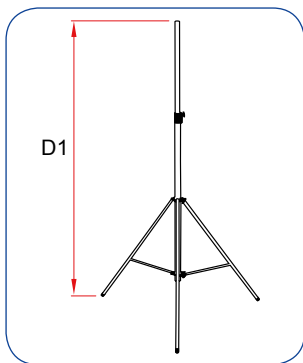
**Winch Stands** - Heavy duty winch operated stands for lifting truss etc.

**Followspot Stands** - Designed to give a high degree of stability with followspots.

**"C" Stands** - Range of turtle based stands complete with 16mm spigot.


**Music Stands** - Professional range of music stands designed for orchestras, music schools and rental companies.







- Compact steel and aluminium construction
- Die cast aluminium lock off knobs
- Finished in high quality zinc plate or satin black powder paint
- Non slip rubber feet
- Internal safety stops



T49200	Club 25
T49465	Nightclub 25
Top Tube	Ø32mm (Ø1.25")
SWL	25 kg
D1	2.50m
D2	1.24m
D3	1.34m
	1.23m
kg	5.80 kg

T49300	Club 35
T49470	Nightclub 35
Top Tube	Ø32mm (Ø1.25")
SWL	25 kg
D1	3.50m
D2	1.64m
D3	1.60m
	1.63m
kg	7.20 kg

T49400	Club 475
T49475	Nightclub 475
Top Tube	Ø32mm (Ø1.25")
SWL	25 kg
D1	4.75m
D2	2.88m
D3	1.6m
	2.88m
kg	8.80 kg





Ø32mm (Ø1.25")  
Top Tube

Studio = Chrome  
Shadow = Black

D1

D2

D3

- Chrome steel and aluminium construction
- Internal spring dampers
- Internal safety stops
- Double leg braces
- Die cast aluminium 'lock off' knobs
- Locking castors (optional)

**T51800 Studio Comet**

**T51801 Shadow Comet**

Top Tube Ø32mm (Ø1.25")

SWL 30 kg

D1 2.14m

D2 1.34m

D3 1.15m

≡ 1.16m

kg 7.10 kg

**T51600 Studio Neutron**

**T51601 Shadow Neutron**

Top Tube Ø32mm (Ø1.25")

SWL 30 kg

D1 2.50m

D2 1.50m

D3 1.34m

≡ 1.24m

kg 7.74 kg

**T51200 Studio Nova**

**T51201 Shadow Nova**

Top Tube Ø32mm (Ø1.25")

SWL 30 kg

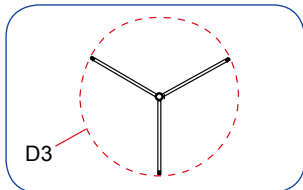
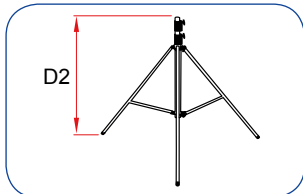
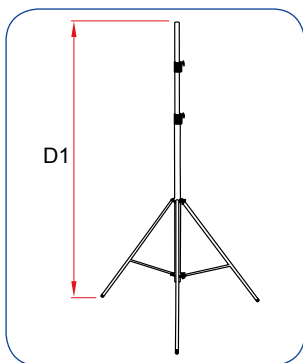
D1 3.50m

D2 1.63m

D3 1.62m

≡ 1.63m


kg 8.88 kg





- Chrome steel and aluminium construction
- Internal spring dampers
- Internal safety stops
- Double leg braces
- Die cast aluminium 'lock off' knobs
- Locking castors (optional)



Studio = Chrome  
Shadow = Black

T51900	Studio 2000
T51901	Shadow 2000
Top Tube	Ø32mm (Ø1.25")
SWL	40 kg
D1	2.00m
D2	1.00m
D3	1.06m
	1.11m
kg	7.00 kg

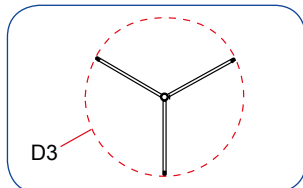
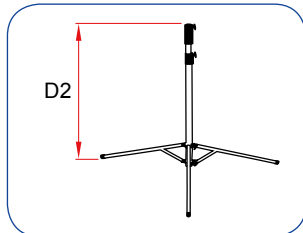
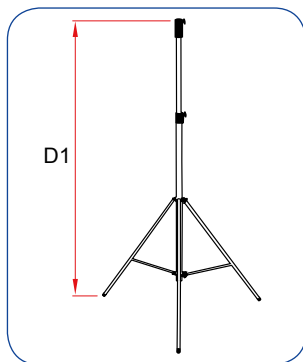
T52000	Studio 3500
T52001	Shadow 3500
Top Tube	Ø32mm (Ø1.25")
SWL	40 kg
D1	3.50m
D2	1.32m
D3	1.47m
	1.31m
kg	10.70 kg

T52100	Studio 5000
T52101	Shadow 5000
Top Tube	Ø32mm (Ø1.25")
SWL	40 kg
D1	5.00m
D2	1.72m
D3	1.75m
	1.72m
kg	13.61 kg




G2060 Three Function Multihead Top fitted to all Combo stands

Shadow = Black




**G2030 Mini Combo**

**G203001 Shadow**

SWL	30 kg
D1	1.12m
D2	0.72m
D3	0.72m
	0.72m
kg	4.80 kg


**G2031 Pee Wee**

**G203101 Shadow**

SWL	30 kg
D1	1.75m
D2	0.78m
D3	0.72m
	0.78m
kg	5.70 kg


**G2035 Cine Combo**

**G203501 Shadow**

SWL	20 kg
D1	2.16m
D2	1.17m
D3	1.15m
	1.17m
kg	7.80 kg


**G2036 Cine Hi-Combo**

**G203601 Shadow**

SWL	30 kg
D1	3.16m
D2	1.23m
D3	1.15m
	1.23m
kg	9.50 kg


**G2040 Lowboy Combo**

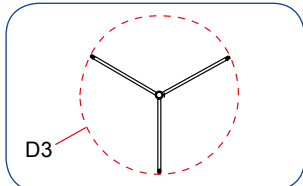
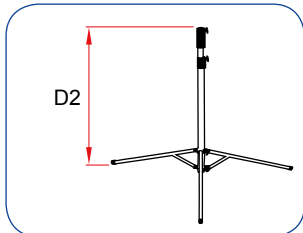
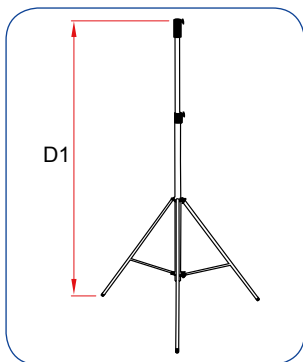
**G204001 Shadow**

SWL	40 kg
D1	2.40m
D2	1.10m
D3	0.85m
	1.08m
kg	9.30 kg

**G2045 Combo**

**G204501 Shadow**

SWL	40 kg
D1	3.62m
D2	1.43m
D3	1.47m
	1.43m
kg	12.30 kg




- Lazy leg for use on uneven surfaces
- Three function multihead
- Double leg braces
- Non slip rubber feet
- Internal spring dampers
- Chrome or Shadow range



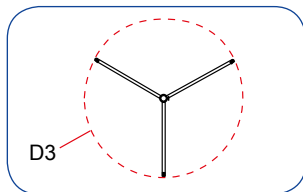
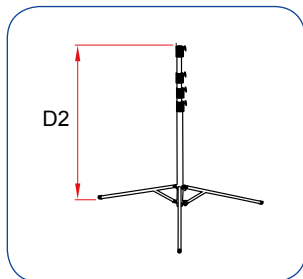
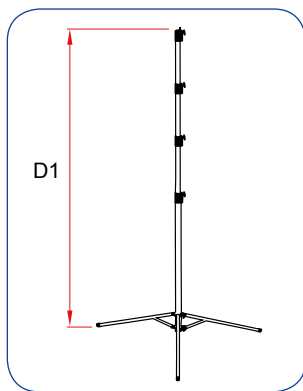
G2060 Three Function Multihead Top fitted to all Combo stands

Shadow = Black

G2046	Hi-Combo
G204601	Shadow
SWL	40 kg
D1	4.80m
D2	1.49m
D3	1.47m
	1.49m
kg	13.70 kg

G2050	Wide Base Hi-Combo
G205001	Shadow
SWL	40 kg
D1	5.12m
D2	1.83m
D3	1.75m
	1.83m
kg	15.30 kg

G2051	Wide Base Hi-Hi-Combo
G205101	Shadow
SWL	40 kg
D1	6.70m
D2	1.89m
D3	1.75m
	1.89m
kg	17.10 kg



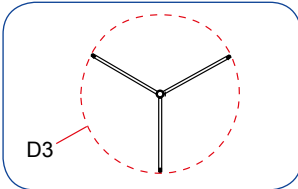
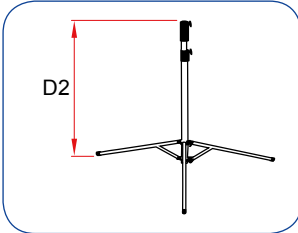
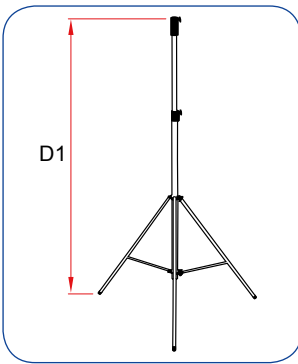
Baby Roller	
G2070	Chrome
G207001	Shadow
SWL	30 kg
D1	2.14m
D2	1.17m
D3	1.04m
	1.34m
kg	9.95 kg


Baby Hi Roller	
G2071	Chrome
G207101	Shadow
SWL	30 kg
D1	3.14m
D2	1.28m
D3	1.04m
	1.45m
kg	11.30 kg

Junior Roller	
G2075	Chrome
G207501	Shadow
SWL	40 kg
D1	3.50m
D2	1.47m
D3	1.55m
	1.59m
kg	15.80 kg

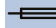
Junior Hi Roller	
G2076	Chrome
G207601	Shadow
SWL	40 kg
D1	4.61m
D2	1.53m
D3	1.55m
	1.65m
kg	17.10 kg


- Low profile ultra wide base
- Fitted with multihead
- Fully locking 100mm castors supplied as standard
- Heavy duty chrome and polished aluminium finish
- Die cast aluminium 'lock off' knobs
- Internal spring dampers
- No finger trap between castings
- Shadow range available



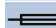
G2080	Overhead
G208001	Shadow
SWL	40 kg
D1	4.52m
D2	1.48m
D3	1.50m
	1.48m
kg	12.80 kg

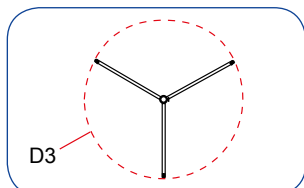
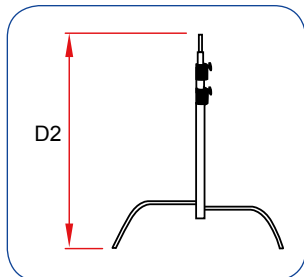
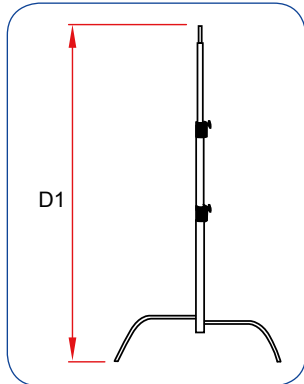
G2081	Hi-Overhead
G208101	Shadow
SWL	40 kg
D1	6.37m
D2	1.89m
D3	1.50m
	1.89m
kg	15.20 kg

G2085	Roller Overhead
G208501	Shadow
SWL	40 kg
D1	4.61m
D2	1.53m
D3	1.55m
	1.65m
kg	15.30 kg


G2086	Hi-Roller
G208601	Shadow
SWL	40 kg
D1	6.37m
D2	1.89m
D3	1.55m
	2.01m
kg	15.70 kg


G2090	Wide Base
G209001	Shadow
SWL	40 kg
D1	5.12m
D2	1.83m
D3	1.75m
	1.83m
kg	15.60 kg


G2091	Wide Base Hi
G209101	Shadow
SWL	40 kg
D1	6.70m
D2	1.89m
D3	1.75m
	1.89m
kg	17.50 kg




- Spring loaded folding base
- Sliding leg for uneven surfaces
- Integral 16mm spigot
- Internal spring dampers
- No finger trap between castings

20" C Stand	
G2005	Chrome
G200501	Shadow
SWL	10 kg
D1	1.70m
D2	0.88m
D3	0.95m
	0.88m
kg	6.20 kg

30" C Stand	
G2006	Chrome
G200601	Shadow
SWL	10 kg
D1	2.50m
D2	1.18m
D3	0.95m
	1.18m
kg	6.80 kg

40" C Stand	
G2007	Chrome
G200701	Shadow
SWL	10 kg
D1	3.26m
D2	1.39m
D3	0.95m
	1.39m
kg	8.00 kg

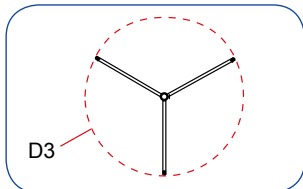
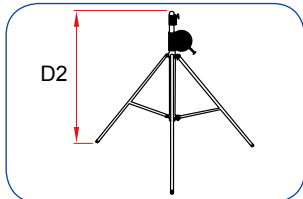
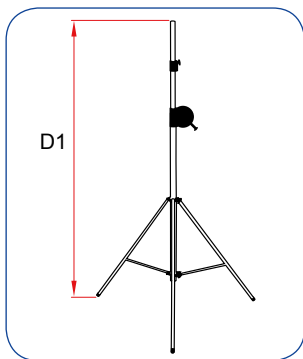
60" C Stand	
G2008	Chrome
G200801	Shadow
SWL	10 kg
D1	4.80m
D2	1.90m
D3	0.95m
	1.90m
kg	8.80 kg






29mm Receiver  
fitted to all  
Nebula stands




Shadow = Black



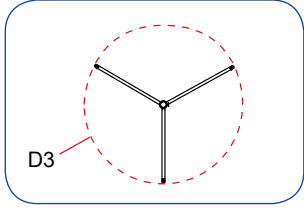
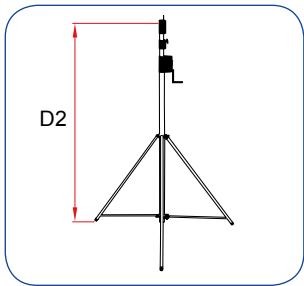
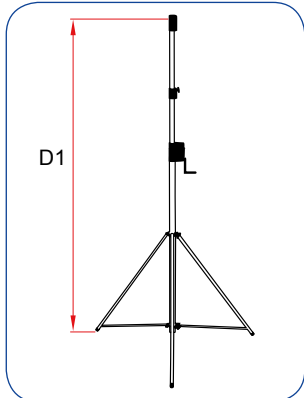
- Slimline self-braking winch
- Robust steel and aluminium construction
- Internal and external safety stops
- Non slip rubber feet
- Double leg braces
- Die cast 'lock off' knobs

Nebula 20		Nebula 33		Nebula 42	
T55110	Chrome	T55200	Chrome	T55500	Chrome
T55111	Shadow	T55201	Shadow	T55501	Shadow
SWL	60 kg	SWL	60 kg	SWL	60 kg
D1	2.24m	D1	3.30m	D1	4.20m
D2	1.31m	D2	1.70m	D2	2.10m
D3	1.06m	D3	1.47m	D3	1.75m
	1.31m		1.70m		2.31m
kg	11.00 kg	kg	13.00 kg	kg	17.00 kg



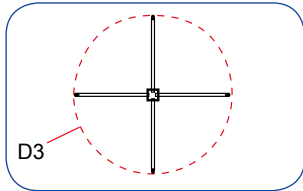
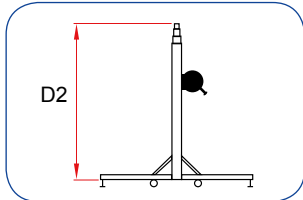
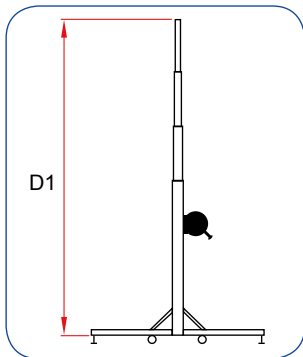
Easylift	
T55510	Chrome
T55511	Black
SWL	30 kg
D1	3.80m
D2	1.74m
D3	1.24m
	1.86m
kg	22.00 kg

- Accepts 16 & 28 mm spigots
- Unique auto safety lock
- Self braking clutch/winch
- Fold away winch handle



T50503 Castor Kit (Easylift)





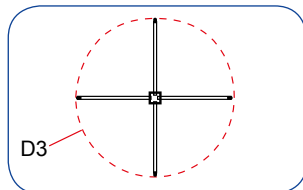
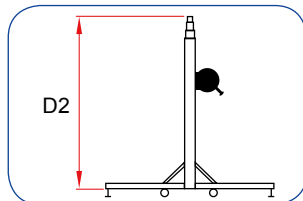
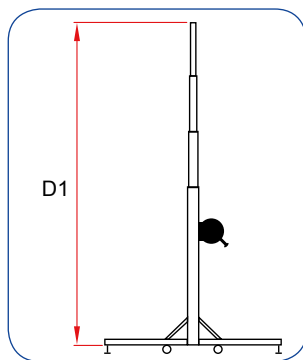
- Four sections giving a low loading height
- A unique self locking system
- Single person operation
- Accepts standard 28mm spigots
- Powder coated finish

Strata Mk II Winch Stand

T55569

Strata 515R

SWL	150 kg
D1	5.22m
D2	1.73m
D3	1.96m
—	1.85m
kg	47.00 kg

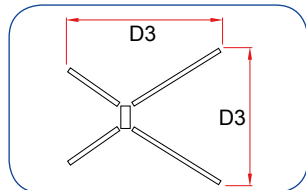
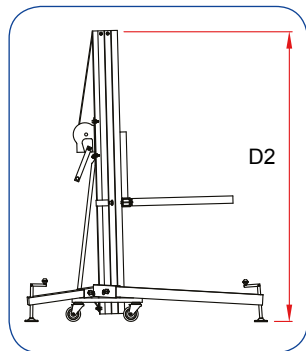
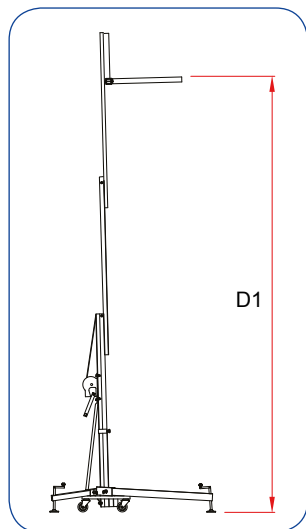


- Four sections giving a low loading height
- A unique self locking system
- Single person operation
- Accepts standard 28mm spigots
- Powder coated finish



### Zenith MkIV Truss Lift

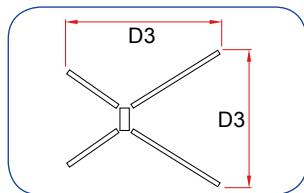
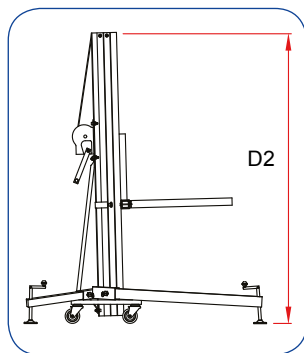
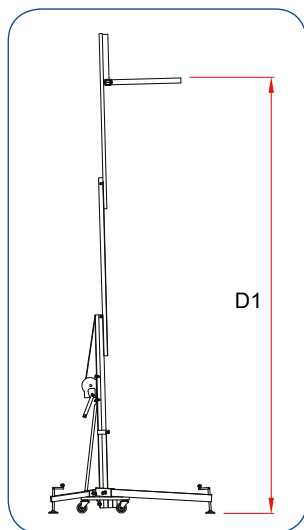
T55580	Zenith 520R	T55590	Zenith 620R
SWL	200 kg	SWL	200 kg
D1	5.37m	D1	6.23m
D2	1.85m	D2	2.06m
D3	2.15m	D3	2.15m
	1.85m		2.06m
kg	93.50 kg	kg	99.50 kg



Pegasus 550

T55600	
SWL	220 kg
D1	5.45m
D2	1.7m
D3	2.0m
kg	87.00 kg

Note: The SWL stated is with the center of the load 250mm from the mast face. The SWL decreases as the load moves away from the mast. See the manual or data sheet for full details.

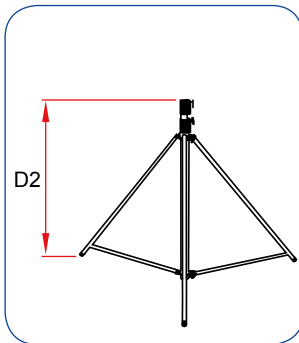
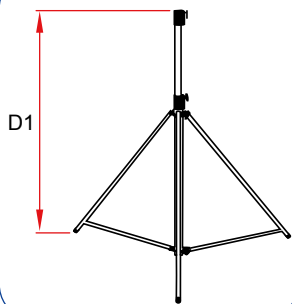


### Pegasus 650

T55610

SWL	240 kg
D1	6.5m
D2	2.0m
D3	2.2m
kg	114.00 kg

Note: The SWL stated is with the center of the load 250mm from the mast face. The SWL decreases as the load moves away from the mast. See the manual or data sheet for full details.

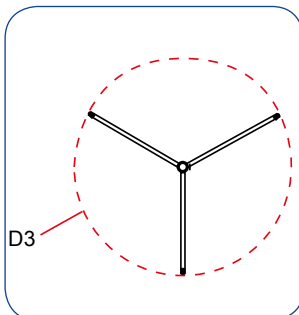


TV Roller Race  
T74200 Euro spec

T51700 Followspot

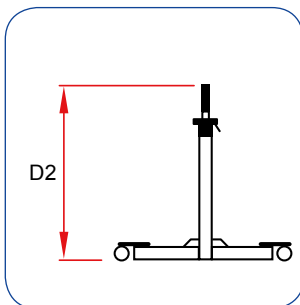
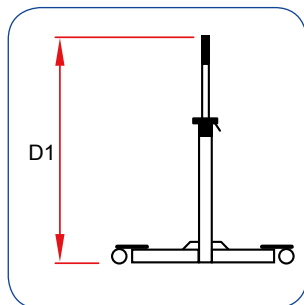
T51701 Shadow

SWL	40 kg
D1	1.41m
D2	0.88m
D3	1.06m
☰	1.03m
kg	5.90 kg

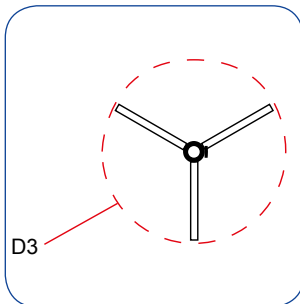




29mm Receiver




T72800 Euro spec



Professional Followspot

T54402

SWL	75 kg
D1	1.30m
D2	0.76m
D3	0.88m
	0.73m
kg	20.00 kg

- High degree of stability
- Rapidly dismantled for transportation
- Positive lock height adjustment
- Suitable for use with a variety of followspots
- Steel and aluminium construction
- Black powder coated finish

# Spigots

A complete range of spigots and adaptors for use in studios, theatres and entertainment venues.

Universal standards of 28mm and 16mm spigots and adaptors manufactured from chromed plated steel and polished aluminium.

All spigots are supplied to Euro specification unless otherwise stated.

Special spigots are available on request.







T74300 - M10 Steel  
 T74302 - M10 Aluminium  
 T74301 - M12 Steel  
 T74303 - M12 Aluminium



T74700 - M10 Steel  
 T74705 - M10 Aluminium  
 T74710 - M12 Steel  
 T74500 - M12 Aluminium



T73000 - M10 Steel  
 T73100 - M12 Steel

**Female TV Spigot**

**Euro Spec**

D1	115mm
D2	M10/M12
D3	40mm
D4	Ø28mm
D5	4mm
D6	30mm
kg	0.50 kg

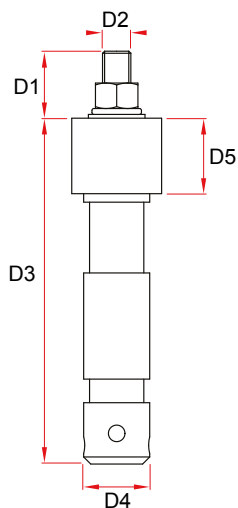
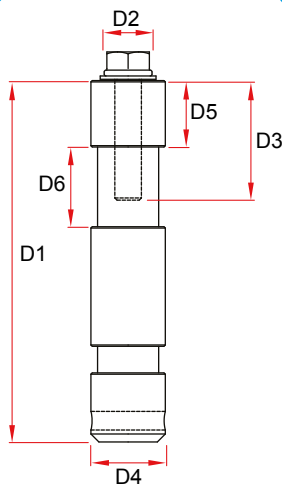
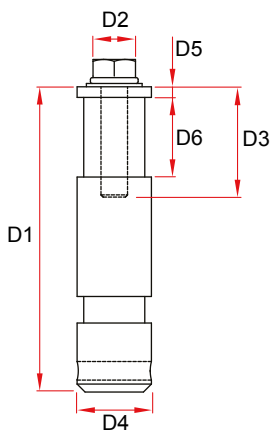
**Female TV Spigot**

**Long Shank**

D1	136mm
D2	M10/M12
D3	40mm
D4	Ø28mm
D5	25mm
D6	30mm
kg	0.59 kg

**TV Spigot**

D1	28mm
D2	M10/M12
D3	147mm
D4	Ø28mm
D5	32mm
kg	0.79 kg





T73102 - M10  
T73103 - M12



T72700 - 120mm dia  
T72900 - 100mm dia



T74200

Spigot Cap

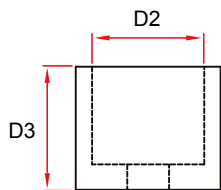
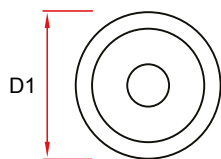
D1	Ø38.1mm
D2	Ø29mm
D3	32mm
kg	0.14 kg

TV Spigot with Followspot Plate

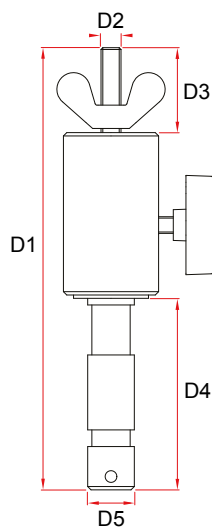
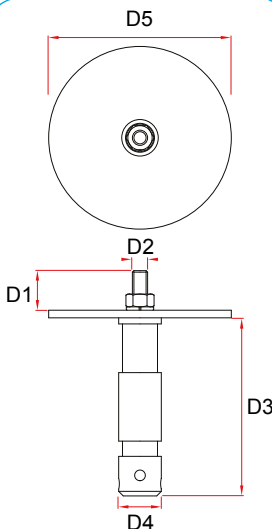
D1	26mm
D2	M10/M12
D3	117mm
D4	Ø28mm
D5	dia
kg	0.97 kg

Roller Race TV Spigot

D1	265mm
D2	M12
D3	51mm
D4	115mm
D5	Ø28mm
kg	2.5 kg



M10 - 11mm  
M12 - 13mm





T74400



T73400 - M10 Aluminium  
T73401 - M10 Steel  
T73500 - M12 Aluminium  
T73501 - M12 Steel



T73350 - M10 Female Aluminium  
T73360 - M12 Female Aluminium

35mm Speaker Spigot

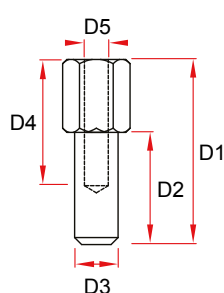
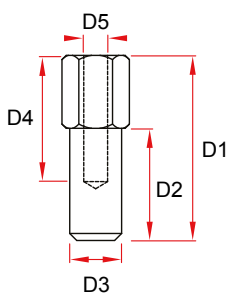
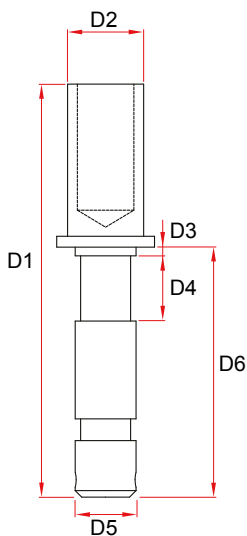
D1	190mm
D2	Ø35mm
D3	4mm
D4	30mm
D5	Ø28mm
D6	115mm
kg	0.76 kg

Standard Spigot

D1	66mm
D2	40mm
D3	Ø19mm
D4	45mm
D5	M10/M12
kg	0.13 kg

Female 16mm Spigot

D1	66mm
D2	40mm
D3	Ø16mm
D4	45mm
D5	M10/M12
kg	0.04 kg





T73900 - Steel



T73370 - M8 Female Aluminium  
T73380 - M10 Female Aluminium



T73390 - M10 Female Aluminium  
T73391 - M6 Female Aluminium  
T73392 - M12 Female Aluminium

**Mini Spigot (16mm)**

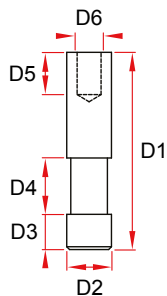
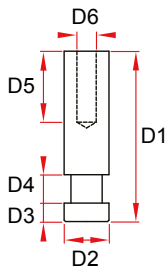
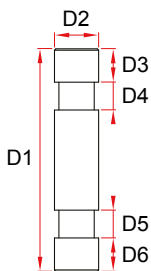
D1	80mm
D2	Ø16mm
D3	12mm
D4	10mm
D5	10mm
D6	12mm
kg	0.11 kg

**Female 16mm Solo Spigot**

D1	60mm
D2	Ø16.0mm
D3	6.5mm
D4	10mm
D5	25mm
D6	M8/M10
kg	0.03 kg

**16mm 'Beamer' Spigot**

D1	70mm
D2	Ø16mm
D3	12.5mm
D4	20mm
D5	15mm
D6	M6/M10/M12
kg	0.03 kg





G1188 - Stainless steel



G1198 - Steel  
G1199 - Aluminium



G1196 - Steel  
G1195 - Aluminium

16mm Spigot (Male)

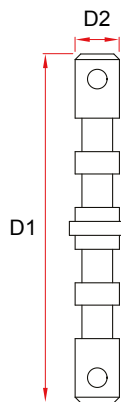
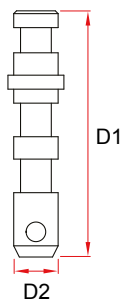
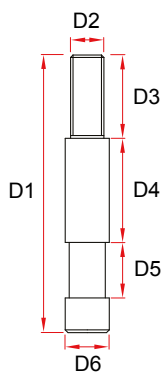
D1	100mm
D2	M12
D3	30mm
D4	37.5mm
D5	20mm
D6	Ø16mm
kg	0.02 kg

Spigot 16 x 16mm Lighting

D1	88mm
D2	Ø16mm
kg	0.11 kg

Spigot 16 x 16mm Grip

D1	125mm
D2	Ø16mm
kg	0.15 kg



# 3 Point Receiver

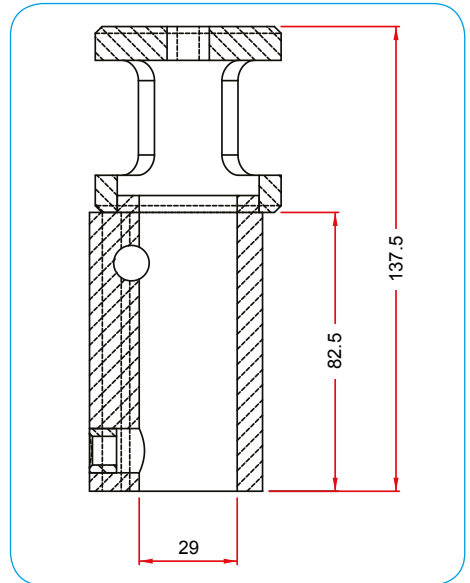
Manufactured from high tensile aluminium and designed with a leading TV/Grip supplier, the 3 Point Receiver has been carefully designed to incorporate the following safety points:

1. A 6mm diameter pin designed to take the initial load quickly and safely
2. Our standard sword pin which allows 360° rotation
3. A Doughty knob which enables the luminaire to be locked at a chosen point of rotation

T84300 - Black

T84310 - Silver

**SWL 100 kg**



The 3 Point Receiver has a SWL of 100 kg and accepts 28mm (1 $\frac{1}{8}$ " ) spigots of either Euro or DIN spec.

This receiver can be factory fitted to the majority of our aluminium clamp range and is also fitted to pantographs as standard.

There is a 12mm mounting hole for use with clamps and two 6mm holes for other applications.

Receivers can be fitted by an Authorised Service Agent.

The 3 Point Receiver is also a key part of our Studio Rail System fitted to the 6 wheel carriages.

Available either powder coated black or as polished aluminium.



T74100 - 29mm x 16mm  
T74000 - 29mm x 19mm



T73800



T74307 - M10  
T74308 - M12

Adaptor TV

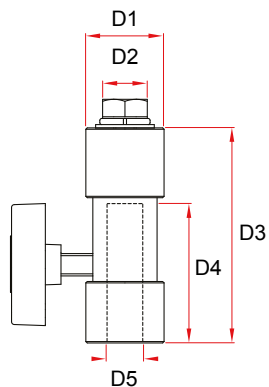
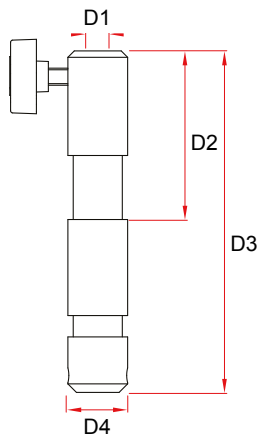
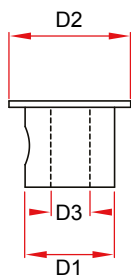
D1	Ø28mm
D2	Ø38.1mm
D3	Ø16.5 - 19.5mm
kg	0.90 kg

Reducer 28 x 16mm

D1	Ø16.5mm
D2	80mm
D3	160mm
D4	Ø28mm
kg	0.60 kg

Adaptor TV Standard

D1	Ø28mm
D2	M10 or M12
D3	77mm
D4	50mm
D5	Ø16.5mm
kg	0.33 kg





G1190 - Steel  
G1191 - Aluminium



G1189

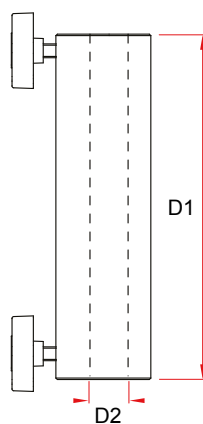
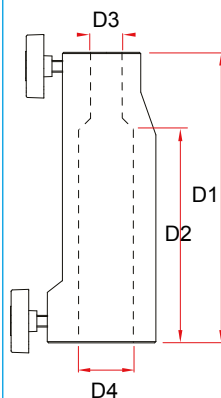
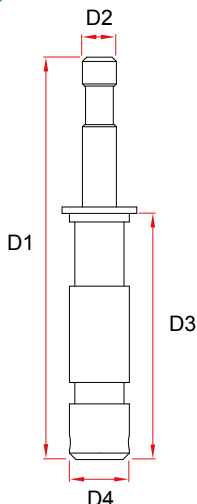
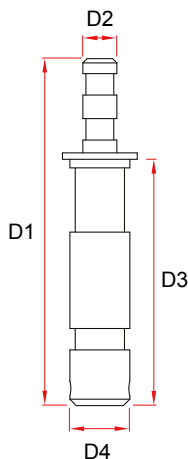


G1002  
29mm x 16mm



G1003  
16mm x 16mm

Lighting Spigot		Stand Adaptor		Socket Adaptor		Socket Adaptor	
28 x 16mm		28 x 16mm		29 x 16mm		16 x 16mm	
D1	162mm	D1	188mm	D1	170mm	D1	145mm
D2	Ø16mm	D2	Ø16mm	D2	120mm	D2	Ø16.5mm
D3	115mm	D3	115mm	D3	Ø16.5mm	kg	0.34 kg
D4	Ø28mm	D4	Ø28mm	D4	Ø29mm		
kg	0.56 kg	kg	0.60 kg	kg	0.43 kg		

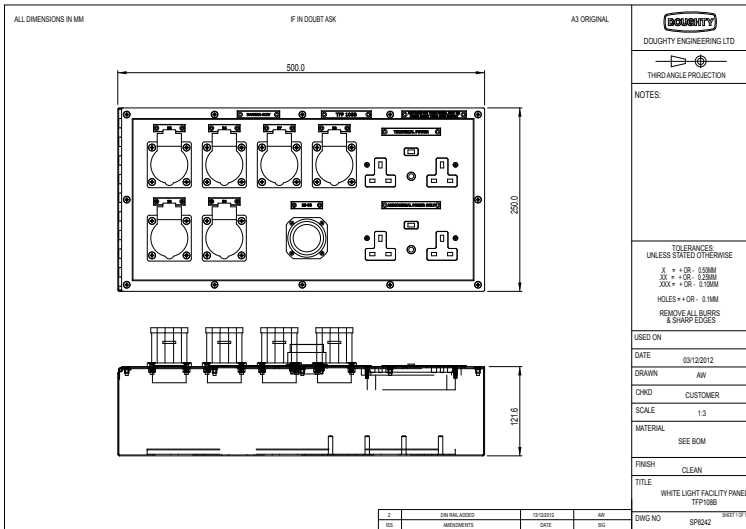




# Bespoke Facility Panels

We manufacture high quality bespoke Facility Panels and Production Lighting Boxes in our UK factory and are happy to liaise with theatre consultants to ensure optimum realisation of designs or concepts.

Full production drawings featuring all components are produced for each panel, for client approval prior to production, saving time and ensuring total satisfaction.

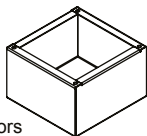


# Standard Boxes

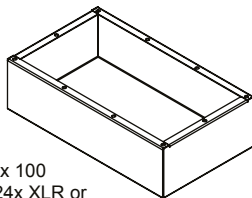
Standard Boxes are manufactured to the same exacting standards as our Bespoke panels, featuring fully seam welded 1.2mm construction, Satin Black powder paint finish and fitted with M4 nut-serts.

Front panels can be laser profiled with any connector type. If you wish to design your own panels, CAD files with blank front panels and a large selection of connector cut-outs are available upon request.

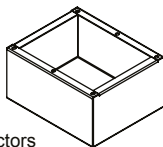
T78100  
165 x 160 x 100  
For up to 6x XLR or  
1x 15/16A Power Connectors



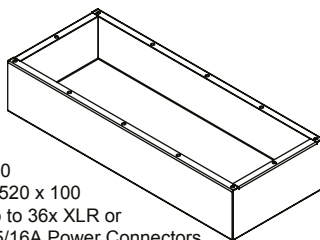
T78125  
210 x 360 x 100  
For up to 24x XLR or  
8x 15/16A Power Connectors



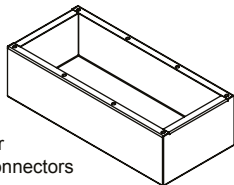
T78105  
165 x 200 x 100  
For up to 8x XLR or  
2x 15/16A Power Connectors



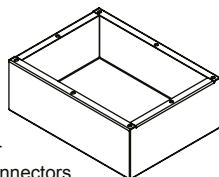
T78130  
210 x 520 x 100  
For up to 36x XLR or  
12x 15/16A Power Connectors



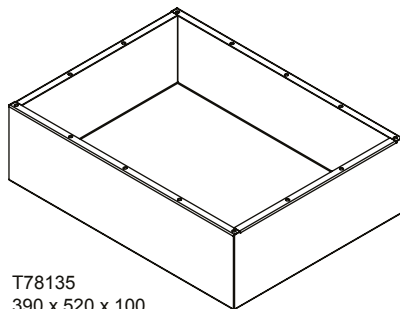
T78115  
165 x 360 x 100  
For up to 16x XLR or  
4x 15/16A Power Connectors



T78120  
210 x 280 x 100  
For up to 18x XLR or  
6x 15/16A Power Connectors



T78135  
390 x 520 x 100  
For up to 84x XLR or  
24x 15/16A Power Connectors



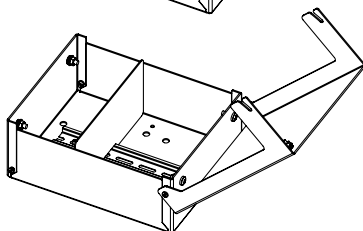
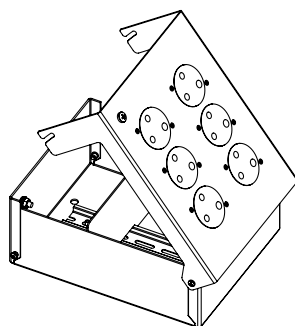
# TOUGHBOX

Toughboxes are a modern evolution of the traditional Facility Panel or Socket Outlet Box.

The Toughbox construction allows for a hinge to be integrated into the front panel, and two returns create a very rigid socket mounting. The hinge can be specified on either side, or at the bottom or top of the panel, (Bespoke Panels). This hinge enables quicker on-site socket termination, and reduces potential cable strain in the process.

Bespoke Toughboxes can be specified to whatever size the application dictates, and are available with engraved labels, crash and tie bars, segregation plates, special paint finishes to list but a few options. Please contact us with any specialist applications, we are happy to discuss any ideas you may have.

Standard Toughboxes offer a variety of Power and Signal Outlets, and are available with or without connectors. Standard Toughboxes also feature a range of mounting holes in the back box, including holes to accept 'U'-bolts for barrel mounting, and Unistrut bolt holes for ceiling mounting.



## Standard Toughboxes

T78210	Platform Termination Box	
T78225	8 x XLR	
T78230	8 x XLR	no connectors
T78235	6 x 15A	
T78240	6 x 15A	no connectors

# Internally Wired Bars

The Doughty Internally Wired Bar range features a unique extruded side mounted terminal box allowing increased access. Sockets are mounted in tough injection moulded ABS socket boxes.

A full range of sockets is held in stock to ensure an efficient service is maintained. Physical Segregation is available for Data Connections etc.

All IWBs are made to order and we are able to offer a bespoke service to a customer's requirements.

Built and tested to the following standards:

- Low voltage directive (2006/95/EC)
- EN60065
- BS EN60059
- BS 7906-1:2003

Safe working loads:

- 78kg uniformly distributed between 2 metre suspension points
- 39kg point load between 2 metre suspension points





13 Amp Socket



15 Amp Socket



16 Amp Socket



XLR



RJ45



Schuko



Special Boxes



Socapex Termination



Engraved Labeling



Extruded Side Mounted Terminal Box



Mini Bar

# 19 Pin Connectors

These Connectors are manufactured with a one piece die cast aluminium body, and feature 24 carat gold plated pins housed in a base of temperature resistant plastic. There are three types of connector available: chassis mounting (SF & SM), standard body (LF & LM), and long body (LFL & LML). Standard Connectors are appropriate where the multi-core cable is to attach directly to a pre-wired bar or dimmer/amp rack.

Long body connectors are ideally suited for use in cable extensions. All connectors are designed to provide a high degree of protection against dust and moisture incursion. Long body connectors are additionally available with factory fitted cable strain relief socks (LFLC) & (LMLC).

## Technical Specifications

Maximum Load Current:	20A @ 220V
Insulation:	DC500V, 500M ohm
Operating temperature:	5° to 80° C
Touch tension:	2 kg
Terminal wear:	5000 + connections
Body:	Die cast aluminium
Finish:	Black anodised
Pins:	24 carat gold plate





Chassis Female

C19SF



Chassis Male

C19SM



Cable Female

C19LF



Cable Male

C19LM



Long Cable Female

C19FL



Long Cable Male

C19ML



Long Cable Female + Sock

C19FLC



Long Cable Male + Sock

C19MLC



Dust Cover Female

C19DT104



Dust Cover Male

C19DT105



Sealer Ring

C19DT116



Gasket for Chassis Connectors

C19DT117

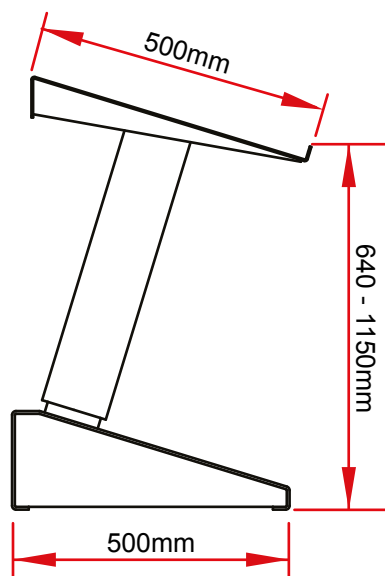
# Lecterns

Motorised steel lecterns, supplied with lamp:

- DDA (Disability Discrimination Act) Compliant
- Motorised height adjustment to suit wheelchair users, children and adults alike
- Anti Vibration/noise dampening microphone mounts
- Designed and manufactured in the UK
- Optional Flight Case available.







Supplied with two microphone sockets and one IEC socket as standard.



### Steel Lectern

T85500

45 kg



Bespoke Lecterns made to order

# Studio Rail 60

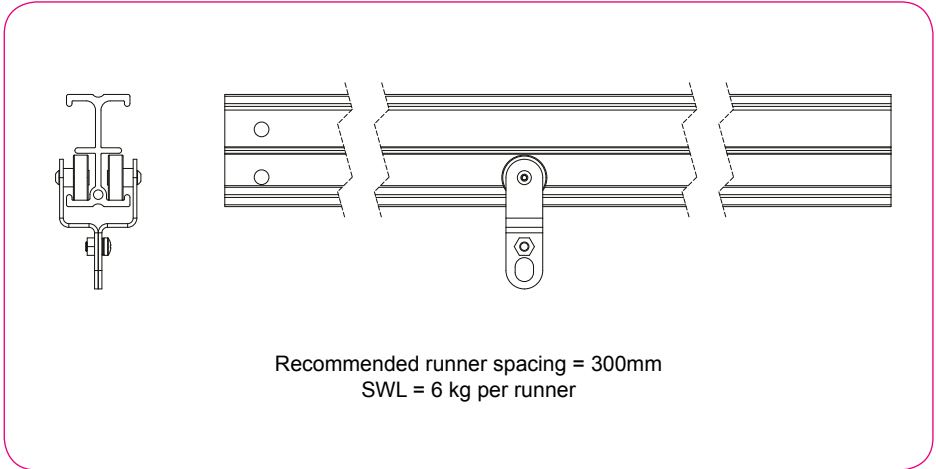
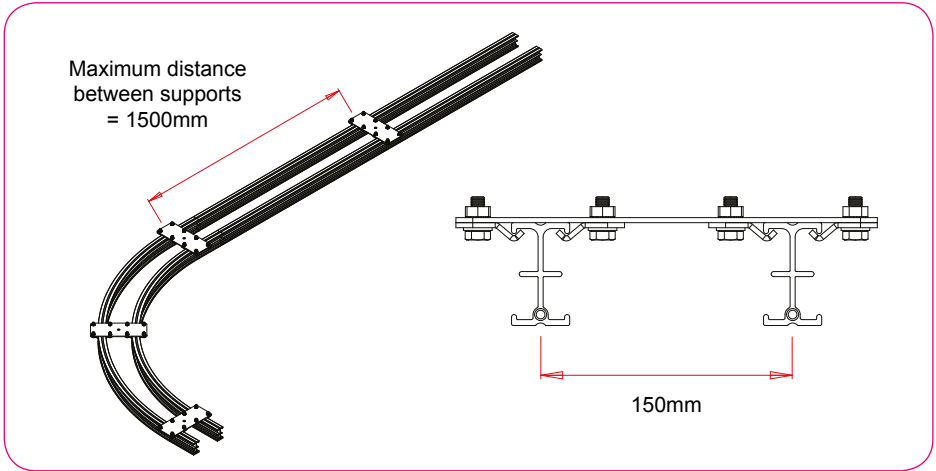
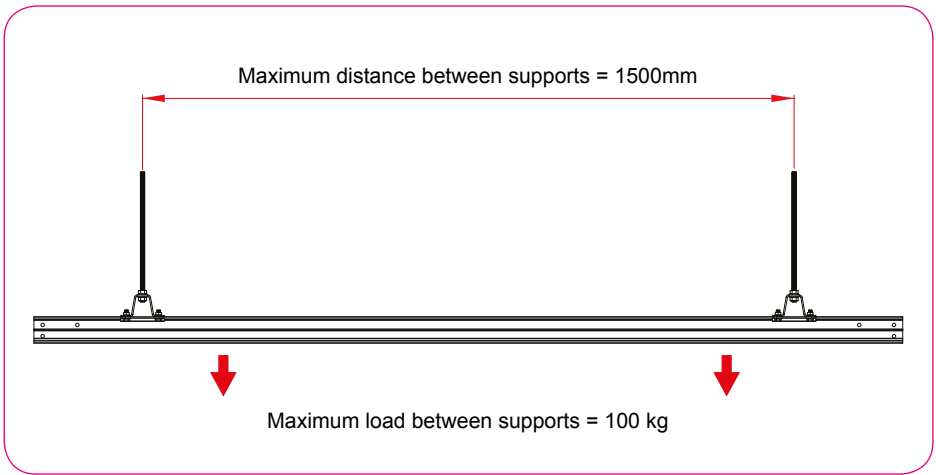
Studio Rail 60 is an extruded aluminium rail available with all the components necessary for a comprehensive overhead studio rail system.

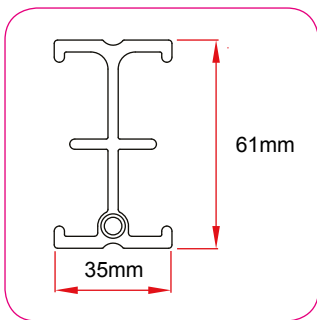
Available in a choice of natural aluminium or black anodised finish, Studio Rail features a unique joint pin system which aids rail alignment and installation.

Studio Rail is available in straight lengths from two to six metres and six standard radius curves with special curves made to order.

As with most Doughty products Studio Rail is manufactured in house. We hold an extensive range in stock for rapid delivery and are able to offer bespoke designs and components to suit individual customer requirements.







**Straight Track**

Silver			Black		
T84000	2m	2.90 kg	T84035	2m	2.90 kg
T84005	3m	4.30 kg	T84040	3m	4.30 kg
T84010	4m	5.80 kg	T84045	4m	5.80 kg
T84015	6m	8.60 kg	T84050	6m	8.60 kg

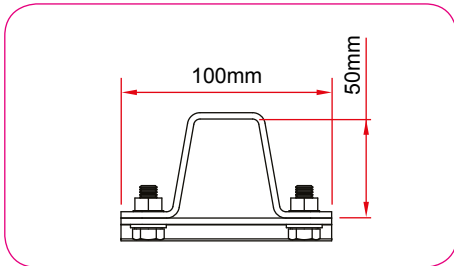
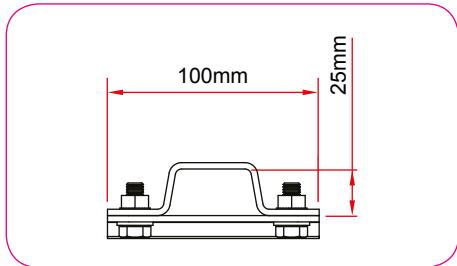
Radii measured to centre of rail allowing 150mm rail centres with multiple rail systems.

Each curve has a 150mm straight lead in to aid assembly.

Special curves available on request.

**Curved Track 90°**

Silver			Black		
T84017	R=75cm	2.15 kg	T84052	R=75cm	2.15 kg
T84018	R=90cm	2.49 kg	T84053	R=90cm	2.49 kg
T84019	R=105cm	2.83 kg	T84054	R=105cm	2.83 kg
T84020	R=120cm	3.18 kg	T84055	R=120cm	3.18 kg
T84025	R=135cm	3.51 kg	T84060	R=135cm	3.51 kg
T84030	R=150cm	3.85 kg	T84065	R=150cm	3.85 kg



**Ceiling Bracket (25mm)**

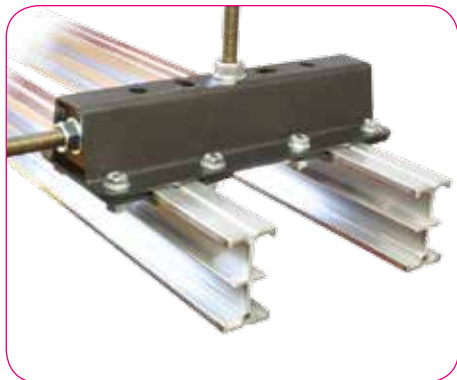
**Ceiling Bracket (50mm)**

T84120	0.52 kg
SWL	100 kg

T84121	0.60 kg
SWL	100 kg

Accepts M10 or M12 fixings.  
Supplied with Rail Clamps.

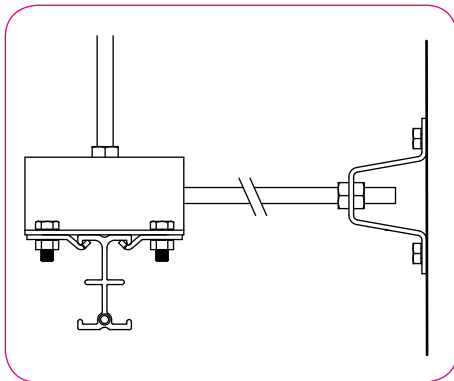
Accepts M10 or M12 fixings.  
Supplied with Rail Clamps.

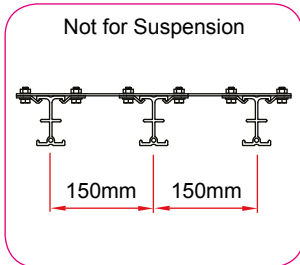
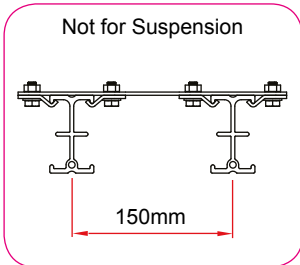
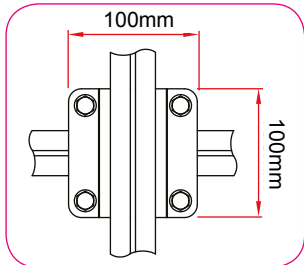


**Ceiling Bracket with Wall Tie option**

T84116	Single Rail Bracket	SWL 100 kg
T84117	Double Rail Bracket	SWL 100 kg
T84118	Triple Rail Bracket	SWL 100 kg

Ideal for suspending twin or triple cyclorama rails. Can also be used to steady grids or cyclorama rails suspended on long stud drops.





**90° Crossover Bracket**

T84130	0.65 kg
SWL	100 kg

Supplied with 4 x Rail Clamps.

**Spacer Plate (Double Rail)**

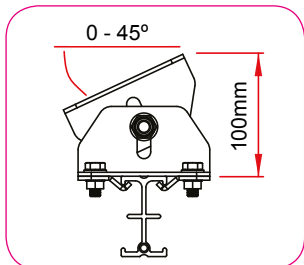
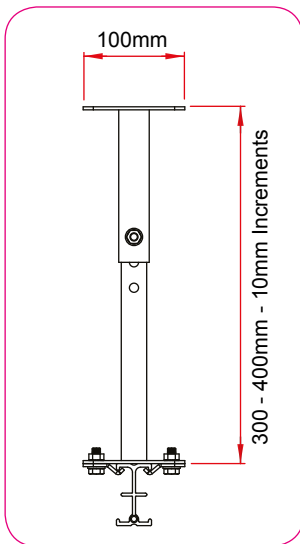
T84110	1.00 kg
SWL	N/A

Supplied with 4 x Rail Clamps

**Spacer Plate (Triple Rail)**

T84115	1.30 kg
SWL	N/A

Supplied with 6 x Rail Clamps.



**Extension Bracket**

T84165	0.90 kg
SWL	100 kg

Supplied with Rail Clamps.

**Extension Bracket**

T84160	1.35 kg
SWL	100 kg

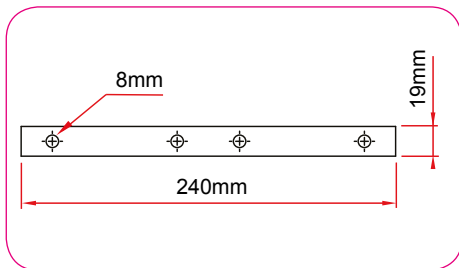
Adjustable. Supplied with Rail Clamps.



**Studio Rail Spare Joint Pins x 5**

T84075 0.04 kg

The Joint Pins aid assembly and rail alignment.



**Studio Rail Joiner Kit**

T84070 Silver 0.20 kg

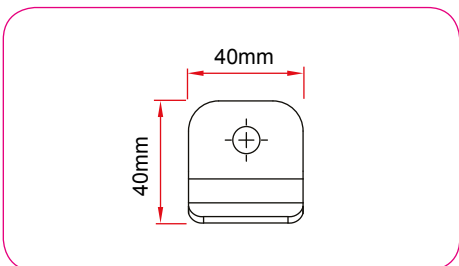
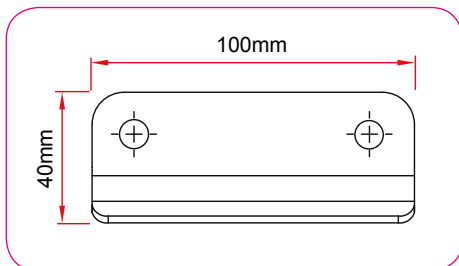
T84071 Black 0.20 kg

Supplied with Joint Pin.

**Studio Rail End Stops x 4**

T84080 0.13 kg

A pair of nylon end stops, supplied as 4 sets.



**Studio Rail Clamps x 2**

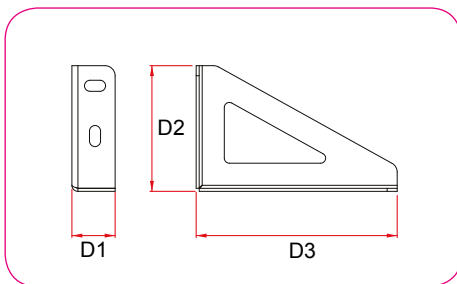
T84085 0.17 kg

A pair of steel rail clamps can be used to clamp rail directly to a solid surface.

**Studio Rail 40mm Clamps x 2**

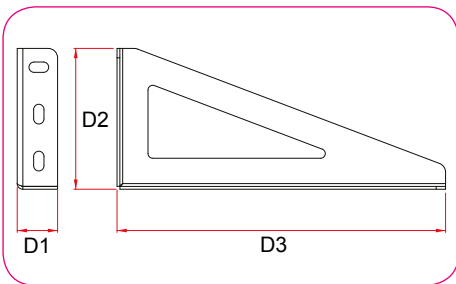
T84086 0.17 kg

A pair of steel rail clamps can be used to clamp rail directly to a solid surface.



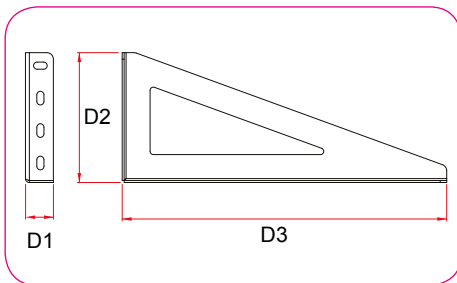
	SWL	D1	D2	D3	kg
T84105	25 kg	43mm	125mm	200mm	0.55 kg

Can be used with T84120 Ceiling Bracket.



	SWL	D1	D2	D3	kg
T84106	25 kg	43mm	150mm	350mm	0.90 kg

Can be used with T84120 Ceiling Bracket.



	SWL	D1	D2	D3	kg
T84107	25 kg	43mm	200mm	500mm	1.50 kg

Can be used with T84120 Ceiling Bracket.





**Cable Car x 5**

T84220

SWL 6 kg

Steel frame with bearings.



**Curtain Car x 5**

T84225

SWL 6 kg

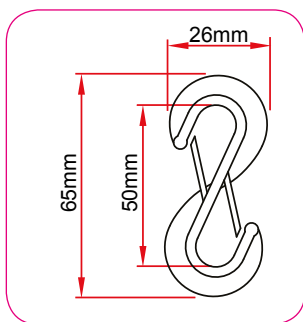
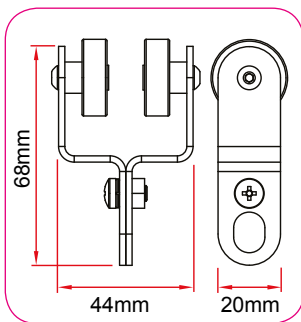
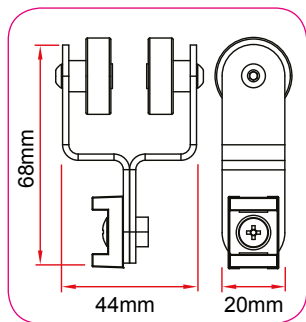
Steel frame with bearings.

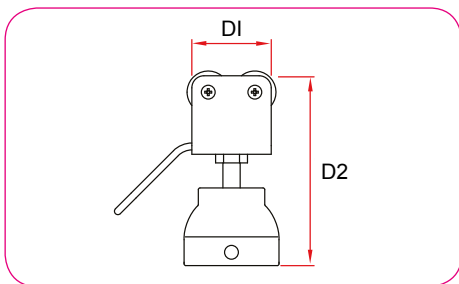


**Nylon Twin Hook**

T63796

SWL 6 kg

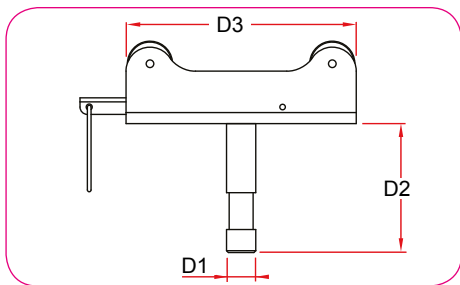




**Cupped Curtain Brake**

	SWL	D1	D2	kg
T84230	N/A	45mm	110mm	0.35 kg

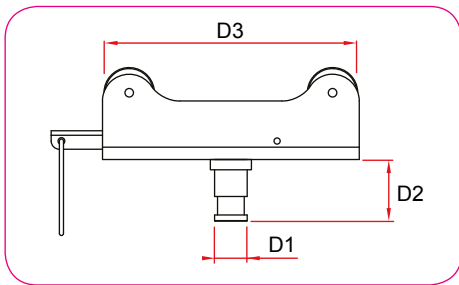
Predominantly used to anchor each end of a curtain.



**4 Wheel Car (fitted with 5/8" spigot) (brake)**

	SWL	D1	D2	D3	kg
T84185	50 kg	16mm	70mm	125mm	0.50 kg

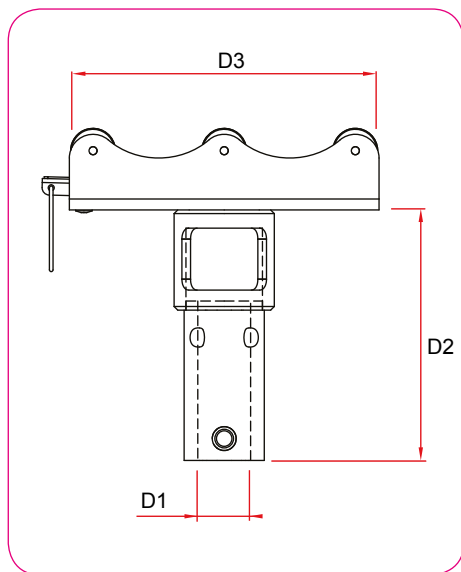
Designed to accept a 16mm receiver and fitted with a friction brake as standard.



**4 Wheel Car (fitted with 5/8" mini spigot) (brake)**

	SWL	D1	D2	D3	kg
T84186	50 kg	16mm	30mm	125mm	0.45 kg

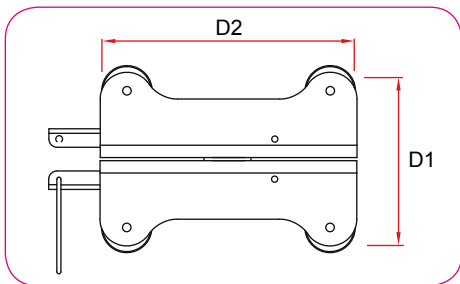
Designed to accept a 16mm receiver and fitted with a friction brake as standard.



**6 Wheel Car 28mm Receiver Carriage**

	SWL	D1	D2	D3	kg
T84205	100 kg	29mm	138mm	170mm	1.10 kg

A 6 wheel car fitted with a brake and 3 point 28mm receiver.

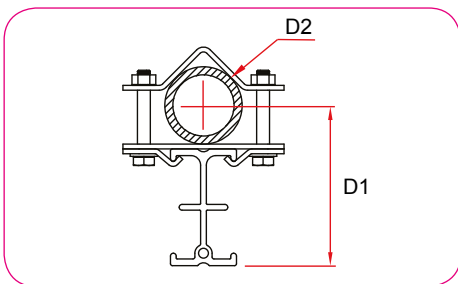


**4 Wheel Double Swivel Car (brake)**

	SWL	D1	D2	D3	kg
T84215	75 kg	85mm	125mm	N/A	0.90 kg

The double swivel carriage enables two rails to be mounted on top of one another. Ideal for use where two parallel rails are installed with cross rails to suspend the luminaires etc.





### Studio Rail to Tube Bracket

	SWL	D1	D2	kg
T84180	100 kg	100mm	48 - 51mm	0.80 kg

This bracket enables Studio Rail to be mounted to 48 - 51mm diameter tubes. Supplied with rail clamps.



### Studio Rail Swivel Arm

T84515	Supplied fitted to a 6 wheel carriage	Working Load up to 25 kg
T84516	Supplied with Ø25mm x 2m black tube	Working Load up to 25 kg

Fitted to a 6 wheel carriage with friction brake the Swivel Arm's position can easily be adjusted on a length of Studio Rail. The Swivel Arm enables 360° positioning of leg / wing curtains or light scenery traditionally used to aid masking of wing space on stage from audience sight lines.

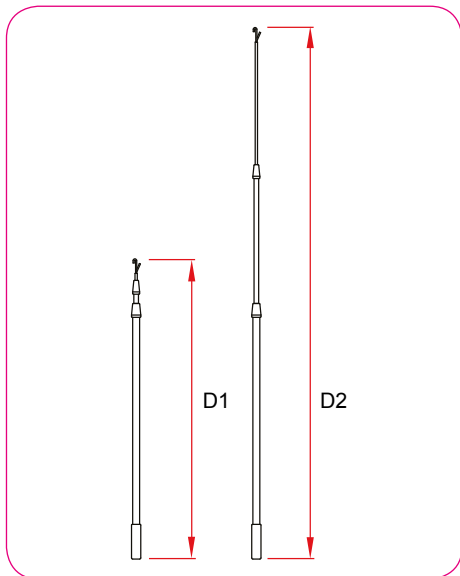


### Studio Rail Drilling Jig

T84260

0.26 kg

A CNC machined aluminum jig fitted with hardened drill bushes. This jig enables the installer to drill the joint holes in any cut pieces of rail accurately ensuring a correctly aligned joint.



### Operating Poles

	SWL	D1	D2	D3	kg
T84249	N/A	1600mm	2800mm	N/A	1.00 kg
T84250	N/A	2000mm	3700mm	N/A	1.20 kg
T84251	N/A	2100mm	4600mm	N/A	1.40 kg
T84252	N/A	2100mm	5500mm	N/A	1.80 kg
T84253	N/A	2750mm	7400mm	N/A	2.20 kg

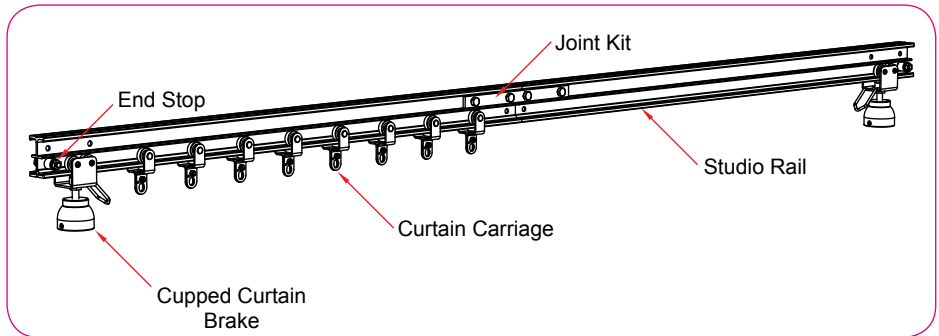
A lightweight telescopic anodised aluminium operating pole fitted with a replaceable hook.

# Studio Rail Walkalong Track Kits

Available in a natural aluminium or black anodise finish these kits include all parts necessary to assemble a walk along curtain rail.

Suspension brackets are not included in these kits and should be ordered separately to suit the type of installation.

Curtain carriages are calculated at 300mm spacings.



Studio Rail Walkalong Track Kits

Silver		Black anodised finish	
T84261	4m	T84262	4m
T84263	5m	T84264	5m
T84265	6m	T84266	6m
T84267	7m	T84268	7m
T84269	8m	T84270	8m
T84271	9m	T84272	9m
T84273	10m	T84274	10m
T84275	11m	T84276	11m
T84277	12m	T84278	12m
T84279	13m	T84280	13m
T84281	14m	T84282	14m
T84283	15m	T84284	15m

# Studio Rail 80

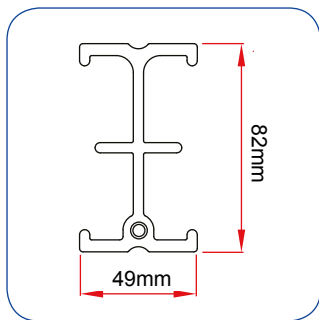
Studio Rail 80 is an extruded aluminium rail available with all the necessary components required to install a comprehensive overhead studio rail system.

Studio Rail 80 features a unique joint pin system which aids rail alignment and installation.

Studio Rail 80 is available in straight lengths from two to six metres and six standard radius curves with special curves made to order.

As with most Doughty products Studio Rail 80 is manufactured in house. We hold an extensive range in stock for rapid delivery and are able to offer special bespoke designs and components to customer requirements.





### Straight Rail

#### Silver

T85000	2m	5.0 kg
T85005	3m	7.5 kg
T85010	4m	10.0 kg
T85015	6m	15.0 kg

Radii measured to centre of rail allowing 150mm rail centres with multiple rail systems.

Each curve has a 150mm straight lead in to aid assembly.

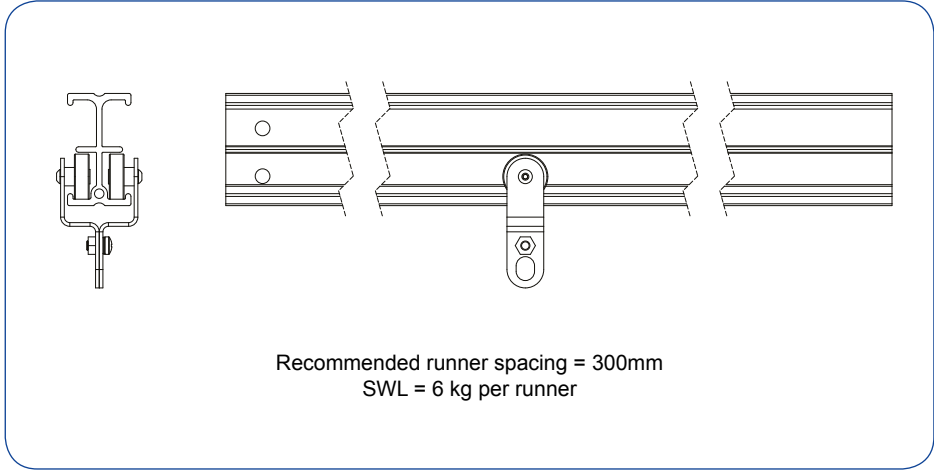
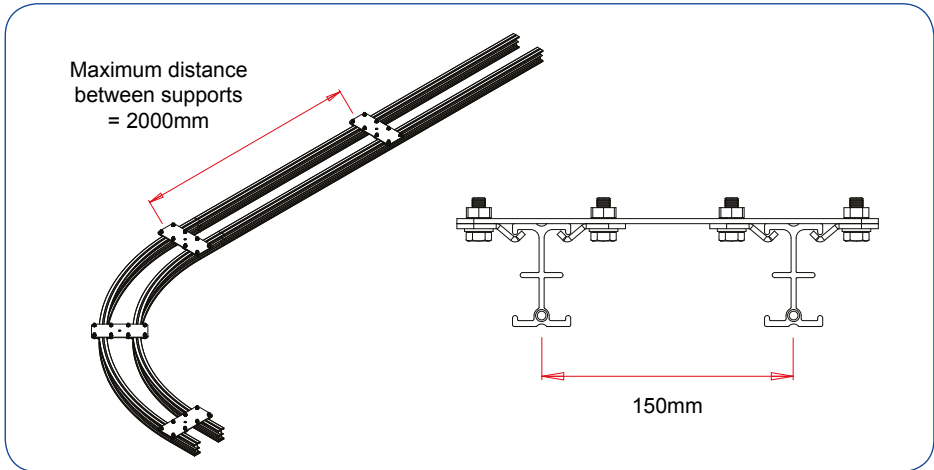
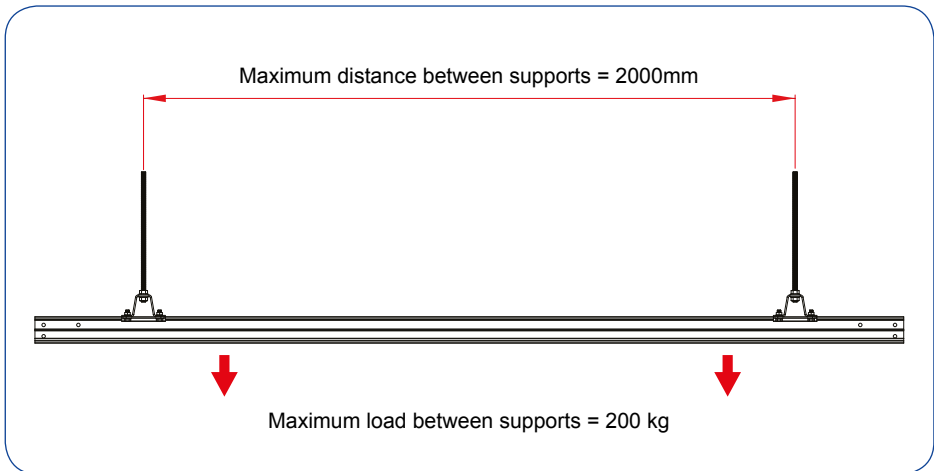
Special curves available on request

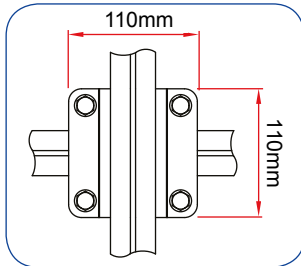
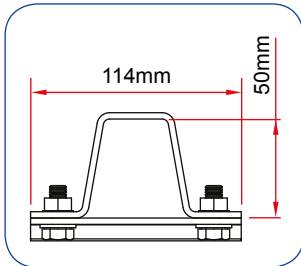
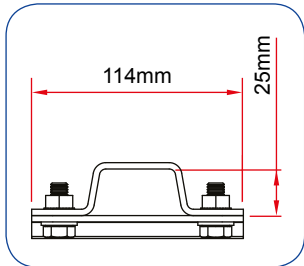
### Curved Track 90°

#### Silver

T85017	R=75cm	2.5 kg
T85018	R=90cm	3.5 kg
T85019	R=105cm	4.0 kg
T85020	R=120cm	4.5 kg
T85025	R=135cm	5.0 kg
T85030	R=150cm	5.5 kg







**Ceiling Bracket 25mm**

T85120	0.60 kg
SWL	200 kg

Supplied without rail clamps.

**Ceiling Bracket 50mm**

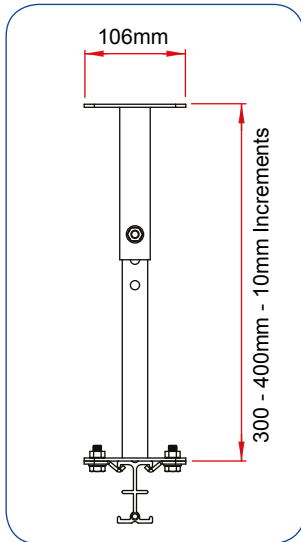
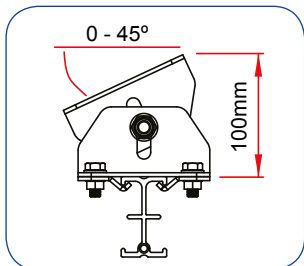
T85121	1.00 kg
SWL	200 kg

Supplied with rail clamps.

**90° Crossover Bracket**

T85130	0.65 kg
SWL	100 kg

Supplied with 4 x rail clamps.



**Adjustable Angle Bracket**

T85165	0.90 kg
SWL	100 kg

Supplied with rail clamps.

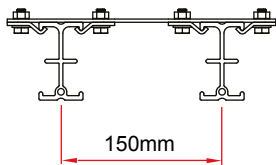
**Extension Bracket**

T85160	1.35 kg
SWL	200 kg

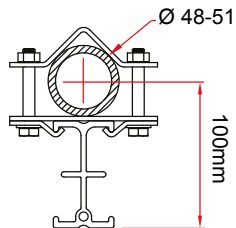
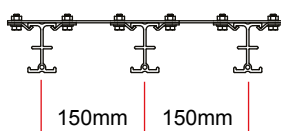
Adjustable. Supplied with rail clamps.



Not for Suspension



Not for Suspension



**Spacer Plate (double rail)**

T85110	1.00 kg
SWL	n/a

Supplied with rail clamps.

**Spacer Plate (triple rail)**

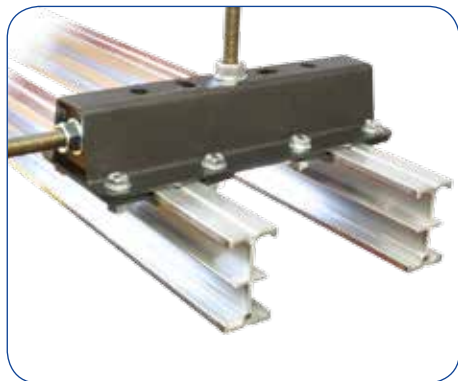
T85115	1.30 kg
SWL	n/a

Supplied with rail clamps.

**Studio Rail 80 to Tube Bracket**

T85180	0.90 kg
SWL	100 kg

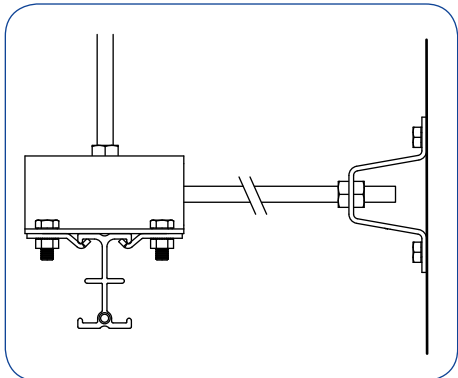
Supplied with rail clamps.

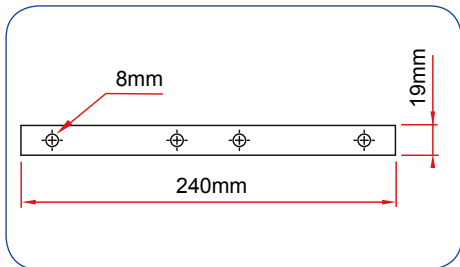


**Ceiling Bracket with Wall Tie option**

T85116	Single Rail Bracket	SWL 100 kg
T85117	Double Rail Bracket	SWL 100 kg
T85118	Triple Rail Bracket	SWL 100 kg

Ideal for suspending twin or triple cyclorama rails. Can also be used to steady grids or cyclorama rails suspended on long stud drops.





**Joiner Kit**

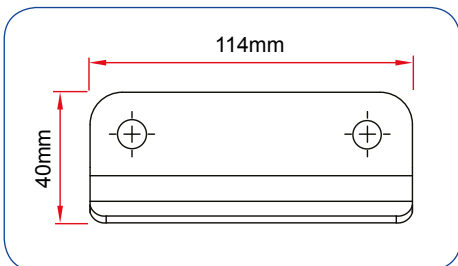
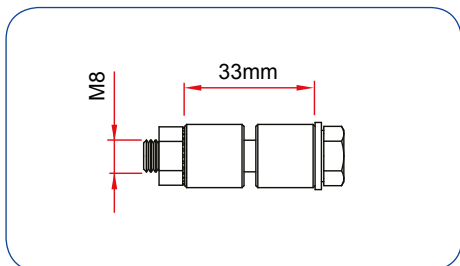
T85070	Silver	0.20 kg
--------	--------	---------

Supplied with Joint Pin.

**Spare Joint Pins x 5**

T85075		0.04 kg
--------	--	---------

The Joint Pins aid assembly and rail alignment.



**End Stops x 4**

T85080		0.13 kg
--------	--	---------

A pair of nylon end stops, supplied as 4 sets.

**Clamps x 2**

T85085		0.20 kg
--------	--	---------

A pair of steel rail clamps, can be used to clamp rail directly to a solid surface.



**Cable Car x 5**

T85220 SWL 6 kg

Steel frame with bearings

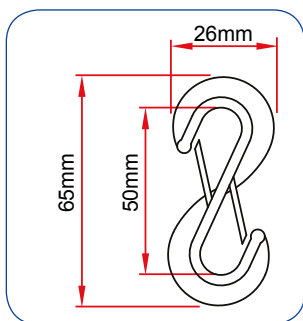
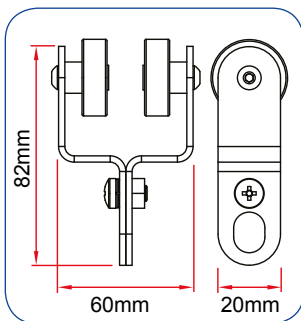
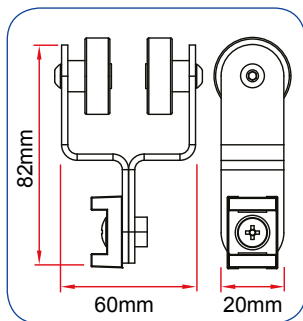
**Curtain Car x 5**

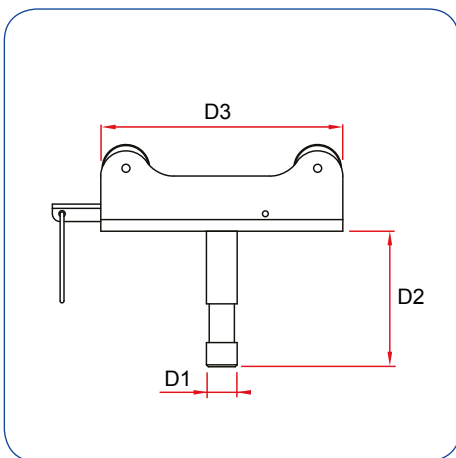
T85225 SWL 6 kg

Steel frame with bearings

**Nylon Twin Hook**

T63796 SWL 6 kg

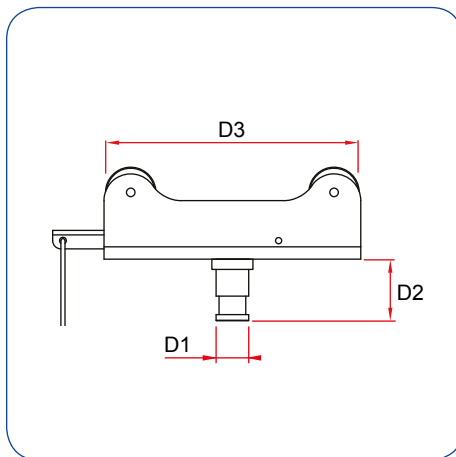




4 Wheel Carriage (fitted with 5/8" spigot) (brake)

	SWL	D1	D2	D3	kg
T85185	200 kg	16mm	70mm	159mm	0.60 kg

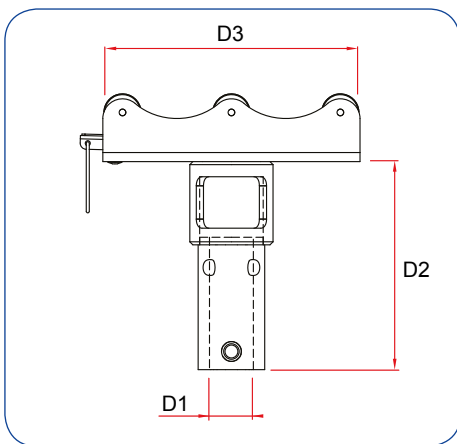
Designed to accept a 16mm receiver and fitted with a friction brake as standard.



4 Wheel Carriage (fitted with 5/8" mini spigot) (brake)

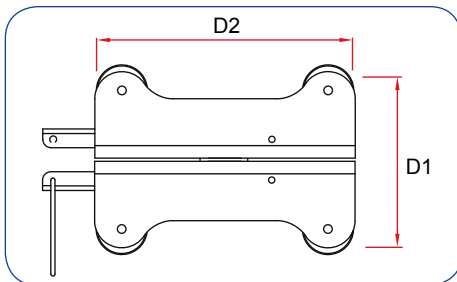
	SWL	D1	D2	D3	kg
T85186	200 kg	16mm	30mm	159mm	0.50 kg

Designed to accept a 16mm receiver and fitted with a friction brake as standard.



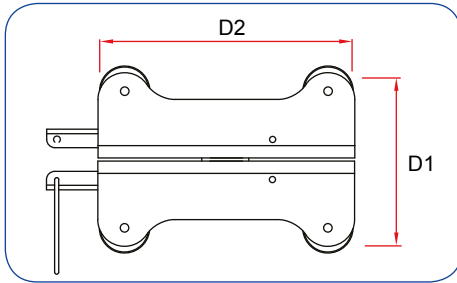
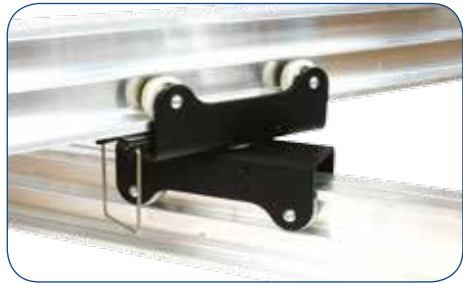
**6 Wheel Carriage (fitted with 28mm receiver) (brake)**

	SWL	D1	D2	D3	kg
T85205	200 kg	29mm	138mm	242mm	1.2 kg



**4 Wheel Double Swivel Car (brake)**

	SWL	D1	D2	kg
T85215	100 kg	159mm	116mm	1.0 kg



**Studio Rail 80 to Studio Rail 60 Double Swivel Car (brake)**

	SWL	D1	D2	kg
T85217	75 kg	159mm	116mm	1.0 kg

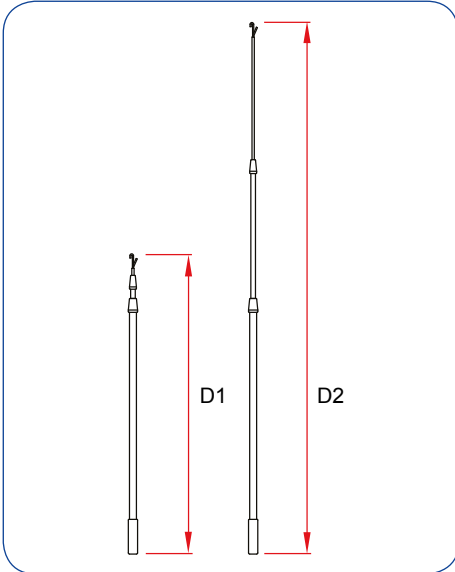


### Studio Rail 80 Drilling Jig

T85260

0.26 kg

A CNC machined aluminum jig fitted with hardened drill bushes. This jig enables the installer to drill the joint holes in any cut pieces of rail accurately ensuring a correctly aligned joint.



### Operating Poles

	SWL	D1	D2	D3	kg
T84249	N/A	1600mm	2800mm	N/A	1.00 kg
T84250	N/A	2000mm	3700mm	N/A	1.20 kg
T84251	N/A	2100mm	4600mm	N/A	1.40 kg
T84252	N/A	2100mm	5500mm	N/A	1.80 kg
T84253	N/A	2750mm	7400mm	N/A	2.20 kg

A lightweight telescopic anodised aluminium operating pole fitted with a replaceable hook.



# Barrel Trolleys

Barrel Trolleys are normally used to suspend Pantographs from fixed or rolling pipe grids and barrel hoists. The new range of lightweight cast aluminium barrel trolleys from Doughty is designed to roll along 48mm diameter tubes. The trolleys are supplied as standard with a socket to accept 28mm TV spigots. Braked and unbraked versions are available in crackle black powder paint.



Barrel Trolley		
	SWL	kg
G1600	75 kg	2.5 kg

Braked Barrel Trolley		
	SWL	kg
G1642	75 kg	2.5 kg



Slimline Barrel Trolley		
	SWL	kg
G1605	75 kg	2.5 kg

Slimline Braked Barrel Trolley		
	SWL	kg
G1645	75 kg	2.5 kg

# Lightweight Pantographs

The Doughty Lightweight Sprung Pantograph is ideal for smaller TV and photographic studios. Supplied in black finish, the Lightweight Pantograph comes in two sizes, 2m and 3m, with a load rating of 3 - 15kg, making it suitable for lightweight luminaires.



## Mounting - 16mm Receiver

G1500	2.0m	SWL 3 - 15 kg
G1501	3.0m	SWL 3 - 15 kg



## Mounting - Studio Rail 60

G1510	2.0m	SWL 3 - 15 kg
G1511	3.0m	SWL 3 - 15 kg

All lightweight pantographs are supplied with a 16mm mini spigot bottom fixing unless requested otherwise.

# Standard Pantographs

The Doughty Sprung Pantographs have been designed to be lightweight and compact, with strength, safety and ease of use being the main features. Loads from 5 to 36 kg can be suspended from overhead tracks or barrels and quickly positioned with height ranges of 2.2 to 5 metres.



Standard Pantographs				
	Springs	SWL	Length	kg
G1660	2	12 kg	2.2m	7.8 kg
G1662	2	12 kg	3.0m	9.6 kg
G1664	2	12 kg	4.0m	13.0 kg
G1666	2	12 kg	5.0m	16.4 kg
G1670	3	20 kg	2.2m	7.5 kg
G1672	3	20 kg	3.0m	10.3 kg
G1674	3	20 kg	4.0m	13.6 kg
G1676	3	20 kg	5.0m	17.0 kg
G1680	4	27 kg	2.2m	7.5 kg
G1682	4	27 kg	3.0m	10.3 kg
G1684	4	27 kg	4.0m	10.4 kg
G1686	4	27 kg	5.0m	17.0 kg
G1694	5	36 kg	4.0m	15.8 kg
G1696	5	36 kg	5.0m	17.0 kg

# Lighting Hoists

The Doughty range of Lighting Hoists provides a highly versatile and economical suspension system. Together with our comprehensive range of control systems, specifically designed for the hoists, they provide a fully optimised and easy to use H&S compliant system.

Doughty Lighting Hoists are specified to individual requirements. Please contact our Technical Sales department for more information.

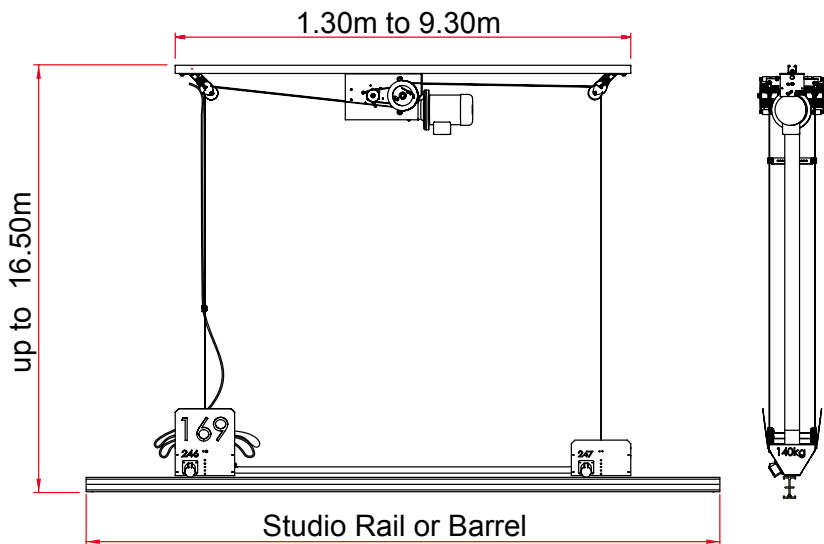
- Flexible modular design aiding maintenance and installation
- Can be fitted with programmable position control allowing hoist to return to memorised position
- Low self weight reduces building costs
- Compact 'closed height' for more height benefit in the studio
- Barrel 'roll past' feature is standard on the system
- Chassis and barrel lengths can be adjusted on-site to accommodate late building alterations.

## Lighting Hoist Controller

- Single metal wall mounted enclosure
- Raise and lower buttons
- Emergency stop mushroom switch
- Power indicator light
- Antichatter circuitry as required by hoist
- Tamperproof cases available on request.



Shown in a lockable tamperproof case.



### Standard Hoist Spec

- 4 wire ropes
- Maximum load 140 kg
- Maximum drop up to 16.5m
- Chassis length 1.3 to 3.3m
- Barrel diameter 48.3mm aluminium or steel 1.3 to 5m
- Typical self weight 70 kg

### Special Hoist Spec

- 4, 6 or 8 wire ropes
- Maximum load up to 200 kg
- Hoist length up to 9.3m
- Barrel length up to 11m
- Scenery hoist options available

Full range of socket plates are available to suit individual requirements including audio, video, DMX and technical power. Platform, round and special cables can be used.

Sensors: overload, slack rope, rope break on each rope, top and bottom travel limits, with ultimate travel limits.



### Roll Past Feature:

Barrel trolleys 'roll past' the hangers to give completely unrestricted travel along the bar.

# Index by Part No

<b>Part No</b>	<b>Page</b>	<b>Part No</b>	<b>Page</b>	<b>Part No</b>	<b>Page</b>
C19DT104 .....	265	G1174 .....	205	G1605 .....	291
C19DT105 .....	265	G1175 .....	205	G1642 .....	291
C19DT116 .....	265	G1176 .....	205	G1645 .....	291
C19DT117 .....	265	G1177 .....	203	G1660 .....	293
C19LF .....	265	G1178 .....	203	G1662 .....	293
C19LFL .....	265	G1179 .....	203	G1664 .....	293
C19LFLC .....	265	G1180 .....	203	G1666 .....	293
C19LM .....	265	G1181 .....	203	G1670 .....	293
C19LML .....	265	G1182 .....	203	G1672 .....	293
C19LMLC .....	265	G1188 .....	255	G1674 .....	293
C19SF .....	265	G1189 .....	258	G1676 .....	293
C19SM .....	265	G1190 .....	258	G1680 .....	293
G1000 .....	217	G1191 .....	258	G1682 .....	293
G1001 .....	217	G1195 .....	255	G1684 .....	293
G1002 .....	258	G1196 .....	255	G1686 .....	293
G1003 .....	258	G1197 .....	216	G1694 .....	293
G1104 .....	218	G1198 .....	255	G1696 .....	293
G1106 .....	218	G1199 .....	255	G2005 .....	241
G1108 .....	218	G1200 .....	207	G200501 .....	241
G1110 .....	218	G120001 .....	207	G2006 .....	241
G1113 .....	218	G1210 .....	207	G200601 .....	241
G1114 .....	218	G121001 .....	207	G2007 .....	241
G1115 .....	47	G1220 .....	207	G200701 .....	241
G111501 .....	47	G1221 .....	208	G2008 .....	241
G1128 .....	216	G1230 .....	208	G200801 .....	241
G1128 .....	139	G1235 .....	208	G2016 .....	214
G1129 .....	216	G1245 .....	208	G2020 .....	213
G1129 .....	139	G1250 .....	208	G202001 .....	213
G1140 .....	209	G1255 .....	208	G2021 .....	213
G1141 .....	209	G1260 .....	207	G202101 .....	213
G1142 .....	209	G1300 .....	210	G2022 .....	213
G1147 .....	209	G1305 .....	211	G202201 .....	213
G1150 .....	202	G1310 .....	210	G2023 .....	213
G1160 .....	201	G1315 .....	210	G202301 .....	213
G1160 .....	208	G1320 .....	211	G2024 .....	213
G116001 .....	201	G1330 .....	210	G2025 .....	213
G116001 .....	208	G1335 .....	210	G2030 .....	237
G1165 .....	204	G1340 .....	210	G203001 .....	237
G1166 .....	204	G1345 .....	211	G2031 .....	237
G1167 .....	204	G1345 .....	216	G203101 .....	237
G1168 .....	204	G1405 .....	139	G2035 .....	237
G1169 .....	204	G1415 .....	216	G203501 .....	237
G1170 .....	204	G1500 .....	292	G2036 .....	237
G1171 .....	205	G1501 .....	292	G203601 .....	237
G1172 .....	205	G1510 .....	292	G2040 .....	237
G1173 .....	205	G1511 .....	292	G204001 .....	237
		G1600 .....	291	G2045 .....	237

<b>Part No</b>	<b>Page</b>	<b>Part No</b>	<b>Page</b>	<b>Part No</b>	<b>Page</b>
G204501.....	237	T11900.....	164	T17625 .....	170
G2046.....	238	T11900.....	171	T17629 .....	170
G204601.....	238	T12500 .....	163	T17900 .....	166
G2050.....	238	T12500 .....	171	T18200 .....	166
G205001.....	238	T12600 .....	164	T18250 .....	169
G2051.....	238	T12700 .....	164	T19100 .....	171
G205101.....	238	T12800 .....	163	T19200 .....	171
G2060.....	227	T12800 .....	171	T19300 .....	171
G206001.....	227	T12900 .....	164	T194002S.....	160
G2070.....	239	T13000 .....	166	T194003 .....	155
G207001.....	239	T13100 .....	165	T194005 .....	154
G2071.....	239	T13100 .....	171	T194005E.....	154
G207101.....	239	T13200 .....	165	T194006 .....	154
G2075.....	239	T13200 .....	171	T194007 .....	155
G207501.....	239	T13200 .....	171	T194007E.....	155
G2076.....	239	T13300 .....	161	T194009 .....	155
G207601.....	239	T13300 .....	170	T194010 .....	156
G2080.....	240	T13301 .....	161	T194011.....	156
G208001.....	240	T13301 .....	170	T194011E.....	156
G2081.....	240	T13400 .....	166	T194012 .....	156
G208101.....	240	T13500 .....	167	T194013 .....	156
G2085.....	240	T13800 .....	166	T194013E.....	156
G208501.....	240	T14000 .....	166	T194014S.....	160
G2086.....	240	T14300 .....	165	T194016 .....	161
G208601.....	240	T14400 .....	165	T194017ADJ.....	159
G2090.....	240	T14500 .....	165	T194017EM.....	158
G209001.....	240	T14600 .....	165	T194017S .....	160
G209101.....	240	T14700 .....	167	T194017SM.....	160
G2200.....	226	T14800 .....	167	T194019 .....	159
G2201.....	226	T14900 .....	163	T194020 .....	161
G3015.....	219	T14900 .....	171	T194021-35 .....	158
G3016.....	219	T15800 .....	164	T194021-45 .....	158
G3018.....	219	T16000 .....	167	T194022S.....	160
G3301.....	219	T16100 .....	167	T194023 .....	159
G3501.....	225	T16500 .....	167	T194025 .....	159
G3502.....	225	T16700 .....	169	T194027 .....	159
G3503.....	225	T16700M.....	168	T194030C.....	159
G3504.....	225	T16800 .....	169	T194042 .....	157
G3505.....	225	T16800M.....	168	T194046 .....	157
G3506.....	225	T16900 .....	168	T194046ADJ.....	157
GT1240.....	208	T16900M.....	168	T194050 .....	158
ST57000.....	16	T17000 .....	169	T194054/3 .....	158
ST57001.....	16	T17100 .....	169	T194055 .....	158
ST57100.....	16	T17300 .....	169	T194070 .....	155
T10100 .....	163	T17300F.....	168	T194100 .....	161
T10400 .....	163	T17300M.....	168	T194102 .....	161
T10400 .....	171	T17600 .....	164	T194104 .....	157
T10400 .....	171	T17620 .....	170	T194105 .....	157
T11600.....	163	T17621 .....	170	T194106E.....	155
T11600.....	171	T17622 .....	170	T194120 .....	161

Part No	Page	Part No	Page	Part No	Page
T194122	161	T23490	100	T29804	81
T194595	157	T23500	100	T29805	81
T19700	95	T23505	100	T29806	81
T19800	95	T23510	100	T29810	82
T19900	95	T24000	148	T29850	83
T19905	95	T2400001	149	T29860	83
T19910	95	T24001	148	T29870	84
T20000	93	T2400101	149	T30100	153
T20100	89	T24002	148	T30101	153
T20101	89	T2400201	149	T30300	76
T20102	90	T24003	148	T30405	74
T20103	94	T2400301	149	T30406	74
T2010301	94	T24004	148	T30407	74
T20104	89	T2400401	149	T30408	73
T2010401	89	T24010	150	T30409	73
T20105	90	T24015	150	T30410	73
T2010501	90	T24050	148	T30500	77
T20107	89	T2405001	149	T30500/1	77
T2010701	89	T24800	152	T30600	77
T20200	93	T24801	152	T30600/1	77
T20201	93	T24900	152	T30700	78
T20210	92	T24901	152	T30800	75
T20212	92	T24905	153	T30801	75
T20301	93	T25000	153	T30804	75
T20400	90	T25100	153	T30806	75
T20401	90	T25108	153	T30900	78
T20405	92	T2510801	153	T31000	78
T20500	95	T25150	153	T31500	77
T20600	95	T28000	101	T31500/1	77
T20700	95	T28001	101	T31600	77
T20705	95	T28025	101	T31600/1	77
T20710	95	T28050	101	T31700	77
T20900	91	T28075	101	T31700/1	77
T20901	91	T28380	256	T32000	76
T20910	96	T2840001	113	T32001	76
T21000	100	T2841001	113	T32002	76
T21100	91	T2844001	113	T32100	76
T21101	91	T2844501	113	T32102	76
T21500	96	T2849001	113	T32103	76
T21600	96	T2870001	101	T32400	78
T21700	96	T28865	85	T32500	78
T21705	96	T28870	86	T33300	145
T21710	96	T28875	87	T33310	145
T21800	91	T29497	80	T33400	78
T21801	91	T29498	80	T33500	78
T21805	94	T29500	82	T33600	78
T2180501	94	T29600	82	T33700	147
T21810	94	T29700	81	T33800	145
T2181001	94	T29800	82	T33900	145
T22001	113	T29801	82	T34000	147



<b>Part No</b>	<b>Page</b>	<b>Part No</b>	<b>Page</b>	<b>Part No</b>	<b>Page</b>
T34100	147	T39701	98	T42302	98
T37500	97	T39702	98	T42303	98
T37600	97	T39800	98	T42305	98
T37650	104	T39801	98	T42307	98
T37651	104	T39802	98	T42500	98
T37652	105	T39900	98	T42501	98
T37653	104	T39901	98	T42502	98
T37654	105	T39902	98	T42600	97
T37655	105	T40000	123	T42700	97
T37656	104	T400001	123	T42800	115
T37660	106	T40100	123	T42801	115
T37661	106	T401001	123	T42812	115
T37662	107	T40200	123	T42813	115
T37663	106	T402001	123	T42814	115
T37664	107	T40300	123	T42820	115
T37665	107	T403001	123	T42821	115
T37666	106	T40400	123	T42822	115
T37680	108	T40400	75	T42823	115
T37681	108	T404001	123	T42824	115
T37682	109	T40401	75	T42830	115
T37683	108	T40402	75	T42831	115
T37684	109	T40404	75	T42832	115
T38000	99	T40500	123	T42833	115
T38100	99	T405001	123	T42834	115
T38101	99	T40600	123	T42836	115
T38200	99	T406001	123	T42837	115
T38201	99	T41000	122	T42838	115
T38400	99	T41100	122	T42839	115
T38401	99	T41200	122	T42840	115
T38500	99	T41300	122	T42846	115
T38501	99	T41400	122	T42847	115
T38600	99	T41500	122	T42848	115
T38700	99	T41600	122	T42849	115
T38800	99	T41700	122	T42850	115
T38802	99	T41800	122	T42855	115
T38900	99	T41850	124	T42856	115
T38902	99	T41860	124	T42857	115
T39000	99	T41870	124	T42858	115
T39002	99	T41900	122	T42859	115
T39100	110	T41902	122	T42860	116
T39101	111	T41904	122	T42861	116
T39200	110	T42000	98	T42865	116
T39201	111	T42001	98	T42870	116
T39300	110	T42100	98	T42872	116
T39301	111	T42101	98	T42885	117
T39400	110	T42200	98	T42886	117
T39401	111	T42201	98	T42897	117
T39500	97	T42202	98	T42898	117
T39600	97	T42300	98	T42899	117
T39700	98	T42301	98	T42901	119

Part No	Page	Part No	Page	Part No	Page
T42902	119	T43103	232	T45785	63
T42903	119	T43200	232	T45786	63
T42904	119	T43201	232	T45790	63
T42905	119	T43203	232	T45791	63
T42911	119	T44450	212	T45795	66
T42912	119	T44460	212	T45796	66
T42913	119	T44470	212	T45797	66
T42914	119	T44475	212	T45798	66
T42915	119	T44480	212	T45800	71
T42921	119	T44482	212	T45801	71
T42922	119	T44484	212	T45810	71
T42923	119	T44486	212	T45811	71
T42924	119	T44500	212	T45815	71
T42925	119	T44505	212	T45816	71
T42931	119	T44640	212	T45820	71
T42932	119	T44645	212	T45821	71
T42933	119	T44650	212	T45825	71
T42934	119	T45400	215	T45826	71
T42935	119	T45401	215	T45830	71
T42941	119	T45500	215	T45831	71
T42942	119	T45501	215	T45850	70
T42943	119	T45600	215	T45851	70
T42944	119	T45601	215	T45855	70
T42945	119	T45610	215	T45856	70
T42951	119	T45612	215	T45900	67
T42952	119	T45614	215	T45901	67
T42953	119	T45616	215	T45910	67
T42954	119	T45618	215	T45911	67
T42955	119	T45725	214	T49200	234
T42979	121	T45745	68	T49300	234
T42980	121	T45747	68	T49400	234
T42981	121	T45750	69	T49465	234
T42982	121	T45751	69	T49470	234
T42983	121	T45752	69	T49475	234
T42984	120	T45755	70	T50500	226
T42985	120	T45756	70	T50502	226
T42986	120	T45757	68	T50600	229
T42987	120	T45758	68	T50700	229
T42988	120	T45760	64	T50810	231
T42989	120	T45761	64	T50811	231
T42990	120	T45765	64	T50812	231
T42995	120	T45766	64	T50813	231
T42997	121	T45767	65	T50814	231
T42998	121	T45768	65	T50820	229
T42999	121	T45770	63	T50820	139
T43000	232	T45771	63	T50825	229
T43001	232	T45775	63	T50825	139
T43003	232	T45776	63	T50830	229
T43100	232	T45780	63	T50830	139
T43101	232	T45781	63	T50835	229

<b>Part No</b>	<b>Page</b>	<b>Part No</b>	<b>Page</b>	<b>Part No</b>	<b>Page</b>
T50835	139	T55704	56	T57236	11
T50900	229	T55705	56	T57249	49
T50901	229	T55710	58	T57250	49
T51000	230	T55715	58	T57310	53
T51100	230	T55720	59	T57311	53
T51200	235	T55725	59	T57315	53
T51201	235	T55750	60	T57316	53
T51600	235	T55755	60	T57317	53
T51601	235	T55780	60	T57318	53
T51700	248	T55785	60	T57320	53
T51701	248	T55800	61	T57321	53
T51800	235	T55805	61	T57325	54
T51801	235	T55810	61	T5732501	54
T51900	236	T55815	61	T57340	52
T51901	236	T56500	78	T57345	52
T52000	236	T56600	78	T57350	52
T52001	236	T56800	78	T57355	52
T52100	236	T56900	78	T57360	52
T52101	236	T57000	8	T57365	52
T52200	230	T57001	18	T57370	52
T52201	230	T57010	8	T57375	52
T52600	230	T57011	18	T57400	31
T52800	227	T57100	9	T57401	31
T52900	229	T57102	9	T57405	33
T53000	229	T57104	9	T57406	33
T53100	229	T57110	9	T57410	31
T54100	140	T57112	9	T57411	31
T54150	140	T57114	9	T57415	33
T54155	141	T57120	8	T57416	33
T54175	226	T57121	8	T57420	32
T54200	139	T57200	8	T57421	32
T54250	137	T57201	8	T57422	34
T54255	137	T57203	12	T57423	34
T54260	138	T57204	12	T57425	34
T54402	249	T57205	12	T57426	34
T54410	142	T57206	12	T57430	32
T54420	143	T57207	12	T57431	32
T55100	242	T57208	12	T57435	34
T55111	242	T57210	57	T57436	34
T55200	242	T57211	57	T57440	32
T55201	242	T57214	58	T57441	32
T55500	242	T57219	58	T57450	31
T55501	242	T57220	231	T57451	31
T55510	243	T57223	11	T57455	33
T55511	243	T57224	11	T57456	33
T55569	244	T57225	10	T58010	18
T55580	245	T5722501	10	T58011	18
T55590	245	T57227	10	T58014	18
T55600	246	T57230	14	T58015	18
T55610	247	T57235	11	T58018	19

<b>Part No</b>	<b>Page</b>	<b>Part No</b>	<b>Page</b>	<b>Part No</b>	<b>Page</b>
T58026	19	T58306	42	T58761	48
T58030	19	T58315	42	T58762	48
T58031	19	T58316	42	T58763	48
T58080	24	T58340	42	T58780	46
T58081	24	T58341	42	T58781	46
T58085	24	T58400	5	T58782	46
T58086	24	T58500	44	T58783	46
T58089	24	T58501	44	T58790	48
T58090	24	T58505	44	T58791	48
T58098	24	T58506	44	T58792	48
T58099	24	T58515	44	T58793	48
T58100	21	T58516	44	T58795	48
T58101	21	T58540	44	T58800	28
T58105	21	T58541	44	T58801	28
T58106	21	T58600	14	T58810	29
T58107	21	T58601	14	T5881001	29
T58109	21	T58605	14	T58815	29
T58110	22	T58606	14	T5881501	29
T58111	22	T58700	57	T58820	29
T58115	22	T58701	57	T5882001	29
T58116	22	T58720	50	T58830	28
T58120	22	T58725	50	T5883001	28
T58121	22	T58726	50	T58840	28
T58122	26	T58728	50	T5884001	28
T5812201	26	T58729	50	T58860	36
T58123	26	T58730	50	T5886001	36
T5812301	26	T58731	50	T58861	36
T58124	26	T58733	50	T5886101	36
T5812401	26	T58734	50	T58862	36
T58125	26	T58735	49	T5886201	36
T58126	26	T58736	49	T58869	36
T58130	47	T58738	49	T5886901	36
T5813001	47	T58739	49	T58870	28
T58150	38	T58740	49	T58875	29
T58151	38	T58741	49	T5887501	29
T58155	38	T58743	49	T58880	29
T58156	38	T58744	49	T5888001	29
T58160	38	T58745	50	T58885	29
T58161	38	T58746	50	T5888501	29
T58200	40	T58748	50	T58887	28
T58201	40	T58749	50	T5888701	28
T58205	40	T58750	49	T58890	28
T58206	40	T58751	49	T5889001	28
T58215	40	T58753	49	T58900	28
T58216	40	T58754	49	T5890001	28
T58240	40	T58756	48	T58905	29
T58241	40	T58757	48	T5890501	29
T58300	42	T58758	48	T58910	29
T58301	42	T58759	48	T5891001	29
T58305	42	T58760	48	T58915	29

<b>Part No</b>	<b>Page</b>	<b>Part No</b>	<b>Page</b>	<b>Part No</b>	<b>Page</b>
T5891501 .....	29	T63733 .....	182	T63865 .....	193
T58920 .....	28	T63734 .....	182	T63908 .....	179
T5892001 .....	28	T63735 .....	182	T63909 .....	179
T58927 .....	28	T63736 .....	182	T63910 .....	179
T5892701 .....	28	T63737 .....	182	T63911 .....	179
T58970 .....	28	T63738 .....	182	T63912 .....	179
T5897001 .....	28	T63739 .....	182	T63913 .....	179
T5897001 .....	28	T63749 .....	186	T63914 .....	179
T58975 .....	29	T63750 .....	177	T63915 .....	179
T5897501 .....	29	T63750 .....	186	T63916 .....	179
T58980 .....	29	T63751 .....	177	T63917 .....	179
T5898001 .....	29	T63751 .....	186	T63918 .....	179
T58985 .....	29	T63752 .....	177	T63919 .....	179
T5898501 .....	29	T63752 .....	187	T63920 .....	180
T58990 .....	28	T63753 .....	187	T63921 .....	180
T5899001 .....	28	T63754 .....	187	T63922 .....	180
T58997 .....	28	T63755 .....	177	T63923 .....	180
T5899701 .....	28	T63755 .....	177	T63924 .....	180
T59000 .....	133	T63755 .....	185	T63925 .....	180
T60000 .....	135	T63756 .....	177	T63926 .....	180
T60100 .....	135	T63756 .....	185	T63927 .....	180
T60200 .....	135	T63757 .....	185	T63928 .....	180
T60600 .....	135	T63760 .....	177	T63929 .....	180
T60900 .....	133	T63760 .....	184	T63930 .....	180
T61100 .....	134	T63765 .....	184	T63931 .....	180
T61700 .....	126	T63766 .....	184	T63941 .....	178
T61800 .....	126	T63770 .....	177	T63942 .....	178
T61900 .....	126	T63770 .....	184	T63943 .....	178
T62100 .....	126	T63775 .....	188	T63944 .....	178
T62500 .....	126	T63776 .....	177	T63945 .....	178
T62501 .....	126	T63777 .....	188	T63946 .....	178
T62700 .....	126	T63778 .....	177	T63947 .....	178
T62800 .....	126	T63778 .....	188	T63948 .....	178
T62900 .....	126	T63780 .....	123	T63949 .....	178
T63000 .....	126	T63780 .....	189	T63950 .....	178
T63400 .....	126	T63785 .....	187	T63951 .....	178
T63500 .....	126	T63795 .....	189	T63952 .....	178
T63600 .....	126	T63796 .....	275	T64000 .....	131
T63700 .....	126	T63796 .....	287	T64100 .....	131
T63705 .....	182	T63796 .....	185	T64200 .....	130
T63706 .....	182	T63820 .....	189	T64300 .....	130
T63707 .....	182	T63825 .....	189	T64600 .....	133
T63708 .....	182	T63830 .....	189	T64700 .....	133
T63710 .....	182	T63840 .....	190	T64800 .....	133
T63715 .....	182	T63841 .....	190	T64900 .....	132
T63726 .....	183	T63845 .....	191	T65000 .....	128
T63727 .....	183	T6384503 .....	191	T65300 .....	129
T63730 .....	182	T63850 .....	191	T65400 .....	129
T63731 .....	182	T63860 .....	193	T65500 .....	129
T63732 .....	182	T63862 .....	193	T65600 .....	132

<b>Part No</b>	<b>Page</b>	<b>Part No</b>	<b>Page</b>	<b>Part No</b>	<b>Page</b>
T65700	132	T75080	221	T81061	173
T66100	127	T76000	195	T81070	173
T66200	127	T76100	195	T81071	173
T66300	127	T76200	195	T81080	173
T66400	128	T76300	195	T81081	173
T66500	128	T76400	195	T81100	174
T67000	133	T76500	195	T81110	174
T67200	134	T76505	196	T81120	174
T67300	125	T76506	196	T81140	175
T72700	252	T76507	196	T81150	175
T72800	249	T76600	195	T81160	175
T72900	252	T76700	195	T81161	175
T73000	251	T76800	196	T81170	174
T73100	251	T76900	198	T81190	174
T73102	252	T77000	198	T81191	174
T73103	252	T77100	197	T81192	174
T73350	253	T77100	198	T81200	174
T73360	253	T77200	200	T84000	270
T73370	254	T77300	199	T84005	270
T73380	254	T77400	199	T84010	270
T73390	254	T77500	200	T84015	270
T73391	254	T77600	200	T84017	270
T73392	254	T77650	200	T84018	270
T73400	253	T77800	197	T84019	270
T73401	253	T77900	197	T84020	270
T73500	253	T77910	197	T84025	270
T73501	253	T77950	199	T84030	270
T73776	188	T77960	199	T84035	270
T73800	257	T77970	199	T84040	270
T73900	254	T78100	260	T84045	270
T74000	257	T78105	260	T84050	270
T74100	257	T78115	260	T84052	270
T74200	248	T78120	260	T84053	270
T74200	252	T78125	260	T84054	270
T74300	251	T78130	260	T84055	270
T74301	251	T78135	260	T84060	270
T74302	251	T78210	261	T84065	270
T74303	251	T78225	261	T84070	273
T74307	257	T78230	261	T84071	273
T74308	257	T78235	261	T84075	273
T74400	253	T78240	261	T84080	273
T74500	251	T81000	173	T84085	273
T74700	251	T81001	173	T84086	273
T74705	251	T81010	173	T84105	274
T74710	251	T81011	173	T84105	146
T75000	222	T81020	173	T84106	274
T75010	222	T81021	173	T84106	146
T75020	222	T81050	173	T84107	274
T75050	220	T81051	173	T84107	146
T75055	220	T81060	173	T84110	272

<b>Part No</b>	<b>Page</b>	<b>Part No</b>	<b>Page</b>
T84115.....	272	T84283.....	280
T84116.....	271	T84284.....	280
T84117.....	271	T84300.....	256
T84118.....	271	T84310.....	256
T84120.....	271	T84500.....	136
T84121.....	271	T84501.....	136
T84130.....	272	T84505.....	136
T84160.....	272	T84506.....	136
T84165.....	272	T84510.....	136
T84180.....	278	T84511.....	136
T84185.....	276	T84515.....	278
T84186.....	276	T84515.....	136
T84205.....	277	T84516.....	278
T84215.....	277	T84516.....	136
T84220.....	275	T85000.....	282
T84225.....	275	T85005.....	282
T84230.....	276	T85010.....	282
T84249.....	279	T85015.....	282
T84249.....	290	T85017.....	282
T84250.....	279	T85018.....	282
T84250.....	290	T85019.....	282
T84251.....	279	T85020.....	282
T84251.....	290	T85025.....	282
T84252.....	279	T85030.....	282
T84252.....	290	T85070.....	286
T84253.....	279	T85075.....	286
T84253.....	290	T85080.....	286
T84260.....	279	T85085.....	286
T84261.....	280	T85110.....	285
T84262.....	280	T85115.....	285
T84263.....	280	T85116.....	285
T84264.....	280	T85117.....	285
T84265.....	280	T85118.....	285
T84266.....	280	T85120.....	284
T84267.....	280	T85121.....	284
T84268.....	280	T85130.....	284
T84269.....	280	T85160.....	284
T84270.....	280	T85165.....	284
T84271.....	280	T85180.....	285
T84272.....	280	T85185.....	288
T84273.....	280	T85186.....	288
T84274.....	280	T85205.....	289
T84275.....	280	T85215.....	289
T84276.....	280	T85217.....	289
T84277.....	280	T85220.....	287
T84278.....	280	T85225.....	287
T84279.....	280	T85260.....	290
T84280.....	280	T85500.....	267
T84281.....	280		
T84282.....	280		

# Index by Name

<b>Name</b>	<b>Page</b>	<b>Name</b>	<b>Page</b>
<b>A</b>		<b>F</b>	
Aluminium Barrel .....	148	Facility Panels .....	259
Atom Clamps .....	27	Finial Coupler .....	49
<b>B</b>		Flag Frames .....	219
Baby Arms .....	210	Flat Clamp .....	217
Baby Quick Trigger Clamps.....	37	Floor Plates .....	137
Baby Wall Plates .....	139	Flying Irons .....	130
Barrel .....	148	Followspot Rail Mount .....	142
Barrel Receiver .....	139	Followspot Stands .....	248
Barrel Socket Clamps.....	47	Front Loading Stands .....	247
Barrel Strainers.....	97	<b>G</b>	
Barrel Trolleys.....	291	G' Clamps .....	218
Beam Clamp .....	84	Gaffer Clamp .....	217
Boom Arms .....	53	Galvanised Tube.....	150
Bow Shackles .....	110	Girder Clamps .....	79
Brace Weight .....	134	Gobo Arms.....	208
Braced Boom Arm .....	54	Gravlock Coupler.....	80
<b>C</b>		Grid Hanger .....	74
C Stands .....	241	Grip Equipment.....	206
Cable Grips.....	99	Grip Heads .....	207
Cable Holders.....	102	Grip Helper .....	213
Castor Kits .....	226	<b>H</b>	
Ceiling Saddle .....	147	'H' Frames .....	67
Claw Clamp .....	48	Hanging Clamp.....	76
Cleats .....	122	Hanging Irons .....	131
Clews .....	122	Heavy Duty Pulleys .....	118
Club Stands .....	234	Hinges .....	126
Coach Eye .....	133	Hook Clamps .....	88
Combo Stands.....	237	Hooks and Eyes .....	97
<b>D</b>		<b>I</b>	
Double Ended Hook Clamps .....	95	IWBs .....	262
Double Risers .....	213	<b>J</b>	
Doughty Clamps .....	7	Junior Arms.....	210
Doughty Rail .....	172	Junior Wall Plates .....	139
Drop Arms.....	214	<b>K</b>	
<b>E</b>		Karabiners .....	
EasyDeck .....	194	101	
Easylift .....	243		
Eye Nuts .....	98		



Name	Page	Name	Page
<b>L</b>		<b>Q</b>	
Laser Engraving .....	6	Quick Links .....	100
Lecterns .....	266	Quick Trigger Clamps .....	39
Lever Rope brake .....	125	<b>R</b>	
Lifting Chain .....	101	Reutlinger .....	102
Lighting Hoists .....	294	Roller Stands .....	239
Lightweight Clamps .....	20	Rope .....	123
Lightweight Drop Arm .....	214	Rope Brake .....	134
Lightweight Pantographs .....	292	<b>S</b>	
Lindapter Flange Clamp .....	81	Saddle Clamp .....	75
Locking Elbow .....	48	Safety Bonds .....	112
Low Lifts .....	212	Sand Bags .....	219
Low profile Clamps .....	13	Scaffold Clamps .....	152
<b>M</b>		Scenery Fixings .....	126
Mammoth Clamps .....	30	Scissor Clamps .....	83
Marquee Clamp .....	85	Side Entry Clamps .....	46
Modular Rigging System .....	62	Six Track .....	176
<b>N</b>		Slimline Doughty Clamps .....	17
Nebula Stands .....	242	Slimline Lightweight Clamps .....	23
Nipper Stand .....	140	Slimline Quick Trigger Clamps .....	41
<b>O</b>		Slotted Wall Brackets .....	146
Operator Poles .....	279	Snap In Spigots .....	203
Overhead Stands .....	240	Solid Truss Adaptors .....	59
<b>P</b>		Solid Tube Joiners .....	153
Panel Clamp .....	47	Speaker Adaptors .....	230
Pantographs .....	293	Speciality Couplers .....	45
Pegasus Stands .....	246	Speed Rail .....	154
Pink Eye .....	98	Spigots .....	250
Pipe Clamps .....	162	Stabiliser Coupler .....	50
Pipe to Pipe Coupler .....	51	Stage Braces .....	135
Pipe to Wall Brackets .....	145	Stage Screws .....	133
Pivot Arms .....	202	Stainless Clamp .....	15
Pivot Hinge .....	49	Stand Accessories .....	226
Pivot Plug .....	49	Standard Pulleys .....	114
Pole-Op Cradles .....	221	Stands .....	233
Poly Holders .....	209	Steel Boom Arms .....	77
Professional Followspot Stand .....	249	Strata Stands .....	244
Projector Cradles .....	220	Stud Hanger .....	76
Pulleys - Standard .....	114	Studio Rail 60 .....	268
Pulleys - Heavy Duty .....	118	Studio Rail 80 .....	281
		Studio Stands .....	235
		Supa Clamps .....	201
		Super Lightweight Clamps .....	25
		Suspension Clamps .....	72
		Swivel Arms .....	136

Name	Page
<b>T</b>	
Tank Traps .....	137
Tee Bars .....	232
Thimbles .....	99
Titan Quick Trigger Clamps .....	43
Tough Boxes .....	261
Transporter Trolleys .....	224
Trigger Clamps .....	35
Truss Adaptors .....	55
TV Brackets .....	222
Twenty Clamp .....	4
<b>U</b>	
U Bolts .....	78
Universal Clamp .....	75
Universal Hanger .....	213
Universal Joint .....	73
<b>W</b>	
Wall Brackets .....	144
Wall Plates .....	137
Wind Up Stands .....	244
Wire Rope .....	123
Worm Gear Winch .....	124
<b>Z</b>	
Zenith Stands .....	245

Note: Whilst every effort has been made to ensure that the information contained within this catalogue is correct, Doughty Engineering does not accept any liability for errors or omissions. Specifications and technical data are intended for guidance purposes only and may vary.

The buyer shall indemnify the seller against all claims in respect of any loss, injury, or damage sustained by a third party arising from the sale of the goods to the buyer howsoever caused and also against all actions, proceedings, costs, claims, demands and expenses brought or claimed against the seller in respect of the infringement of any patent, trademark, registered design or similar right arising from the manufacture or supply of any goods or the doing of any work or the use of any article or material by the seller to the design or specification or upon the instructions or order of the buyer.

**Doughty Engineering Ltd**

Crow Arch Lane  
Ringwood  
Hampshire BH24 1NZ  
United Kingdom

Tel: +44 1425 478961

Fax: +44 1425 474481

Email: [sales@doughty-engineering.co.uk](mailto:sales@doughty-engineering.co.uk)

[www.doughty-engineering.co.uk](http://www.doughty-engineering.co.uk)