

Loudspeaker Accessories

BERLIN TBV123-RC2

Road Case for 2 TBV123 Loudspeakers

- Road case for 2 TBV123 loudspeakers
- Plywood construction with impact resistant aluminium extruded edges
- High density foam internal construction protects loudspeakers in transit
- Plated steel handles and locking butterfly catches
- Lockable plated steel castors with rubber tyres
- 1-Year Warranty Program*
- Designed and engineered in the U.K.



The TBV123-RC2 road case for up to 2 TBV123 line array elements is designed to withstand the rigours of live concert touring. It is constructed from 12 mm rigid plywood with 40 x 40 mm durable aluminium edging extrusions. High density foam provides internal support and superior protection in transit, night after night, city after city.



The TBV123-RC2 features premium plated steel hardware: lockable castors with rubber tyres, durable handles and locking butterfly catches for a long working life.

You Are Covered

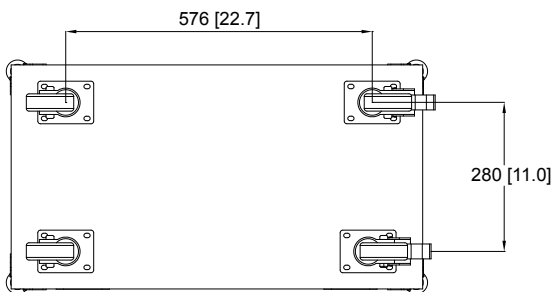
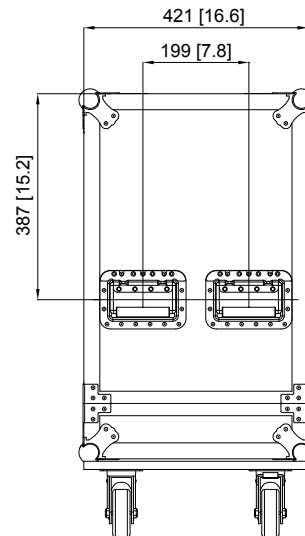
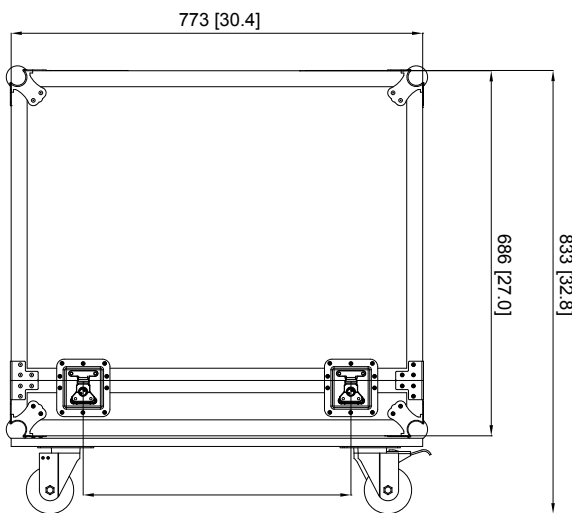
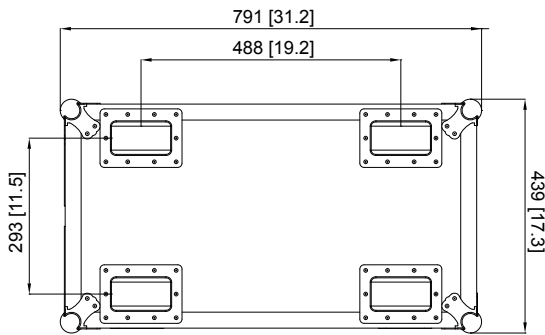
We always strive to provide the best possible Customer Experience. Our products are made in our own MUSIC Group factory using state-of-the-art automation, enhanced production workflows and quality assurance labs with the most sophisticated test equipment available in the world. As a result, we have one of the lowest product failure rates in the industry, and we confidently back it up with a generous 1-Year Warranty program.



BERLIN TBV123-RC2

Road Case for 2 TBV123 Loudspeakers

Dimensions



BERLIN TBV123-RC2

Road Case for 2 TBV123 Loudspeakers



BERLIN

TBV123-RC2

Road Case for 2 TBV123 Loudspeakers



BERLIN TBV123-RC2

Road Case for 2 TBV123 Loudspeakers



For service, support or more information contact the TURBOSOUND location nearest you:

Europe
MUSIC Group Services UK
Tel: +44 156 273 2290
Email: CARE@music-group.com

USA/Canada
MUSIC Group Services NV Inc.
Tel: +1 702 800 8290
Email: CARE@music-group.com

Japan
MUSIC Group Services JP K.K.
Tel: +81 3 6231 0454
Email: CARE@music-group.com

MUSIC Group accepts no liability for any loss which may be suffered by any person who relies either wholly or in part upon any description, photograph, or statement contained herein. Technical specifications, appearances and other information are subject to change without notice. All trademarks are the property of their respective owners. MIDAS, KLARK TEKNIK, LAB GRUPPEN, LAKE, TANNOY, TURBOSOUND, TC ELECTRONIC, TC HELICON, BEHRINGER, BUGERA and DDA are trademarks or registered trademarks of MUSIC Group IP Ltd.
© MUSIC Group IP Ltd. 2017 All rights reserved.