

SAFE
PRECISE
CERTIFIED

EX3

TECHNOLOGY

CHAIN HOIST



CHAIN HOIST
VARIABLE SPEED



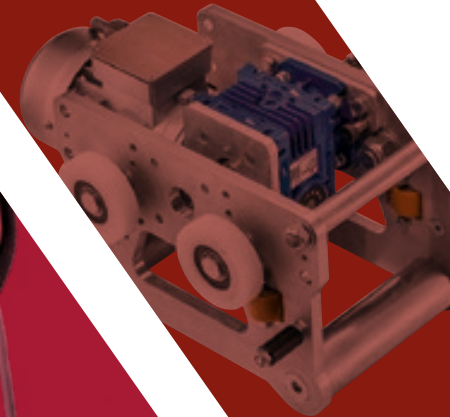
CONTROLLERS



LOAD CELL



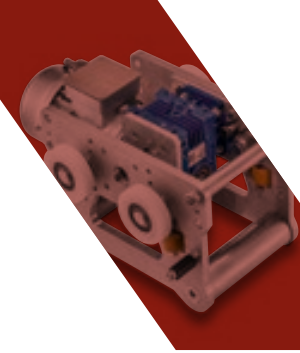
DYNAMIC STACKTRACK



2018 EDITION



The brand name **EXE** identifies a range of products designed for the entertainment & exhibition markets, offering a range of equipment engineered to safely manoeuvre stage equipment, scenery, video walls & other related structures... before, during and after your performance.



EX3 RISE

01

CHAIN HOISTS FIXED SPEED

D8 250kg/551 lbs DC	8
D8 250kg/551 lbs LVC	9
D8 500kg/1102lbs DC	10
D8 500kg/1102lbs LVC.....	11
D8 1000kg/2205lbs DC	12
D8 1000kg/2205lbs LVC.....	13
D8 2000kg/4409lbs DC	14
D8 2000kg/4409lbs LVC.....	15
D8+ 150kg/331lbs DC	16
D8+ 150kg/331lbs LVC	17
D8+ 300kg/661lbs DC.....	18
D8+ 300kg/661lbs LVC	19
D8+ 600kg/1323lbs DC.....	20
D8+ 600kg/1323lbs LVC	21
D8+ 800kg/1764lbs DC	22
D8+ 800kg/1764lbs LVC	23
D8+ 1200kg/2646lbs DC	24
D8+ 1200kg/2646lbs LVC.....	25
SINGLE PHASE 250kg	26

EX3 VARIO

02

CHAIN HOIST VARIABLE SPEED

500kg/1102 lbs	29
1000kg/2205 lbs.....	29

ACCESSORIES

CHAIN BAG	30
RAIN COVER	30
FLIGHT CASE	31
SELF LOCKING SWIVEL HOOKS	32
CHAIN SLIDER.....	32

EX3 DRIVE

03

CONTROLLERS

DH1	36
DH2	37
XDDB4	38
XDDB4-LV	39
XDDB8	40
XDDL4	42
XDDL4-LV	43
XDDL8	44
XDDL8-LV	45
XDDL16	46
XDDL16-LV	47
XDDL24	48
XDDL24-LV	49
XDRHG.....	50
XDRHGR	51
XDRH4C.....	52
XDRH8C	53
XDRH16C	54
XDRH24C	55
XDSP2-LV.....	56

EX3 CELL

04

LOAD CELL INTERFACE

LC-PRO	60
LC-CB16	62
LC-NLP	64
LC-NLP16	66

EX3 DST

05

DYNAMIC STACK TRACKS

DST 52	70
STANDARD TRUSSES.....	71
MODULES.....	72
CONFIGURATION 1	74
CONFIGURATION 2.....	75
CONFIGURATION 3.....	76
CONFIGURATION 4.....	77



EXE
RISE

EXE RISE CHAIN HOISTS

SAFE, PRECISE,
+ MADE IN ITALY

Every single component of the EXE-Rise hoist body is manufactured in Italy. The high grade Lifting chain is coming from Germany and complies with the strictest EN and DIN standards relating to lifting in the ntertainment industry.

The EXE-Rise clutch system is located outside the load path. The DC brakes give a real instant response to electrical impulses thanks to a unique component specifically created for us.

The 5-pocket load wheel, helical gears with dynamic lubrication and the precise chain guide make the EXE-Rise series one of the quietest on the market.

Available in Direct control and Low Voltage control versions, the EXE-Rise complies with EN 14492-2 and German BGV-D8 regulations and IGWV SQP2 code of practice.



01

FIXED SPEED

DIRECT CONTROL

△ D8 (SF 8:1)

D8 250kg/551lbs DC



D8 500kg/1102lbs DC



D8 1000kg/2205lbs DC



D8 2000kg/4409lbs DC



□ D8+ (SF 10:1)

D8+ 150kg/331lbs DC



D8+ 300kg/661lbs DC



D8+ 600kg/1323lbs DC



D8+ 800kg/1764lbs DC



D8+ 1200kg/2646lbs DC



LOW VOLTAGE CONTROL

△ D8 (SF 8:1)

D8 250kg/551lbs LVC



D8 500kg/1102lbs LVC



D8 1000kg/2205lbs LVC



D8 2000kg/4409lbs LVC



□ D8+ (SF 10:1)

D8+ 150kg/331lbs LVC



D8+ 300kg/661lbs LVC



D8+ 600kg/1323lbs LVC



D8+ 800kg/1764lbs LVC



D8+ 1200kg/2646lbs LVC




SINGLE PHASE

SINGLE PHASE 250Kg




**EXE RISE
OVERVIEW**


FEATURES




SELF CLIMBING OR STANDARD SUSPENSION without any adjustments required. Swivel hooks on the chain and body reduces the risk of chain twist and allows easy positioning.



The **BODY** is made in cast aluminium to be as light, yet as strong as possible. The matt black finish is corrosion resistant and non reflective.



The **CHAIN-BAG BRACKET** allows the hoist to be used motor up or down. The design ensures the bag is positioned correctly to accept chain without the need for any adjustment, reducing the chance of chain spills.



EXTERNAL CHAIN GUIDE made from a special PVC is used to minimise the chance of chain jamming should the chain become twisted. This sacrificial plate helps protect both the chain and internal chain guides. (Small body hoists use steel guide plate).



DOUBLE BRAKE. EXE-Rise are supplied with double brake as standard. The brakes are supplied as complete units which allows for trouble free use and quick and easy inspection.

The DC (105 Volts) brakes lock off, in 0.1 of a second and is able to sustain up to 4000 lock/unlock cycles in an hour. This "progressive time lock off" action is less wearing to their inner components than a AC (220 Volts) one.



IRON AND ASBESTOS FREE BRAKE shoes and stainless steel brake discs will not rust in the presence of moisture, preventing brake assemblies from seizing.



CLUTCH OUTSIDE THE LOAD PATH positioned on the motor shaft in front of the motor assembly. With this arrangement, the brakes will hold the load in the unlikely event of a clutch failure.

* available for models **D8 500kg, D8 1000kg, D8 2000kg, D8+ 250kg, D8+ 500kg, D8+ 800kg, D8+ 1000kg.**



GEAR BOX is manufactured with a thicker aluminum wall, comparing to the rest of the body, to respond to the very stringent mechanical requirements.



BEARING GREASE is high load molybdenum disulphide plain. It has been designed for the effective lubrication and protection of plain bearings and sliding surfaces used in extreme environments, particularly in heavily loaded, slow moving applications.



THE CHAIN STOP consists of two metal blocks and is fixed to the end of the load chain, in the default condition at 11 links from the end. The chain stop prevents the chain from being run through the hoist should its length be overrun.



QUICK LINK carabiners connect the chain bag and chain end to the bracket. They were designed according to BGV specification with a 10:1 safety factor. They are compact and galvanized. In compliance with the DIN standard they bear a stamp of the load capacity.



VERY LOW OPERATIONAL NOISE, with just 67.5 dBA the EXE is about 30% more silent than other leading brand. Now you can do take the quiet jobs.



HERTZ/VOLT. EXE-Rise chain hoist technical data have been calculated considering European power and control supply 230/400VAC - 3 - 50Hz. On request it is possible to have technical data at the different power and control supply and at the different frequency values.



EXE-Rise hoists are **CE MARKED** in accordance with the requirements of the **MACHINERY DIRECTIVE 2006/42/EC.**

EXE
RISE

250 kg
Δ D8 DOUBLE BRAKE

DIRECT CONTROL

Δ D8 250kg . DC Chain Hoist

Model	D8
Working Load Limit (WLL)	250kg/551lbs
Lifting Speed	4m/min / 13ft/min @ 50Hz
Motor Power	0.5 kW
Operating Voltage Δ/Y	230/400VAC - 3 @ 50Hz
3 ph Δ 230 VAC - Y 400 VAC	Δ 2.70A - Y 1.56A
Type of Control	Direct Control
Revolutions Per Minute	1400
Falls of Chain	1
Load Wheel	5 pockets
Protection Classification	IP55
FEM Classification	2m
Duty Factor of Motor	40%
Starts Per Hour	240
Connection Cable Length	1m/3.3ft
Δ Power Supply Connector (*)	CEE 16A 9h 230VAC - 3PH + G black plug
Y Power Supply Connector	CEE 16A 6h 400VAC - 3PH + G black plug
Control Supply Connector	Not Provided
Noise Level	67.5 db @ full load
DC Brake System	2
DC Brake Size	06
DC Brake Power	20W
DC Brake Operating Voltage	103VDC
DC Brake Rated Torque	4N-m/2.95ft-lbs
DC Brake Rated Torque Reduction at the speed specification x %	87% (1500 r/min)
Clutch Characteristics	Clutch is a friction based force-limiter. Clutch is outside the line of kinetic movement.
Limit Switch	Not Provided
Self-Weight	≈ 19.0kg / 42lbs

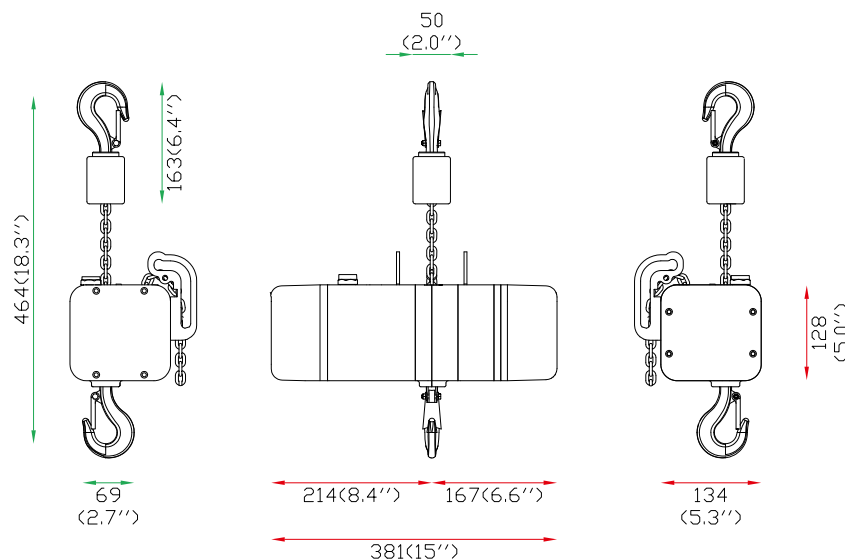
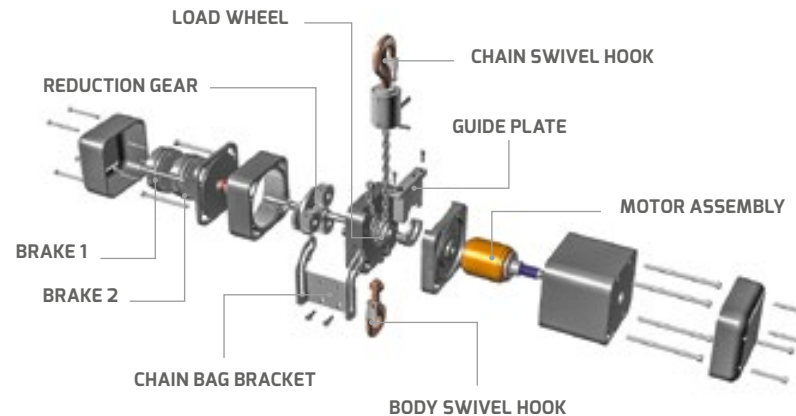
(*) Δ 230VAC: Only on request, please contact EXE-Technology for more detailed information.



For US/CAN markets the chain hoist configuration available is 208VAC - 3 @ 60Hz. Custom configuration is also possible, please refer to your local EXE-Technology representative for all information.

CHAIN SPECIFICATIONS

Size	4x12mm
Safety Factor	8:1
Self-Weight	0.35kg/m / 0.24lbs/ft
Material	Zinc Galvanized Steel grade 80 (DIN EN 818-7)



mm (inches): the values are reported in millimeters and inches.

08

EXE
RISE

EXE
RISE

250 kg

△ D8 DOUBLE BRAKE

LOW VOLTAGE CONTROL

△ D8 250kg . LVC Chain Hoist

Model	D8
Working Load Limit (WLL)	250kg/551lbs
Lifting Speed	4m/min / 13ft/min @50Hz
Motor Power	0.5kW
Operating Voltage Δ/Y	230/400VAC - 3 - 50Hz
3 ph Δ 230VAC - Y 400VAC	Δ 2.70A - Y 1.56A
Type of Control	Low Voltage Control
Revolutions Per Minute	1400
Falls of Chain	1
Load Wheel	5 pockets
Protection Class	IP55
FEM Classification	2m
Duty Factor of Motor	40%
Starts Per Hour	240
Connection Cable Length	1m / 3.3ft
Δ Power Supply Connector (*)	CEE 16A 9h 230VAC - 3PH + G black plug
Y Power Supply Connector	CEE 16A 6h 400VAC - 3PH + G black plug
Control Supply Connector	CEE 16A 4h 24VAC - 3PH + G black socket
Noise Level	67.5 db @ full load
DC Brake System	2
DC Brake Size	06
DC Brake Power	20W
DC Brake Operating Voltage	103VDC
DC Brake Rated Torque	4N·m / 2.95ft·lbs
DC Brake Rated Torque Reduction at the speed specification x %	87% (1500 r/min)
Clutch Characteristics	Clutch is a friction based force-limiter. Clutch is outside the line of kinetic movement.
Limit Switch	Not Provided
Self-Weight	≈ 19.0kg / 42lbs

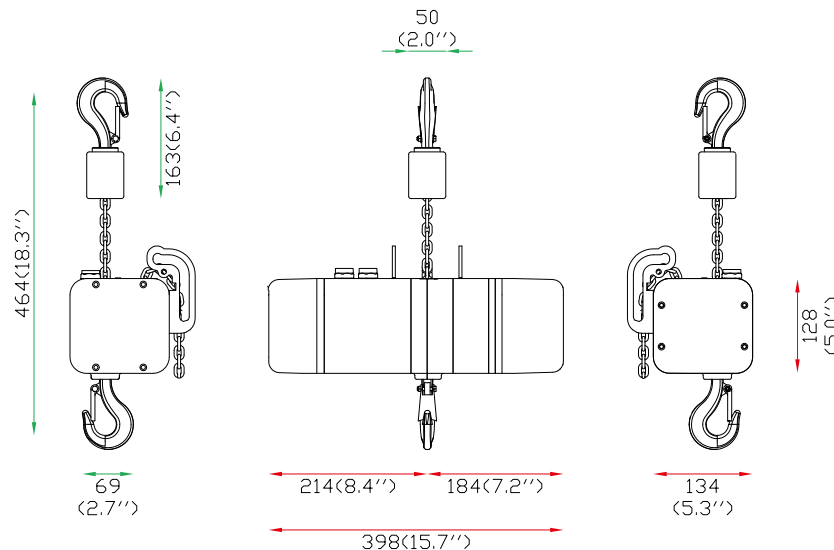
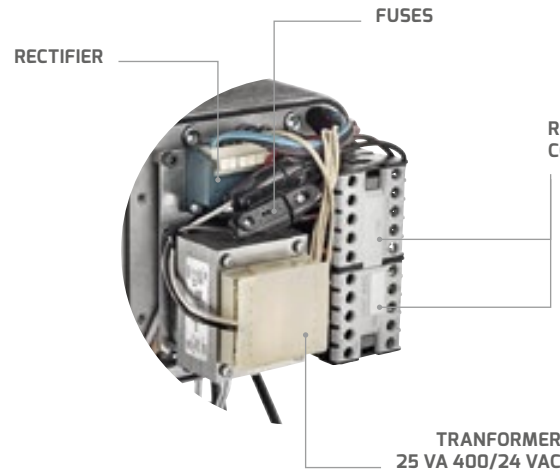
(*) Δ 230VAC: Only on request, please contact EXE-Technology for more detailed information.



For US/CAN markets the chain hoist configuration available is 208VAC - 3 @ 60Hz. Custom configuration are also possible, please refer to your local EXE-Technology representative for all information.

CHAIN SPECIFICATIONS

Size	4x12mm
Safety Factor	8:1
Self-Weight	0.35kg/m / 0.24lbs/ft
Material	Zinc Galvanized Steel grade 80 (DIN EN 818-7)



mm (inches): the values are reported in millimeters and inches.

EXE
RISE

500 kg
Δ D8 DOUBLE BRAKE

DIRECT CONTROL

△ D8 500kg . DC Chain Hoist

Model	D8
Working Load Limit (WLL)	500kg/1102lbs
Lifting Speed	4m/min / 13ft/min @50Hz
Motor Power	0.8kW
Operating Voltage Δ/Y	230/400VAC - 3 - 50Hz
3 ph Δ 230VAC - Y 400VAC	Δ 3.93 A - Y 2.27 A
Type of Control	Direct Control
Revolutions Per Minute	1400
Falls of Chain	1
Load Wheel	5 pockets
Protection Class	IP55
FEM Classification	2m
Duty Factor of Motor	40%
Starts Per Hour	240
Connection Cable Length	1m / 3.3ft
Δ Power Supply Connector (*)	CEE 16A 9h 230VAC - 3PH + G black plug
Y Power Supply Connector	CEE 16A 6h 400VAC - 3PH + G black plug
Control Supply Connector	Not Provided
Noise Level	67.5 db @ full load
DC Brake System	2
DC Brake Size	06
DC Brake Power	20W
DC Brake Operating Voltage	103VDC
DC Brake Rated Torque	8N·m / 5.90 ft·lbs
DC Brake Rated Torque Reduction at the speed specification x %	87% (1500 r/min)
Clutch Characteristics	Clutch is a friction based force-limiter. Clutch is outside the line of kinetic movement.
Limit Switch	Not Provided
Self-Weight	≈ 36.0kg / 79lbs

(*) Δ 230VAC: Only on request, please contact EXE-Technology for more detailed information.



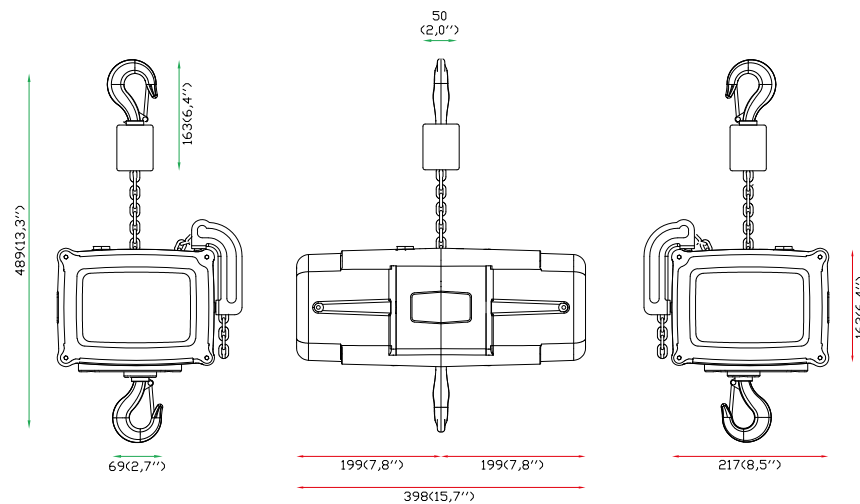
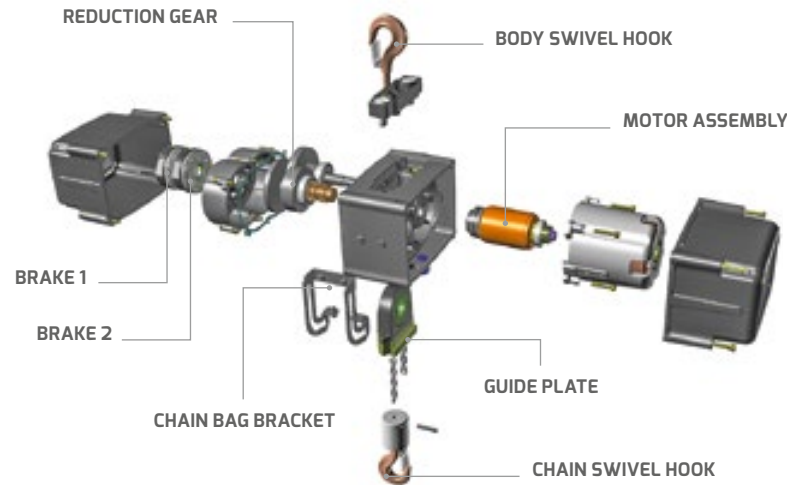
For US/CAN markets the chain hoist configuration available is 208VAC - 3 @ 60Hz. Custom configuration are also possible, please refer to your local EXE-Technology representative for all information.

CHAIN SPECIFICATIONS

Size	6x18mm
Safety Factor	8:1
Self-Weight	0.78kg/m / 0.52lbs/ft
Material	Zinc Galvanized Steel grade 80 (DIN EN 818-7)

10

EXE
RISE



mm (inches): the values are reported in millimeters and inches.

EXE
RISE

500 kg

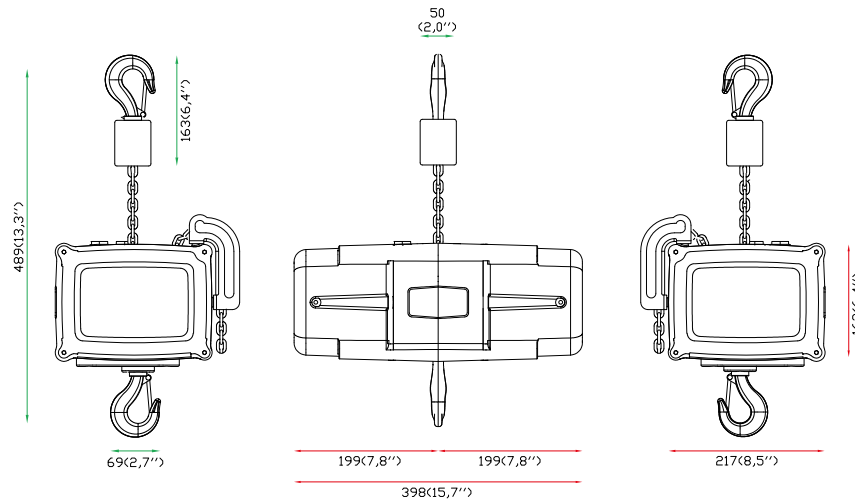
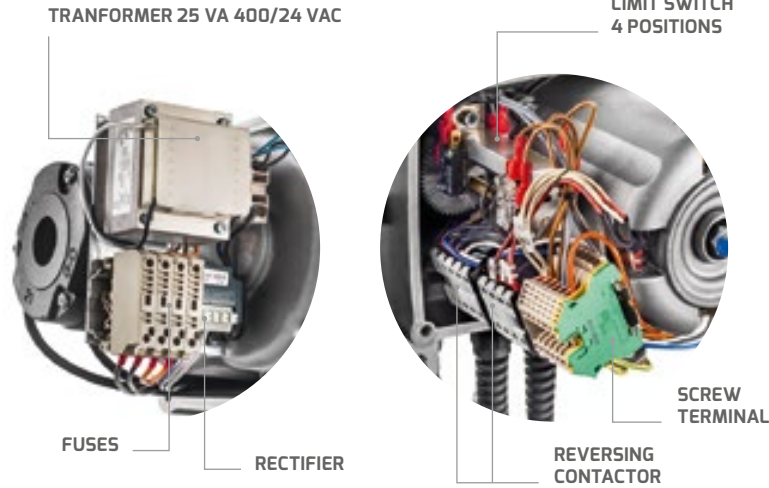
△ D8 DOUBLE BRAKE

LOW VOLTAGE CONTROL



Brake side

Motor side



mm (inches): the values are reported in millimeters and inches.

△ D8 500kg . LVC Chain Hoist

Model	D8
Working Load Limit (WLL)	500kg/1102lbs
Lifting Speed	4m/min / 13ft/min @50Hz
Motor Power	0.8kW
Operating Voltage Δ/Y	230/400VAC - 3 - 50Hz
3 ph Δ 230VAC - Y 400VAC	Δ 3.93 A - Y 2.27 A
Type of Control	Low Voltage Control
Revolutions Per Minute	1400
Falls of Chain	1
Load Wheel	5 pockets
Protection Class	IP55
FEM Classification	2m
Duty Factor of Motor	40%
Starts Per Hour	240
Connection Cable Length	1m /3.3ft
Δ Power Supply Connector (*)	CEE 16A 9h 230VAC - 3PH + G black plug
Y Power Supply Connector	CEE 16A 6h 400VAC - 3PH + G black plug
Control Supply Connector	CEE 16A 4h 24VAC - 3PH + G black socket
Noise Level	67.5 db @ full load
DC Brake System	2
DC Brake Size	06
DC Brake Power	20W
DC Brake Operating Voltage	103VDC
DC Brake Rated Torque	8Nm / 5.90ft-lbs
DC Brake Rated Torque Reduction at the speed specification x %	87% (1500 r/min)
Clutch Characteristics	Clutch is a friction based force-limiter. Clutch is outside the line of kinetic movement.
Limit Switch	4 position
Self-Weight	≈ 36.0kg / 79lbs

(*) Δ 230VAC: Only on request, please contact EXE-Technology for more detailed information.



For US/CAN markets the chain hoist configuration available is 208VAC - 3 @ 60Hz. Custom configuration are also possible, please refer to your local EXE-Technology representative for all information.

CHAIN SPECIFICATIONS

Size	6x18mm
Safety Factor	8:1
Self-Weight	0.78kg/m /0.52lbs/ft
Material	Zinc Galvanized Steel grade 80 (DIN EN 818-7)

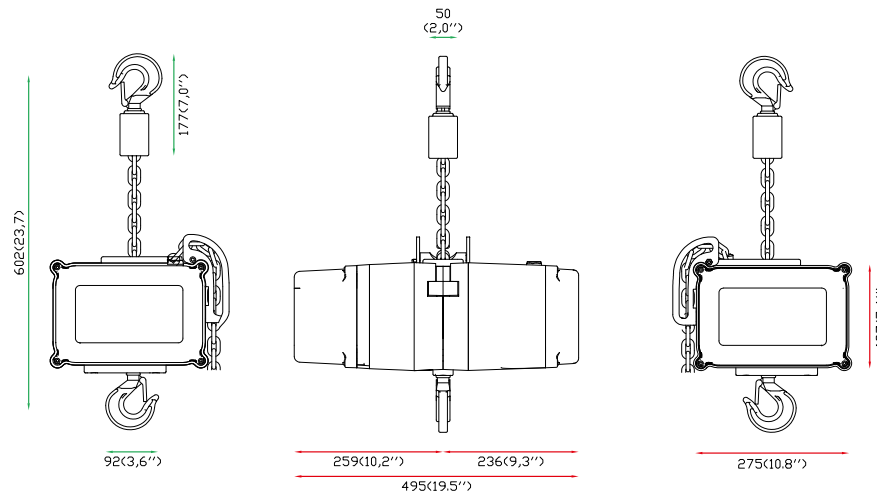
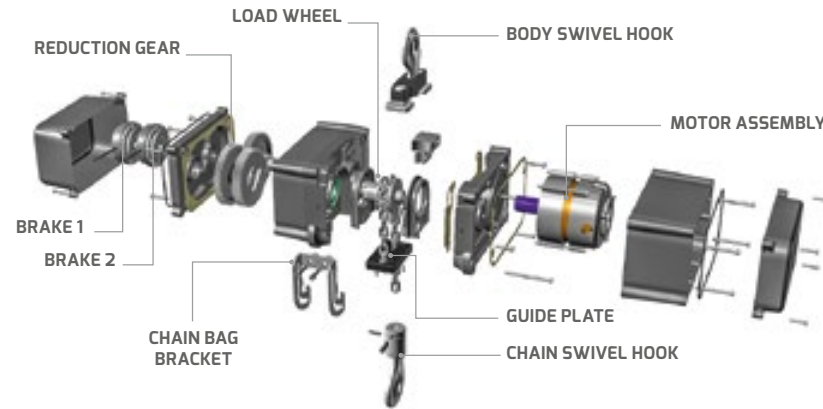
EXE
RISE

1000 kg
△ D8 DOUBLE BRAKE

DIRECT CONTROL

12

EXE
RISE



mm (inches): the values are reported in millimeters and inches.

△ D8 1000kg . DC Chain Hoist

Model	D8
Working Load Limit (WLL)	1000kg/2205lbs
Lifting Speed	4m/min / 13ft/min @50Hz
Motor Power	1.0kW
Operating Voltage Δ/Y	230/400VAC - 3 - 50Hz
3 ph Δ 230VAC - Y 400VAC	Δ 4.62 A - Y 2.67 A
Type of Control	Direct Control
Revolutions Per Minute	1400
Falls of Chain	1
Load Wheel	5 pockets
Protection Class	IP55
FEM Classification	2m
Duty Factor of Motor	40%
Starts Per Hour	240
Connection Cable Length	1m / 3.3ft
Δ Power Supply Connector (*)	CEE 16A 9h 230VAC - 3PH + G black plug
Y Power Supply Connector	CEE 16A 6h 400VAC - 3PH + G black plug
Control Supply Connector	Not Provided
Noise Level	67.5 db @ full load
DC Brake System	2
DC Brake Size	08
DC Brake Power	25W
DC Brake Operating Voltage	103VDC
DC Brake Rated Torque	8N·m / 5.90ft·lbs
DC Brake Rated Torque Reduction at the speed specification x %	85% (1500 r/min)
Clutch Characteristics	Clutch is a friction based force-limiter. Clutch is outside the line of kinetic movement.
Limit Switch	Not Provided
Self-Weight	≈ 45.0kg / 99lbs

(*) Δ 230VAC: Only on request, please contact EXE-Technology for more detailed information.



For US/CAN markets the chain hoist configuration available is 208VAC - 3 @ 60Hz. Custom configuration are also possible, please refer to your local EXE-Technology representative for all information.

CHAIN SPECIFICATIONS

Size	8x24mm
Safety Factor	8:1
Self-Weight	1.39kg/m / 0.93lbs/ft
Material	Zinc Galvanized Steel grade 80 (DIN EN 818-7)

EXE
RISE

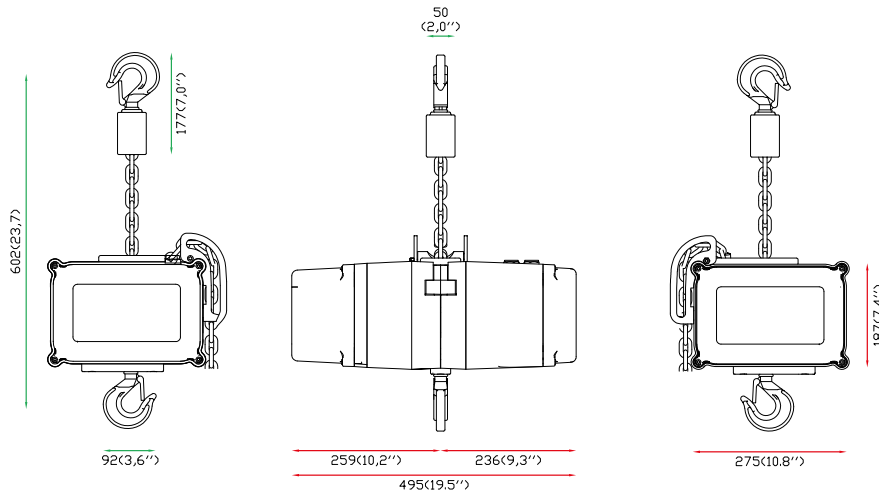
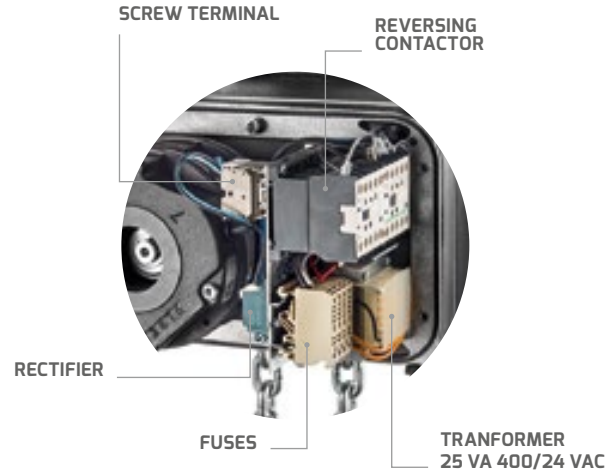
1000 kg

△ D8 DOUBLE BRAKE

LOW VOLTAGE CONTROL



Brake side



mm (inches): the values are reported in millimeters and inches.

△ D8 1000kg . LVC Chain Hoist

Model	D8
Working Load Limit (WLL)	1000kg/2205lbs
Lifting Speed	4m/min / 13ft/min @50Hz
Motor Power	1.0kW
Operating Voltage Δ/Y	230/400VAC - 3 - 50Hz
3 ph Δ 230VAC - Y 400VAC	Δ 4.62 A - Y 2.67 A
Type of Control	Low Voltage Control
Revolutions Per Minute	1400
Falls of Chain	1
Load Wheel	5 pockets
Protection Class	IP55
FEM Classification	2m
Duty Factor of Motor	40%
Starts Per Hour	240
Connection Cable Length	1m /3.3ft
Δ Power Supply Connector (*)	CEE 16A 9h 230VAC - 3PH + G black plug
Y Power Supply Connector	CEE 16A 6h 400VAC - 3PH + G black plug
Control Supply Connector	CEE 16A 4h 24VAC - 3PH + G black socket
Noise Level	67.5 db @ full load
DC Brake System	2
DC Brake Size	08
DC Brake Power	25W
DC Brake Operating Voltage	103VDC
DC Brake Rated Torque	8N·m / 5.90 ft·lbs
DC Brake Rated Torque Reduction at the speed specification x %	85% (1500 r/min)
Clutch Characteristics	Clutch is a friction based force-limiter. Clutch is outside the line of kinetic movement.
Limit Switch	4 position
Self-Weight	≈ 45.0kg / 99lbs

(*) Δ 230VAC: Only on request, please contact EXE-Technology for more detailed information.



For US/CAN markets the chain hoist configuration available is 208VAC - 3 @ 60Hz. Custom configuration are also possible, please refer to your local EXE-Technology representative for all information.

CHAIN SPECIFICATIONS

Size	8x24mm
Safety Factor	8:1
Self-Weight	1.39kg/m / 0.93lbs/ft
Material	Zinc Galvanized Steel grade 80 (DIN EN 818-7)

EXE
RISE

2000 kg
△ D8 DOUBLE BRAKE

DIRECT CONTROL

△ D8 2000kg . DC Chain Hoist

Model	D8
Working Load Limit (WLL)	2000kg/4409lbs
Lifting Speed	4m/min / 13ft/min @50Hz
Motor Power	1.6kW
Operating Voltage Δ/Y	230/400VAC - 3 - 50Hz
3 ph Δ 230VAC - Y 400VAC	Δ 8.37 A - Y 4.83 A
Type of Control	Direct Control
Revolutions Per Minute	1400
Falls of Chain	2
Load Wheel	5 pockets
Protection Class	IP55
FEM Classification	2m
Duty Factor of Motor	40%
Starts Per Hour	240
Connection Cable Length	1m / 3.3ft
Δ Power Supply Connector (*)	CEE 16A 9h 230VAC - 3PH + G black plug
Y Power Supply Connector	CEE 16A 6h 400VAC - 3PH + G black plug
Control Supply Connector	Not Provided
Noise Level	67.5 db @ full load
DC Brake System	2
DC Brake Size	10
DC Brake Power	30W
DC Brake Operating Voltage	103VDC
DC Brake Rated Torque	16Nm / 11.80 ft-lbs
DC Brake Rated Torque Reduction at the speed specification x %	83% (1500 r/min)
Clutch Characteristics	Clutch is a friction based force-limiter. Clutch is outside the line of kinetic movement.
Limit Switch	Not Provided
Self-Weight	≈ 47.0kg / 104lbs

(*) Δ 230VAC: Only on request, please contact EXE-Technology for more detailed information.



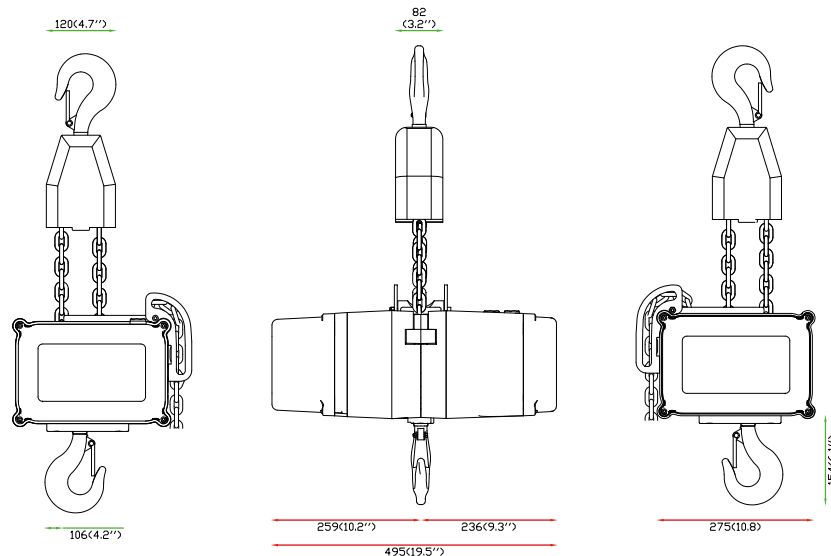
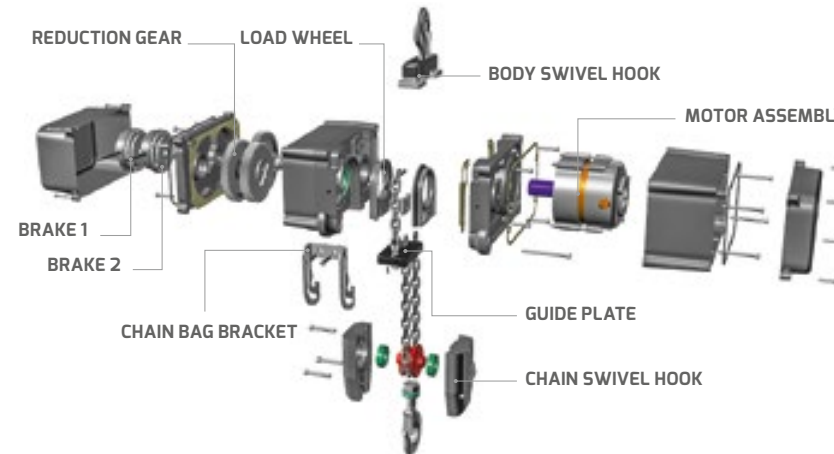
For US/CAN markets the chain hoist configuration available is 208VAC - 3 @ 60Hz. Custom configuration are also possible, please refer to your local EXE-Technology representative for all information.

CHAIN SPECIFICATIONS

Size	8x24mm
Safety Factor	8:1
Self-Weight	1.39kg/m / 0.93lbs/ft
Material	Zinc Galvanized Steel grade 80 (DIN EN 818-7)

14

EXE
RISE



mm (inches): the values are reported in millimeters and inches.

EXE
RISE

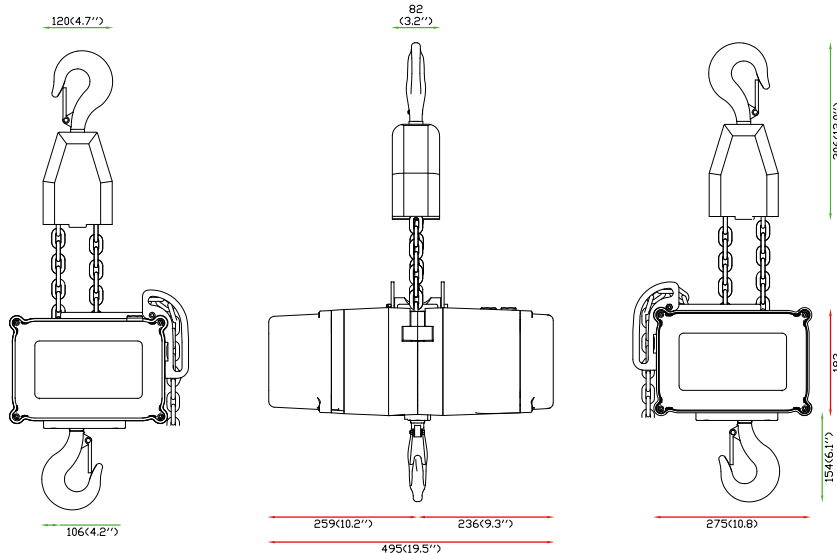
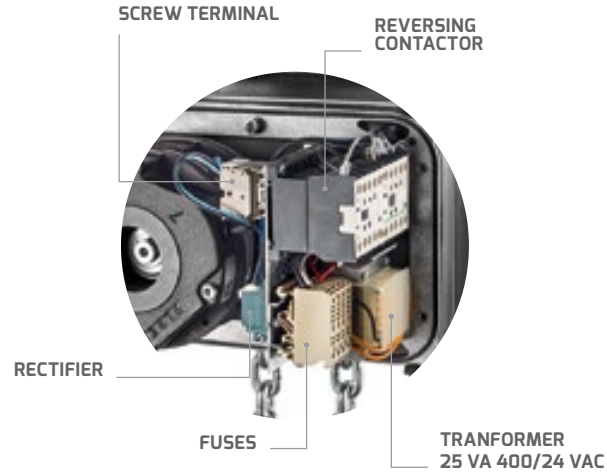
2000 kg

△ D8 DOUBLE BRAKE

LOW VOLTAGE CONTROL



Brake side



mm (inches): the values are reported in millimeters and inches.

△ D8 2000kg . LVC Chain Hoist

Model	D8
Working Load Limit (WLL)	2000kg/4409lb
Lifting Speed	4m/min / 13ft/min @50Hz
Motor Power	1.6kW
Operating Voltage Δ/Y	230/400VAC - 3 - 50Hz
3 ph Δ 230VAC - Y 400VAC	Δ 8.37 A - Y 4.83 A
Type of Control	Low Voltage Control
Revolutions Per Minute	1400
Falls of Chain	2
Load Wheel	5 pockets
Protection Class	IP55
FEM Classification	2m
Duty Factor of Motor	40%
Starts Per Hour	240
Connection Cable Length	1m / 3.3ft
Δ Power Supply Connector (*)	CEE 16A 9h 230VAC - 3PH + G black plug
Y Power Supply Connector	CEE 16A 6h 400VAC - 3PH + G black plug
Control Supply Connector	CEE 16A 4h 24VAC - 3PH + G black socket
Noise Level	67.5 db @ full load
DC Brake System	2
DC Brake Size	10
DC Brake Power	30W
DC Brake Operating Voltage	103VDC
DC Brake Rated Torque	16N·m / 11.80ft·lbs
DC Brake Rated Torque Reduction at the speed specification x %	83% (1500 r/min)
Clutch Characteristics	Clutch is a friction based force-limiter. Clutch is outside the line of kinetic movement.
Limit Switch	4 position
Self-Weight	≈ 47.0kg / 104lbs

(*) Δ 230VAC: Only on request, please contact EXE-Technology for more detailed information.



For US/CAN markets the chain hoist configuration available is 208VAC - 3 @ 60Hz. Custom configuration are also possible, please refer to your local EXE-Technology representative for all information.

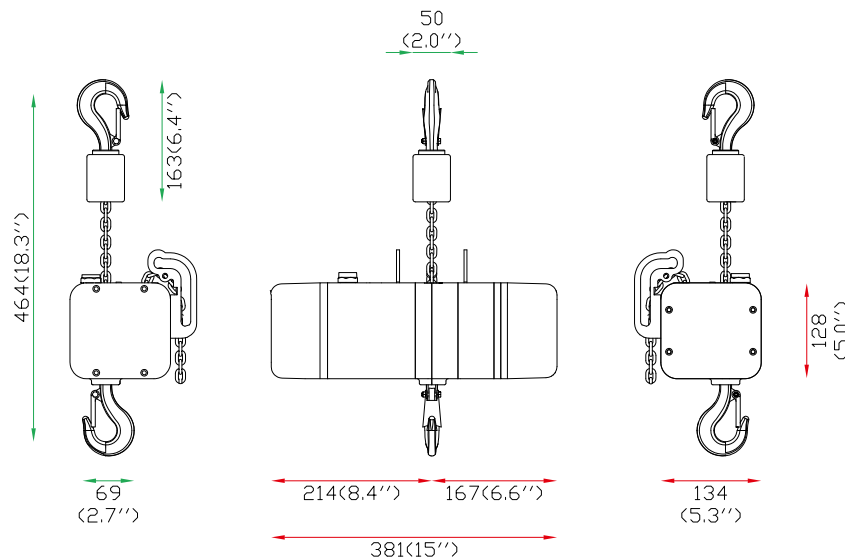
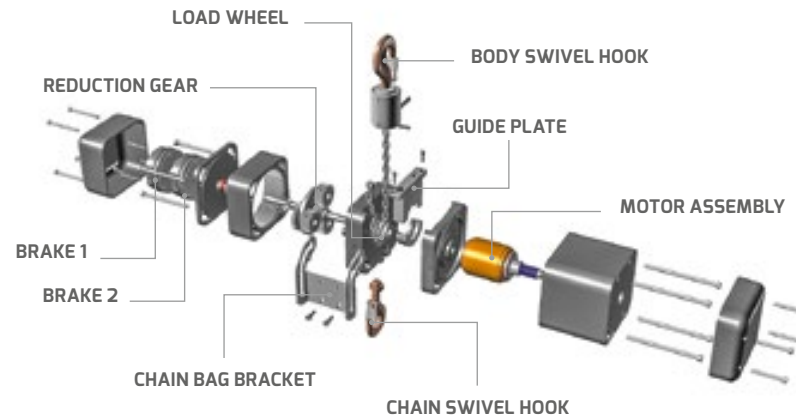
CHAIN SPECIFICATIONS

Size	8x24mm
Safety Factor	8:1
Self-Weight	1.39kg/m / 0.93lbs/ft
Material	Zinc Galvanized Steel grade 80 (DIN EN 818-7)

EXE
RISE

150 kg
□ D8+ **DOUBLE BRAKE**

DIRECT CONTROL



mm (inches): the values are reported in millimeters and inches.

□ D8+ 150kg . DC Chain Hoist

Model	D8+
Working Load Limit (WLL)	150kg/331lbs
Lifting Speed	4m/min / 13ft/min @50Hz
Motor Power	0.5kW
Operating Voltage Δ/Y	230/400VAC - 3 - 50Hz
3 ph Δ 230VAC - Y 400VAC	Δ 2.70 A - Y 1.56 A
Type of Control	Direct Control
Revolutions Per Minute	1400
Falls of Chain	1
Load Wheel	5 pockets
Protection Class	IP55
FEM Classification	2m
Duty Factor of Motor	40%
Starts Per Hour	240
Connection Cable Length	1m /3.3ft
Δ Power Supply Connector (*)	CEE 16A 9h 230VAC - 3PH + G black plug
Y Power Supply Connector	CEE 16A 6h 400VAC - 3PH + G black plug
Control Supply Connector	Not Provided
Noise Level	67.5 db @ full load
DC Brake System	2
DC Brake Size	06
DC Brake Power	20W
DC Brake Operating Voltage	103VDC
DC Brake Rated Torque	4N·m / 2.95ft·lbs
DC Brake Rated Torque Reduction at the speed specification x %	87% (1500 r/min)
Clutch Characteristics	Clutch is a friction based force-limiter. Clutch is outside the line of kinetic movement.
Limit Switch	Not Provided
Self-Weight	≈ 19.0kg / 42lbs

(*) Δ 230VAC: Only on request, please contact EXE-Technology for more detailed information.



For US/CAN markets the chain hoist configuration available is 208VAC - 3 @ 60Hz. Custom configuration is also possible, please refer to your local EXE-Technology representative for all information.

CHAIN SPECIFICATIONS

Size	4x12mm
Safety Factor	10:1
Self-Weight	0.35kg/m /0.24lbs/ft
Material	Zinc Galvanized Steel grade 80 (DIN EN 818-7)

150 kg

□ D8+ DOUBLE BRAKE

LOW VOLTAGE CONTROL

□ D8+ 150kg . LVC Chain Hoist

Model	D8+
Working Load Limit (WLL)	150kg/331lbs
Lifting Speed	4m/min / 13ft/min @50Hz
Motor Power	0.5kW
Operating Voltage Δ/Y	230/400VAC - 3 - 50Hz
3 ph Δ 230VAC - Y 400VAC	Δ 2.70A - Y 1.56A
Type of Control	Low Voltage Control
Revolutions Per Minute	1400
Falls of Chain	1
Load Wheel	5 pockets
Protection Class	IP55
FEM Classification	2m
Duty Factor of Motor	40%
Starts Per Hour	240
Connection Cable Length	1m /3.3ft
Δ Power Supply Connector (*)	CEE 16A 9h 230VAC - 3PH + G black plug
Y Power Supply Connector	CEE 16A 6h 400VAC - 3PH + G black plug
Control Supply Connector	CEE 16A 4h 24VAC - 3PH + G black socket
Noise Level	67.5 db @ full load
DC Brake System	2
DC Brake Size	06
DC Brake Power	20W
DC Brake Operating Voltage	103VDC
DC Brake Rated Torque	4N·m / 2.95ft·lbs
DC Brake Rated Torque Reduction at the speed specification x %	87% (1500 r/min)
Clutch Characteristics	Clutch is a friction based force-limiter. Clutch is outside the line of kinetic movement.
Limit Switch	Not Provided
Self-Weight	≈ 19.0kg / 42lbs

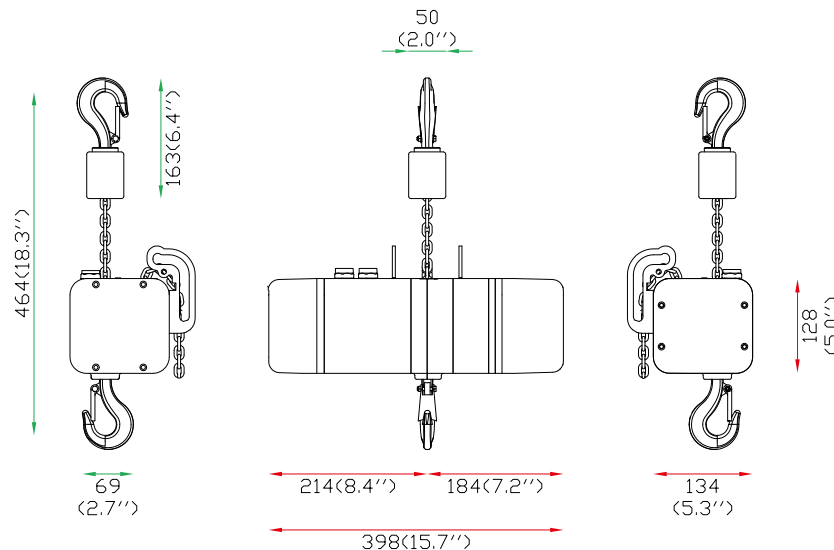
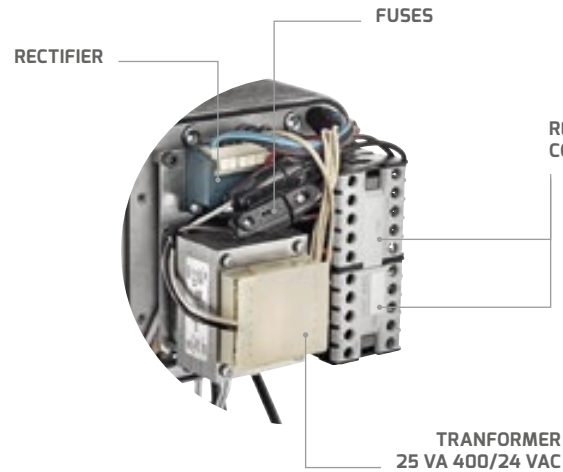
(*) Δ 230VAC: Only on request, please contact EXE-Technology for more detailed information.



For US/CAN markets the chain hoist configuration available is 208VAC - 3 @ 60Hz. Custom configuration are also possible, please refer to your local EXE-Technology representative for all information.

CHAIN SPECIFICATIONS

Size	4x12mm
Safety Factor	10:1
Self-Weight	0.35kg/1m / 0.24lbs/ft
Material	Zinc Galvanized Steel grade 80 (DIN EN 818-7)



mm (inches): the values are reported in millimeters and inches.

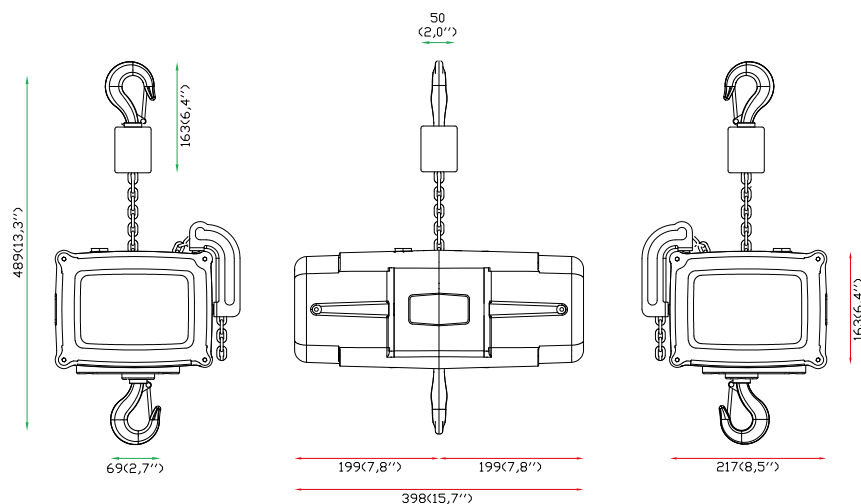
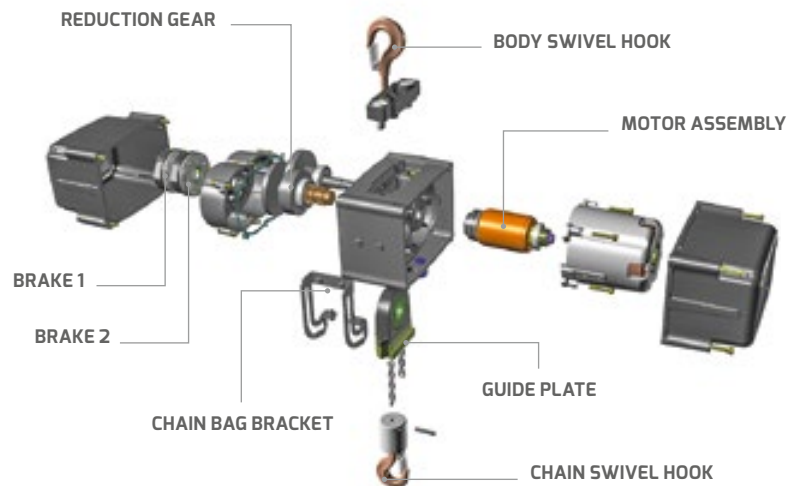
EXE
RISE

300kg
□ D8+ **DOUBLE BRAKE**

DIRECT CONTROL

18

EXE
RISE



mm (inches): the values are reported in millimeters and inches.

□ D8+ 300kg . DC Chain Hoist

Model	D8+
Working Load Limit (WLL)	300kg/661lbs
Lifting Speed	4m/min / 13ft/min @50Hz
Motor Power	0.8kW
Operating Voltage Δ/Y	230/400VAC - 3 - 50Hz
3 ph Δ 230VAC - Y 400VAC	Δ 3.29 A - Y 1.90 A
Type of Control	Direct Control
Revolutions Per Minute	1400
Falls of Chain	1
Load Wheel	5 pockets
Protection Class	IP55
FEM Classification	2m
Duty Factor of Motor	40%
Starts Per Hour	240
Connection Cable Length	1m
Δ Power Supply Connector (*)	CEE 16A 9h 230VAC - 3PH + G black plug
Y Power Supply Connector	CEE 16A 6h 400VAC - 3PH + G black plug
Control Supply Connector	Not Provided
Noise Level	67.5 db @ full load
DC Brake System	2
DC Brake Size	06
DC Brake Power	20W
DC Brake Operating Voltage	103VDC
DC Brake Rated Torque	8N·m / 5.90ft·lbs
DC Brake Rated Torque Reduction at the speed specification x %	87% (1500 r/min)
Clutch Characteristics	Clutch is a friction based force-limiter. Clutch is outside the line of kinetic movement.
Limit Switch	Not Provided
Self-Weight	≈ 36.0kg / 79lbs

(*) Δ 230VAC: Only on request, please contact EXE-Technology for more detailed information.



For US/CAN markets the chain hoist configuration available is 208VAC - 3 @ 60Hz. Custom configuration is also possible, please refer to your local EXE-Technology representative for all information.

CHAIN SPECIFICATIONS

Size	6x18mm
Safety Factor	10:1
Self-Weight	0.78kg/m / 0.52lbs/ft
Material	Zinc Galvanized Steel grade 80 (DIN EN 818-7)

EXE
RISE

300 kg

□ D8+ **DOUBLE BRAKE**

LOW VOLTAGE CONTROL

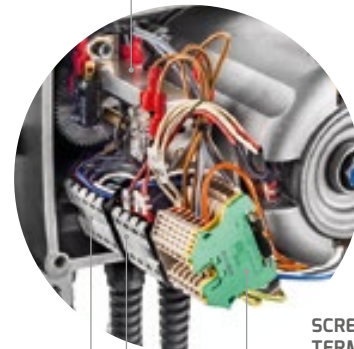


Brake side

Motor side

TRANSFORMER 25 VA 400/24 VAC

LIMIT SWITCH
4 POSITIONS

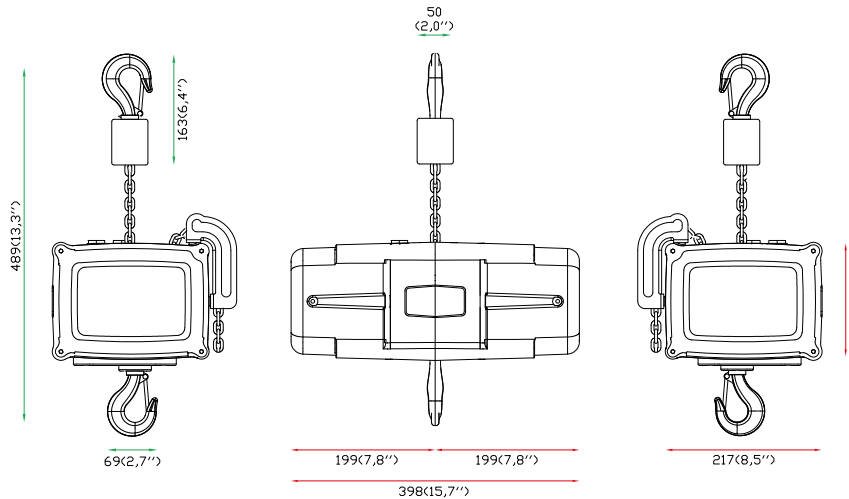


FUSES

RECTIFIER

SCREW
TERMINAL

REVERSING
CONTACTOR



mm (inches): the values are reported in millimeters and inches.

□ D8+ 300kg . LVC Chain Hoist

Model	D8+
Working Load Limit (WLL)	300kg/661lbs
Lifting Speed	4m/min / 13ft/min @50Hz
Motor Power	0.8kW
Operating Voltage Δ/Y	230/400VAC - 3 - 50Hz
3 ph Δ 230VAC - Y 400VAC	Δ 3.29 A - Y 1.90 A
Type of Control	Low Voltage Control
Revolutions Per Minute	1400
Falls of Chain	1
Load Wheel	5 pockets
Protection Class	IP55
FEM Classification	2m
Duty Factor of Motor	40%
Starts Per Hour	240
Connection Cable Length	1m / 3.3ft
Δ Power Supply Connector (*)	CEE 16A 9h 230VAC - 3PH + G black plug
Y Power Supply Connector	CEE 16A 6h 400VAC - 3PH + G black plug
Control Supply Connector	CEE 16A 4h 24VAC - 3PH + G black socket
Noise Level	67.5 db @ full load
DC Brake System	2
DC Brake Size	06
DC Brake Power	20W
DC Brake Operating Voltage	103VDC
DC Brake Rated Torque	8Nm / 5.90ft-lbs
DC Brake Rated Torque Reduction at the speed specification x %	87% (1500 r/min)
Clutch Characteristics	Clutch is a friction based force-limiter. Clutch is outside the line of kinetic movement.
Limit Switch	4 position
Self-Weight	≈ 36.0kg / 79lbs

(*) Δ 230VAC: Only on request, please contact EXE-Technology for more detailed information.



For US/CAN markets the chain hoist configuration available is 208VAC - 3 @ 60Hz. Custom configuration are also possible, please refer to your local EXE-Technology representative for all information.

CHAIN SPECIFICATIONS

Size	6x18mm
Safety Factor	10:1
Self-Weight	0.78kg/m / 0.52lbs/ft
Material	Zinc Galvanized Steel grade 80 (DIN EN 818-7)

EXE
RISE

600 kg

□ D8+ **DOUBLE BRAKE**

DIRECT CONTROL

□ D8+ 600kg . DC Chain Hoist

Model	D8+
Working Load Limit (WLL)	600kg/1323lbs
Lifting Speed	4m/min / 13ft/min @50Hz
Motor Power	1.0kW
Operating Voltage Δ /Y	230/400VAC - 3 - 50Hz
3 ph Δ 230VAC – Y 400VAC	Δ 3.59 A – Y 2.07 A
Type of Control	Direct Control
Revolutions Per Minute	1400
Falls of Chain	1
Load Wheel	5 pockets
Protection Class	IP55
FEM Classification	2m
Duty Factor of Motor	40%
Starts Per Hour	240
Connection Cable Length	1m / 3.3ft
Δ Power Supply Connector (*)	CEE 16A 9h 230VAC – 3PH + G black plug
Y Power Supply Connector	CEE 16A 6h 400VAC – 3PH + G black plug
Control Supply Connector	Not Provided
Noise Level	67.5 db @ full load
DC Brake System	2
DC Brake Size	08
DC Brake Power	25W
DC Brake Operating Voltage	103VDC
DC Brake Rated Torque	8N·m / 5.90ft·lbs
DC Brake Rated Torque Reduction at the speed specification x %	85% (1500 r/min)
Clutch Characteristics	Clutch is a friction based force-limiter. Clutch is outside the line of kinetic movement.
Limit Switch	Not Provided
Self-Weight	≈ 45.0kg / 99lbs

(*) Δ 230VAC: Only on request, please contact EXE-Technology for more detailed information.



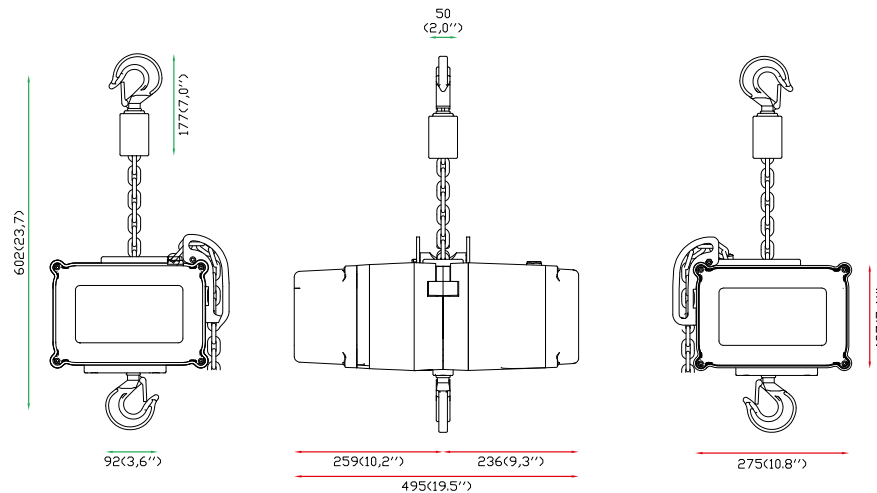
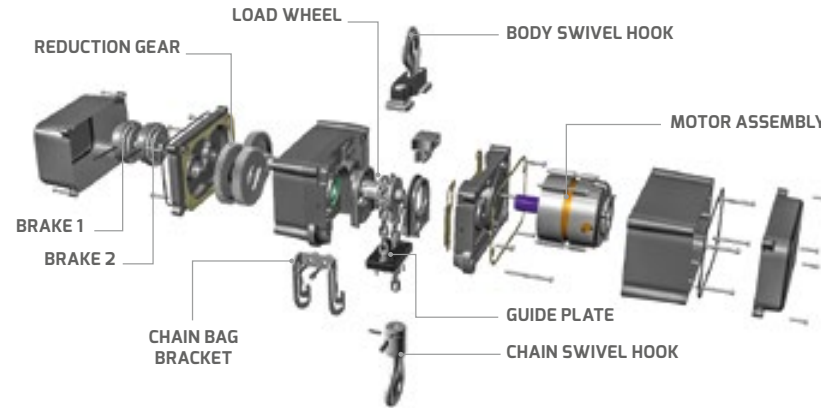
For US/CAN markets the chain hoist configuration available is 208VAC - 3 @ 60Hz. Custom configuration are also possible, please refer to your local EXE-Technology representative for all information.

CHAIN SPECIFICATIONS

Size	8x24mm
Safety Factor	10:1
Self-Weight	1.39kg/m / 0.93lbs/ft
Material	Zinc Galvanized Steel grade 80 (DIN EN 818-7)

20

EXE
RISE



mm (inches): the values are reported in millimeters and inches.

EXE
RISE

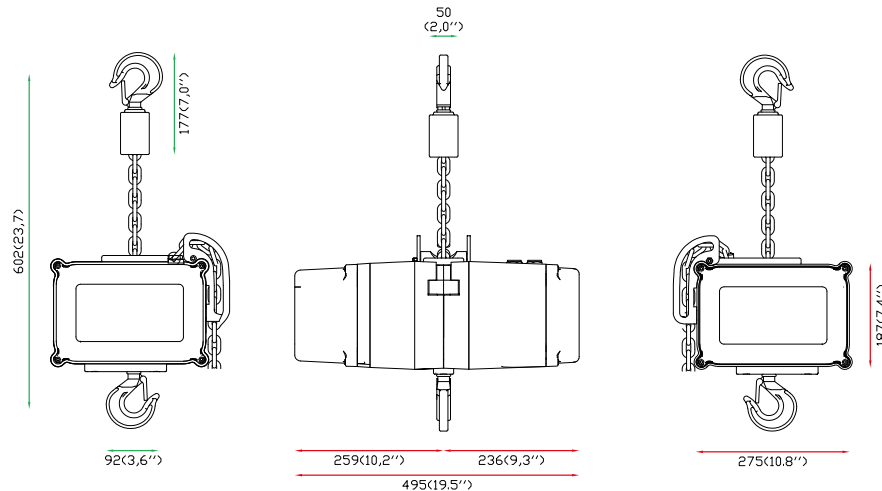
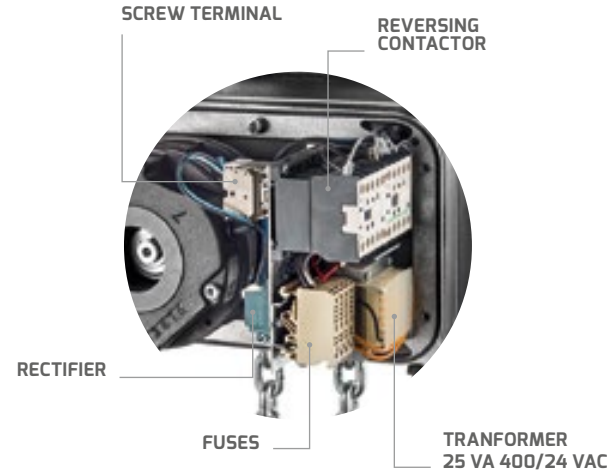
600 kg

□ D8+ DOUBLE BRAKE

LOW VOLTAGE CONTROL



Brake side



mm (inches): the values are reported in millimeters and inches.

□ D8+ 600kg . LVC Chain Hoist

Model	D8+
Working Load Limit (WLL)	600kg/1323lbs
Lifting Speed	4m/min / 13ft/min @50Hz
Motor Power	1.0kW
Operating Voltage Δ/Y	230/400VAC - 3 - 50Hz
3 ph Δ 230VAC - Y 400VAC	Δ 3.59 A - Y 2.07 A
Type of Control	Low Voltage Control
Revolutions Per Minute	1400
Falls of Chain	1
Load Wheel	5 pockets
Protection Class	IP55
FEM Classification	2m
Duty Factor of Motor	40%
Starts Per Hour	240
Connection Cable Length	1m / 3.3ft
Δ Power Supply Connector (*)	CEE 16A 9h 230VAC - 3PH + G black plug
Y Power Supply Connector	CEE 16A 6h 400VAC - 3PH + G black plug
Control Supply Connector	CEE 16A 4h 24VAC - 3PH + G black socket
Noise Level	67.5 db @ full load
DC Brake System	2
DC Brake Size	08
DC Brake Power	25W
DC Brake Operating Voltage	103VDC
DC Brake Rated Torque	8N·m / 5.90ft·lbs
DC Brake Rated Torque Reduction at the speed specification x %	85% (1500 r/min)
Clutch Characteristics	Clutch is a friction based force-limiter. Clutch is outside the line of kinetic movement.
Limit Switch	4 position
Self-Weight	≈ 45.0kg / 99lbs

(*) Δ 230VAC: Only on request, please contact EXE-Technology for more detailed information.



For US/CAN markets the chain hoist configuration available is 208VAC - 3 @ 60Hz. Custom configuration are also possible, please refer to your local EXE-Technology representative for all information.

CHAIN SPECIFICATIONS

Size	8x24mm
Safety Factor	10:1
Self-Weight	1.39kg/m / 0.93lbs/ft
Material	Zinc Galvanized Steel grade 80 (DIN EN 818-7)

EXE
RISE

800kg
□ D8+ **DOUBLE BRAKE**

DIRECT CONTROL

□ D8+ 800kg . DC Chain Hoist

Model	D8+
Working Load Limit (WLL)	800 kg / 1764 lbs
Lifting Speed	4 m/min @ 50 Hz
Motor Power	1.6 kW
Operating Voltage Δ / Y	230/400 VAC - 3 - 50 Hz
3 ph Δ 230VAC - Y 400VAC	Δ 4.59 A - Y 2.65 A
Type of Control	Direct Control
Revolutions Per Minute	1400
Falls of Chain	1
Load Wheel	5 pockets
Protection Class	IP55
FEM Classification	2m
Duty Factor of Motor	40%
Starts Per Hour	240
Connection Cable Length	1 m
Δ Power Supply Connector (*)	CEE 16A 9h 230VAC - 3PH + G black plug
Y Power Supply Connector	CEE 16A 6h 400VAC - 3PH + G black plug
Control Supply Connector	Not Provided
Noise Level	67.5 db @ full load
DC Brake System	2
DC Brake Size	10
DC Brake Power	30W
DC Brake Operating Voltage	105VDC
DC Brake Rated Torque	16N·m / 11.80 ft·lbs
DC Brake Rated Torque Reduction at the speed specification x %	83% (1500 r/min)
Clutch Characteristics	Clutch is a friction based force-limiter. Clutch is outside the line of kinetic movement.
Limit Switch	Not Provided
Self-Weight	≈ 46.0kg / 101lbs

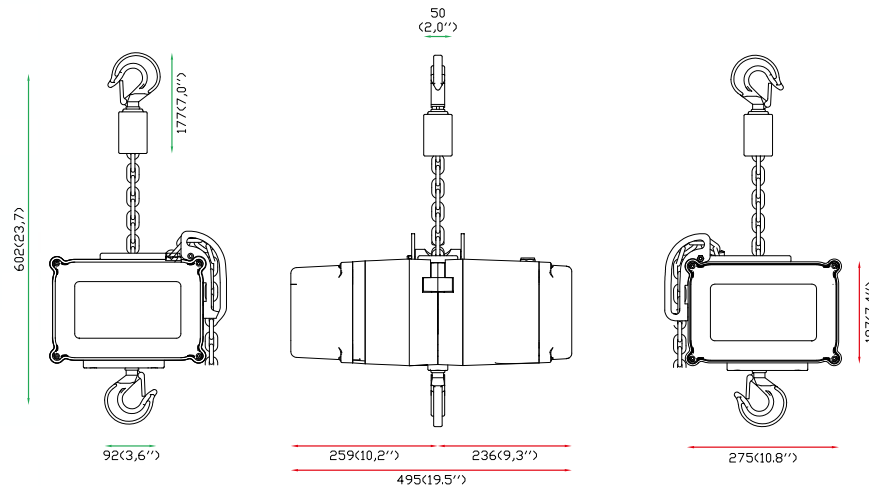
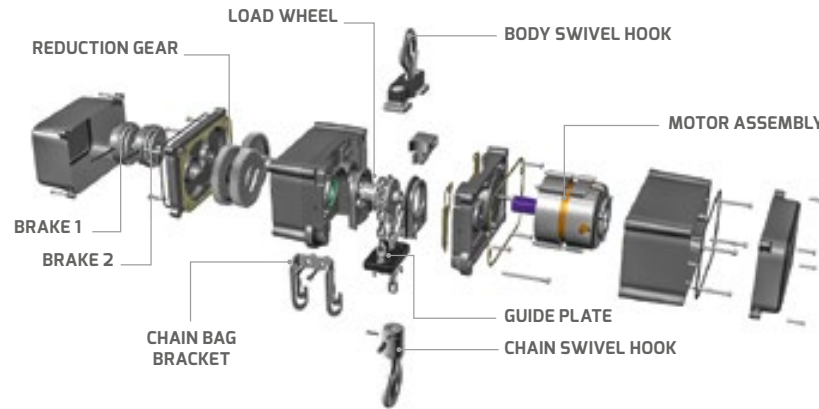
(*) Δ 230VAC: Only on request, please contact EXE-Technology for more detailed information.



For US/CAN markets the chain hoist configuration available is 208VAC - 3 @ 60Hz. Custom configuration is also possible, please refer to your local EXE-Technology representative for all information.

CHAIN SPECIFICATIONS

Size	8x24mm
Safety Factor	10:1
Self-Weight	1.39kg/m / 0.93lbs/ft
Material	Zinc Galvanized Steel grade 80 (DIN EN 818-7)



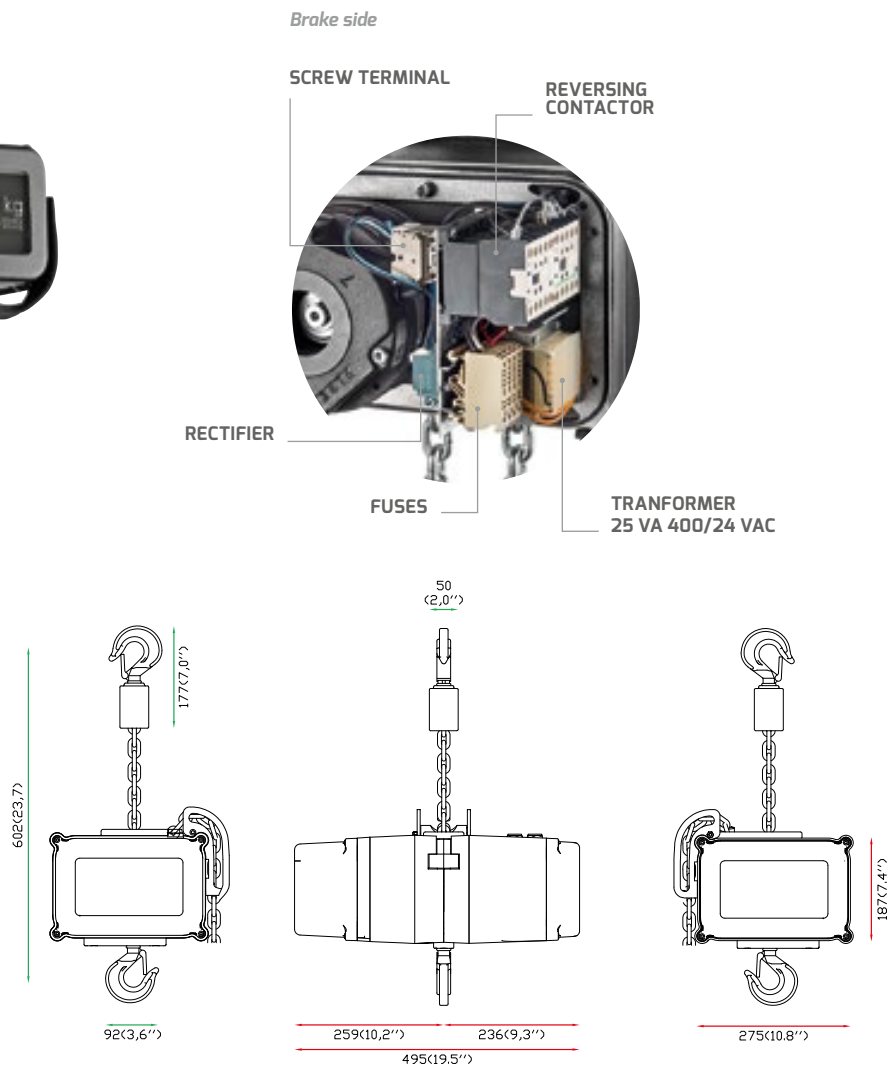
mm (inches): the values are reported in millimeters and inches.

EXE
RISE

800 kg

□ D8+ **DOUBLE BRAKE**

LOW VOLTAGE CONTROL



mm (inches): the values are reported in millimeters and inches.

□ D8+ 800kg . LVC Chain Hoist

Model	D8+
Working Load Limit (WLL)	800 kg / 1754 lbs
Lifting Speed	4 m/min @ 50 Hz
Motor Power	1.6 kW
Operating Voltage Δ/Y	230/400VAC - 3 - 50 Hz
3 ph Δ 230VAC - Y 400VAC	Δ 4.59 A - Y 2.65 A
Type of Control	Low Voltage Control
Revolutions Per Minute	1400
Falls of Chain	1
Load Wheel	5 pockets
Protection Class	IP55
FEM Classification	2m
Duty Factor of Motor	40%
Starts Per Hour	240
Connection Cable Length	1 m
Δ Power Supply Connector (*)	CEE 16A 9h 230VAC - 3PH + G black plug
Y Power Supply Connector	CEE 16A 6h 400VAC - 3PH + G black plug
Control Supply Connector	CEE 16A 4h 24VAC - 3PH + G black socket
Noise Level	67.5 db @ full load
DC Brake System	2
DC Brake Size	10
DC Brake Power	30 W
DC Brake Operating Voltage	105VDC
DC Brake Rated Torque	16N·m / 11.80ft·lbs
DC Brake Rated Torque Reduction at the speed specification x %	83% (1500 r/min)
Clutch Characteristics	Clutch is a friction based force-limiter. Clutch is outside the line of kinetic movement.
Limit Switch	4 position
Self-Weight	≈ 46.0kg / 101lbs

(*) Δ 230VAC: Only on request, please contact EXE-Technology for more detailed information.



For US/CAN markets the chain hoist configuration available is 208VAC - 3 @ 60Hz. Custom configuration are also possible, please refer to your local EXE-Technology representative for all information.

CHAIN SPECIFICATIONS

Size	8x24mm
Safety Factor	10:1
Self-Weight	1.39kg/m / 0.93lbs/ft
Material	Zinc Galvanized Steel grade 80 (DIN EN 818-7)

EXE
RISE

1200 kg
□ D8+ **DOUBLE BRAKE**

DIRECT CONTROL

□ D8+ 1200kg . DC Chain Hoist

Model	D8+
Working Load Limit (WLL)	1200kg/2646lbs
Lifting Speed	4m/min / 13ft/min @50Hz
Motor Power	1.6kW
Operating Voltage Δ/Y	230/400VAC - 3 - 50Hz
3 ph Δ 230VAC - Y 400VAC	Δ 4.59 A - Y 2.65 A
Type of Control	Direct Control
Revolutions Per Minute	1400
Falls of Chain	2
Load Wheel	5 pockets
Protection Class	IP55
FEM Classification	2m
Duty Factor of Motor	40%
Starts Per Hour	240
Connection Cable Length	1m /3.3ft
Δ Power Supply Connector (*)	CEE 16A 9h 230VAC - 3PH + G black plug
Y Power Supply Connector	CEE 16A 6h 400VAC - 3PH + G black plug
Control Supply Connector	Not Provided
Noise Level	67.5 db @ full load
DC Brake System	2
DC Brake Size	10
DC Brake Power	30W
DC Brake Operating Voltage	103VDC
DC Brake Rated Torque	16Nm / 11.80ft-lbs
DC Brake Rated Torque Reduction at the speed specification x %	83% (1500 r/min)
Clutch Characteristics	Clutch is a friction based force-limiter. Clutch is outside the line of kinetic movement.
Limit Switch	Not Provided
Self-Weight	≈ 47.0kg / 104lbs

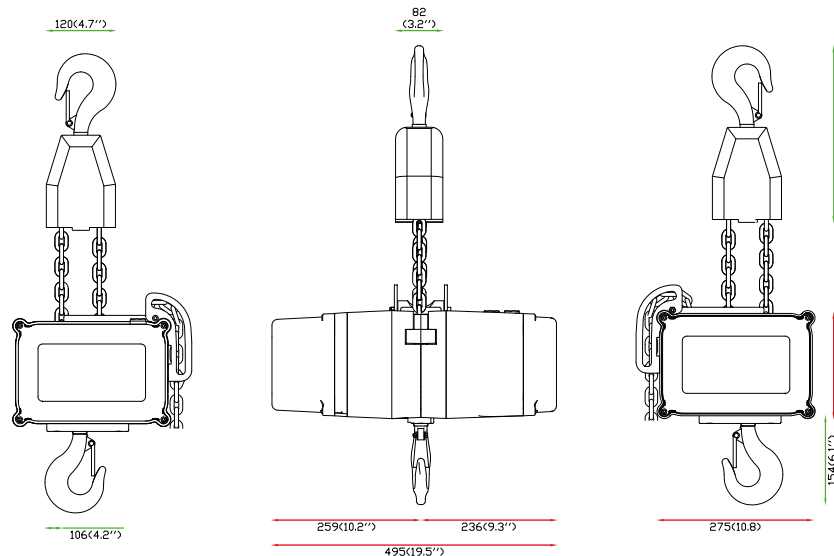
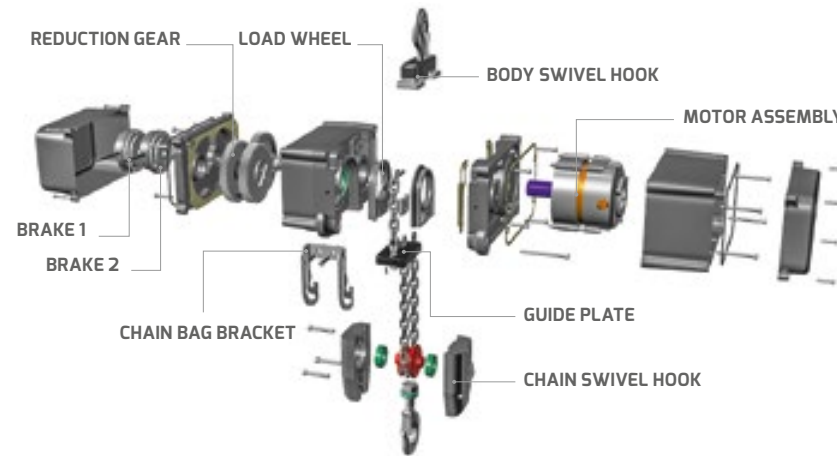
(*) Δ 230VAC: Only on request, please contact EXE-Technology for more detailed information.



For US/CAN markets the chain hoist configuration available is 208VAC - 3 @ 60Hz. Custom configuration is also possible, please refer to your local EXE-Technology representative for all information.

CHAIN SPECIFICATIONS

Size	8x24mm
Safety Factor	10:1
Self-Weight	1.39kg/m / 0.93lbs/ft
Material	Zinc Galvanized Steel grade 80 (DIN EN 818-7)



mm (inches): the values are reported in millimeters and inches.

EXE
RISE

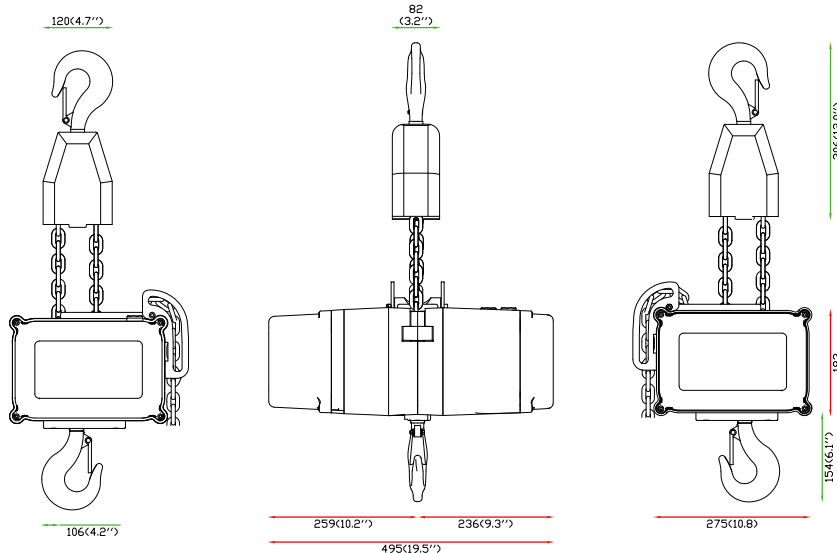
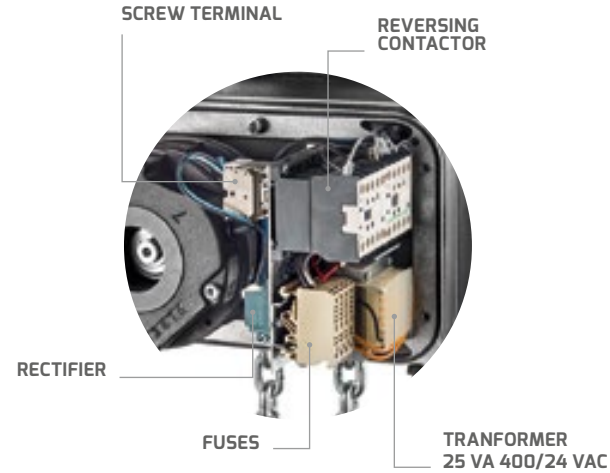
1200 kg

□ D8+ DOUBLE BRAKE

LOW VOLTAGE CONTROL



Brake side



mm (inches): the values are reported in millimeters and inches.

□ D8+ 1200kg . LVC Chain Hoist

Model	D8+
Working Load Limit (WLL)	1200kg/2646lbs
Lifting Speed	4m/min / 13ft/min @50Hz
Motor Power	1.6kW
Operating Voltage Δ/Y	230/400VAC - 3 - 50Hz
3 ph Δ 230VAC - Y 400VAC	Δ 4.59 A - Y 2.65 A
Type of Control	Low Voltage Control
Revolutions Per Minute	1400
Falls of Chain	2
Load Wheel	5 pockets
Protection Class	IP55
FEM Classification	2m
Duty Factor of Motor	40%
Starts Per Hour	240
Connection Cable Length	1m / 3,3 ft
Δ Power Supply Connector (*)	CEE 16A 9h 230VAC - 3PH + G black plug
Y Power Supply Connector	CEE 16A 6h 400VAC - 3PH + G black plug
Control Supply Connector	CEE 16A 4h 24VAC - 3PH + G black socket
Noise Level	67.5 db @ full load
DC Brake System	2
DC Brake Size	10
DC Brake Power	30W
DC Brake Operating Voltage	103VDC
DC Brake Rated Torque	16N·m / 11.80ft·lbs
DC Brake Rated Torque Reduction at the speed specification x %	83% (1500 r/min)
Clutch Characteristics	Clutch is a friction based force-limiter. Clutch is outside the line of kinetic movement.
Limit Switch	4 position
Self-Weight	≈ 47.0kg / 104lbs

(*) Δ 230VAC: Only on request, please contact EXE-Technology for more detailed information.



For US/CAN markets the chain hoist configuration available is 208VAC - 3 @ 60Hz. Custom configuration are also possible, please refer to your local EXE-Technology representative for all information.

CHAIN SPECIFICATIONS

Size	8x24mm
Safety Factor	10:1
Self-Weight	1.39kg/m / 0.93lbs/ft
Material	Zinc Galvanized Steel grade 80 (DIN EN 818-7)

25

EXE
RISE

EXE
RISE

250kg

SINGLE PHASE

250kg . Single Phase Chain Hoist

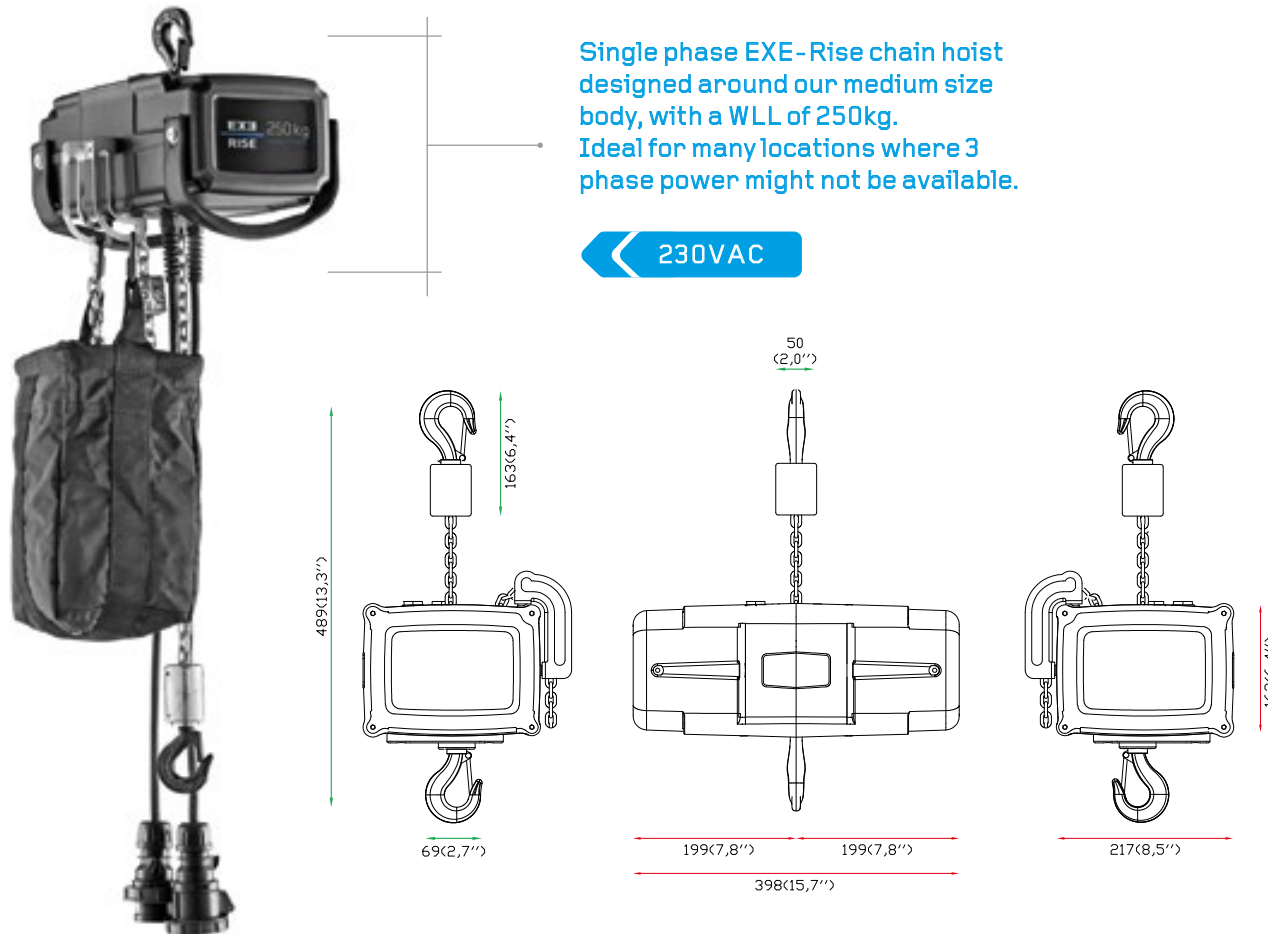
Model	250kg SINGLE PHASE
Working Load Limit (WLL)	250kg/551lbs
Lifting Speed	4m/min / 13ft/min @50Hz
Motor Power	0.8kW
Operating Voltage Δ	230VAC - 1 - 50Hz
1 ph Δ 230VAC	Δ 3.1 A
Type of Control	Low Voltage Control
Revolutions Per Minute	1400
Falls of Chain	1
Load Wheel	5 pockets
Protection Class	IP55
FEM Classification	2m
Duty Factor of Motor	40%
Starts Per Hour	240
Connection Cable Length	1m / 3.3ft
Δ Power Supply Connector (*)	CEE 16A 6h 230VAC - 2PH + G black plug
Control Supply Connector	CEE 16A 4h 24VAC - 3PH + G black plug
Noise Level	67.5 db @ full load
DC Brake System	2
DC Brake Size	06
DC Brake Power	20W
DC Brake Operating Voltage	105VDC
DC Brake Rated Torque	4N·m / 2.95ft·lbs
DC Brake Rated Torque Reduction at the speed specification x %	87% (1500 r/min)
Clutch Characteristics	Clutch is a friction based force-limiter. Clutch is outside the line of kinetic movement.
Self-Weight	≈ 36.0kg / 79lbs

26

EXE
RISE

Single phase EXE-Rise chain hoist designed around our medium size body, with a WLL of 250kg. Ideal for many locations where 3 phase power might not be available.

230VAC



mm (inches): the values are reported in millimeters and inches.

CHAIN SPECIFICATIONS

Size	6x18mm / 0.24x0.7inch
Safety Factor	> 8:1
Self-Weight	0.78kg/m / 0.52lbs/ft
Material	Zinc Galvanized Steel grade 80 (DIN EN 818-7)

CHAIN HOIST MECHANISMS CLASSIFICATION

According to International
ISO 4301 and European FEM 9.511

RATE OF LOADING	Average time of supposed daily operation T_m (hour)		to 0.25	from 0.25 to 0.5	from 0.5 to 1	from 1 to 2	from 2 to 4	from 4 to 8	from 8 to 16
	Rate of loadin Total operating Time (hour)		to 400	to 800	to 1600	to 3200	to 6300	to 12500	to 25000
LIGHT	When normally working with approx.. 1/3 of W.L.L. and rarely with W.L.L.	ISO FEM	--	M1 1Dm	M2 1Cm	M3 1Bm	M4 1Am	M5 2m	M6 3m
MEDIUM	When normally working with approx.. 1/3 to 2/3 of W.L.L. and sometime W.L.L.	ISO FEM	M1 1Dm	M2 1Cm	M3 1Bm	M4 1Am	M5 2m	M6 3m	M7 4m
HEAVY	When normally working with approx.. to 2/3 of W.L.L. and often with W.L.L.	ISO FEM	M2 1Cm	M3 1Bm	M4 1Am	M5 2m	M6 3m	M7 4m	M8 5m
VERY HEAVY	When normally working with W.L.L. or near W.L.L.	ISO FEM	M3 1Bm	M4 1Am	M5 2m	M6 3m	M7 4m	M8 5m	--

VERTICAL MOVEMENTS

ISO 4301	FEM 9.511	DUTY FACTOR OF MOTOR	MINUTES PER HOUR Uniformly Distributed Work Period	STARTS PER HOUR	HOUR / 10 YEARS Bearing Time
M1	1Dm	15%	9	90	400
M2	1Cm	20%	12	120	800
M3	1Bm	25%	15	150	1600
M4	1Am	30%	18	180	3200
M5	2m	40%	24	240	6300
M6	3m	50%	30	300	12500



EXE
VARIO

CHAIN HOIST VARIABLE SPEED

THE LATEST ADDITION TO ELECTRIC
CHAIN HOIST RANGE
+

Suitable for body-up and body-down (self-climbing or standard suspension) without the need for any adjustments.

The EXE-Rise Vario has been developed after close collaboration with the team at Kinesys Projects Ltd. and is based around the existing large frame EXE-Rise hoist, converted for use with the popular Kinesys Elevation 1+ control.

Available directly from Kinesys, all hoists are supplied ready for use, fitted with double brakes, four position limit switches and encoders as standard and offers a 500 kg lifting capacity on a single fall of 8 x 24 mm chain, with a maximum speed of 24 metres per minute. It has the ability to ramp start, ramp stop, program preset positions and vary the speed of a chain hoist for maximum creative effect.

When it comes to control, the EXE-Rise Vario is compatible with Kinesys Rigger, Vector and K2 control platforms, all which are "tour-proven" and universally recognised as industry standard. The Vario can also be used as a fixed speed hoist by adding an adapter cable, which allows connection to a standard controller.

02

500 kg
1000 kg

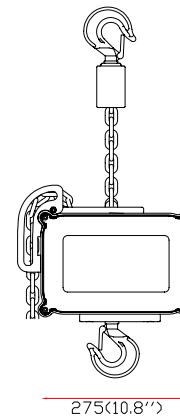
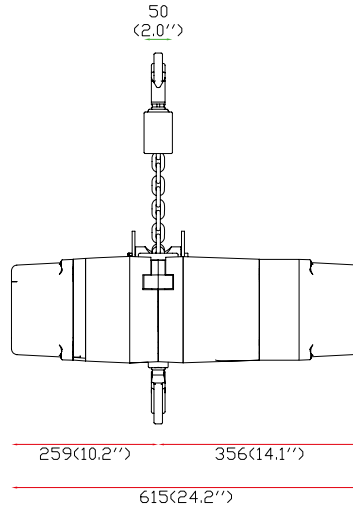
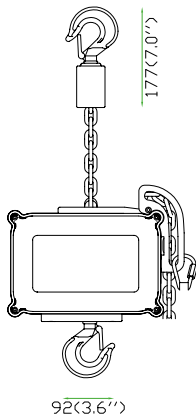
VARIABLE SPEED



EXE-Vario is variable speed chain hoist converted for use with the Kinesys Control System.

VARIABLE SPEED

602(23.7")



mm (inches): the values are reported in millimeters and inches.

VARIABLE SPEED 500 kg & 1000 kg Chain Hoist

Model	VARIABLE SPEED
Working Load Limit (WLL)	500kg/1102lbs
Lifting Speed	From 0 m/min / 0ft/min To 20m/min / 66ft/min @50Hz
Working Load Limit (WLL)	1000kg/2205lbs
Lifting Speed	From 0 m/min / 0ft/min To 10m/min / 33ft/min @50Hz

Motor Power	2.2kW
Operating Voltage Δ/Y	400VAC - 3 - 50Hz
3 ph Y 400VAC	≈ 6.0 A
Type of Control	Direct Control
Revolutions Per Minute	2800
Falls of Chain	1
Load Wheel	5 pockets
Protection Class	IP55 DIN 40050
Noise Level	67.5 db @ full load
DC Brake System	2
DC Brake Size	10
DC Brake Power	30W
DC Brake Operating Voltage	205VDC
DC Brake Rated Torque	16N·m
DC Brake Rated Torque Reduction at the speed specification x %	76% (3000 r/min)
Clutch Characteristics	Clutch is a friction based force-limiter. Clutch is outside the line of kinetic movement.
Limit Switch	4 position
Encoder	Incremental
Self-Weight	≈ 49.0kg
Please contact EXE-Technology for more detailed information.	

CHAIN SPECIFICATIONS

Size	8x24mm
Safety Factor	> 1:8
Self-Weight	1.39kg/m
Material	Zinc Galvanized Steel grade 80 (DIN EN 818-7)



CHAIN BAG

Chain Bag used for EXE-RISE is in Polyvinyl chloride coated polyamide 65% PVC (Nylon 840), 35% Polyamide. There are five size (XS, S, M, L, XL) in order to hoist chain of destination.

	XS	S	M	L	XL
<i>Litec Code</i>	CHB029	CHB024	CHB025	CHB026	CHB027
<i>External Dimensions [cm] = AxB</i>	14x9	20x17	20x17	27x21	20x17
<i>Height [cm] = C</i>	40	34	42	58	65
<i>Self-Weight [kg]</i>	≈ 0.75	≈ 1.00	≈ 1.00	≈ 1.00	≈ 1.00
<i>External Dimensions [inch] = AxB</i>	5.5x3.5	7.9x6.7	7.9x6.7	10.6x8.3	7.9x6.7
<i>Height [inch] = C</i>	15.7	13.4	16.5	22.8	25.6
<i>Self-Weight [lbs]</i>	≈ 1.65	≈ 2.20	≈ 2.20	≈ 2.20	≈ 2.20



RAIN COVER

Protection from solids and liquids element for EXE-Rise chain hoist in OFF mode during seasonal and permanent installations. EXE-Technology rain cover can be used in both the motor-up and motor-down position and fit easily over the top of the motor to form an impermeable barrier.

	S	M	L
<i>Litec Code</i>	CHHSBK	CHHMBK	CHHLBK
<i>Commercial Name</i>	Black Cover Small	Black Cover Medium	Black Cover Large
<i>Chain Hoist Compatible</i>	D8 250kg/551lbs D8+ 150kg/331lbs	D8 500kg/1102lbs D8+ 300kg/661lbs	D8 1000kg/2205lbs D8+ 600kg/1323lbs D8+ 800kg/1764lbs D8 2000kg/4409lbs D8+ 1200kg/2646lbs



FLIGHT CASE

Flight-cases are extremely robust with protection against bumps and vibration. Parts are assembled using aluminum bordering, handles, closures and casing, with fixed wheels and trans pallet supports. Flight-cases are fireproof and waterproof.

TECHNICAL DATA

	DIMENSIONS b1xb2xh	HOIST COMPATIBILITY	QUANTITY OF HOIST
<i>XRFSF2N</i>	74x57x57 cm	D8 250kg/551lbs	2
	29.1x22.4x22.4 inch	D8+ 150kg/331lbs	
<i>XRFMF2N</i>	74x57x57 cm	D8 500kg/1102lbs	2
	29.1x22.4x22.4 inch	D8+ 300kg/661lbs	
<i>XRFLF1N</i>	74x57x57 cm 29.1x22.4x22.4 inch	D8 1000kg/2205lbs	1
		D8+ 600kg/1323lbs	
		D8+ 800kg/1764lbs	
		D8 2000kg/4409lbs D8+ 1200kg/2646lbs	



XRFSF2N



XRFMF2N



XRFLF1N



SELF LOCKING SWIVEL HOOKS

The self locking swivel hooks are extremely safe because of the self closing latch and the way the hook is constructed prevents the hook from opening when under load.

S

M

L

Commercial Name	Latch Lock Hook Small	Latch Lock Hook Medium	Latch Lock Hook Large
Chain Hoist Compatible	D8 250kg/551lbs D8+ 150kg/331lbs D8 500kg/1102lbs D8+ 300kg/661lbs	D8 1000kg/2205lbs D8+ 600kg/1323lbs D8+ 800kg/1764lbs	D8 2000kg/4409lbs D8+ 1200kg/2646lbs



CHAIN SLIDER

Dual 9mm cable attachment points. Can be fitted on a load-bearing chain. Made out of low friction black Polyoxymethylene (POM). Four stainless M6 Hex bolts and Nylocks included.

S

M

L

Commercial Name	Chain Slider Small	Chain Slider Medium	Chain Slider Large
Chain Compatible	4x12mm 5x15mm	6x18mm 7x22mm	8x24mm



EXE

1000 kg

RISE

Δ D8 DOUBLE
BRAKE

EXE DRIVE CONTROLLERS

COMFORTABLE,
+ QUICK & SAFE

EXE-Technology is pleased to present its brand new range of controllers.

The range features 4, 8, 16 and 24 Channel Base controller in 3U and 14U rack mountable chassis, 4, 8, 16 and 24 Channel Digital Link controllers, both in 5U rack mountable chassis and their complementary accessories.


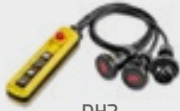























They are equipped with a power inlet connector which includes a mechanical phase inverter to allow easy correction of cross phased power supplies.

The XDDLxx models are also equipped with phase present indicator lights. EXE-Drive controllers are compatible with EXE-Rise chain hoists, and also with most chain hoists present on the market from 0.19 kW to 1.6 kW.

They conform to:

- Machinery directive: 2006/42/CE
- Low Voltage directive: 2014/35/CE
- Electromagnetic compatibility directive: 2014/30/CE

and are in accordance with the harmonized standards EN 60065, EN 60950, EN 60204-1 EN 60204-32, EN 13850, EN12100-2.

N° CHANNEL	LINKABLE	DIRECT CONTROL	LOW VOLTAGE CONTROL	DIGITAL REMOT CONTROL		
1	✗	 DH1				
2	✗	 DH2				
4	✗	 XDDB4	 XDDB4-LV			
	✓	 XDDL4	 XDDL4-LV	 XDRHG	 XDRHGR	 XDRH4C
8	✗	 XDDB8				
	✓	 XDDL8	 XDDL8-LV	 XDRHG	 XDRHGR	 XDRH8C
16	✓	 XDDL16	 XDDL16-LV	 XDRHG	 XDRHGR	 XDRH16C
24	✓	 XDDL24	 XDDL24-LV	 XDRHG	 XDRHGR	 XDRH24C



DH1

1-CHANNEL PENDANT PUSH BUTTON

KEY FEATURES

Double-isolated yellow keypad in polyester

1 x Emergency Stop button

2 x mechanical interlock UP-DOWN switches
(requires operator to be present)

Compatible with most chain hoists available on the market

TECHNICAL SPECIFICATIONS

Power Supply:	1 plug CEE 230/400VAC 16A 6H 3P+N+T IP67 with mechanical phase inverter
Outputs:	1 x CEE 400VAC 16A 6H 3P+T IP67 flying plug
Rated operational current per output:	10A in AC3 - AC4
Ambient Temperature - Storage:	-25°C/+70°C
Ambient Temperature - Operation:	-25°C/+40°C
Dimensions:	200x85x75.4 mm 7.8x3.3x3.0 inch
Weight:	1,5 kg / 3.3 lbs



DH2

2-CHANNEL PENDANT PUSH BUTTON

KEY FEATURES

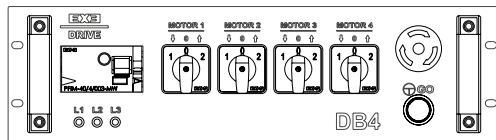
- Double-isolated yellow keypad in polyester
- 1 x Emergency Stop button
- 2 x mechanical interlock UP-DOWN switches (requires operator to be present)
- Compatible with most chain hoists available on the market

TECHNICAL SPECIFICATIONS

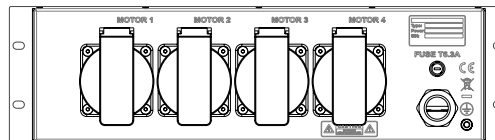
Power Supply:	1 plug CEE 230/400VAC 16A 6H 3P+N+T IP67 with mechanical phase inverter
Outputs:	2 x CEE 400VAC 16A 6H 3P+T IP67 flying plug
Rated operational current per output:	5A in AC3 - AC4
Ambient Temperature - Storage:	-25°C/+70°C
Ambient Temperature - Operation:	-25°C/+40°C
Dimensions:	310x98x76 mm 12.2x3.9x3.0 inch
Weight:	2.0 kg / 4.4 lbs



FRONT VIEW



BACK VIEW



XDDB4

4-CHANNEL BASIC CONTROLLER

KEY FEATURES

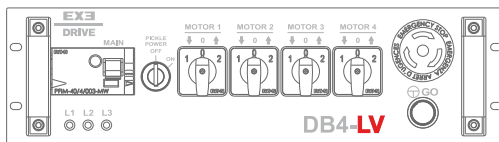
- 3 Red Neon Light for Power Supply indication
- MCB 16A & GFI Breaker (30mA)
- Emergency Stop button
- White GO button
- 4 x 3-travel direction selectors (UP-OFF-DOWN)

TECHNICAL SPECIFICATIONS

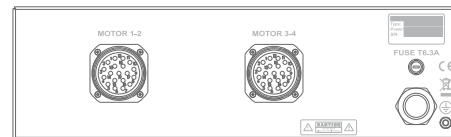
Power Supply:	1 plug CEE 230/400VAC 32A 6H 3P+N+E w/mechanical phase inverter
Outputs:	1 x CEE 400VAC 16A 6H 3P+T IP67 flying plug
Dimensions:	3U rack box 260mm depth
Weight:	12 kg / 26.5 lbs



FRONT VIEW



BACK VIEW



XDDB4-LV 4-CHANNEL BASIC CONTROLLER

KEY FEATURES

- 3 Red Neon Light for Power Supply indication
- MCB 16A & GFI Breaker (30mA)
- Emergency Stop button
- White GO button
- 4 x 3-travel direction selectors (UP-OFF-DOWN)
- Protection General Contactor

TECHNICAL SPECIFICATIONS

Power Supply:	230/400VAC 32A 6H 3P+N+E w/mechanical phase inverter
Outputs:	2 x 19 pin circular multi-pin female connector: Two channel power and 2 channel control per connector
Dimensions:	3U rack box 260mm depth
Weight:	12 kg / 26.5 lbs

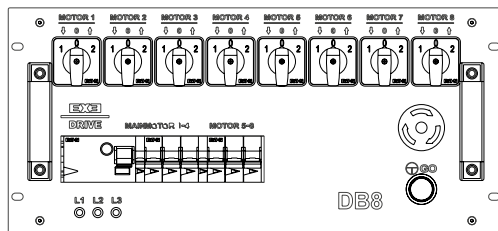


SPIDER-SOCAPEX TO CEE

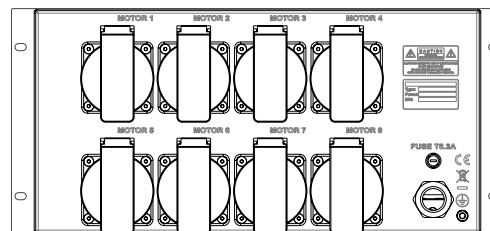
This adapter is used to split the Multi-pin outlets out to 16amp power and control connectors to enable connection to chain hoists.



FRONT VIEW



BACK VIEW



XDDB8

8-CHANNEL BASIC CONTROLLER

KEY FEATURES

- 3 Red Neon Light for Power Supply indication
- MCB 16A & GFI Breaker (30mA)
- Emergency Stop button
- White GO button
- 8 x 3-travel direction selectors (UP-OFF-DOWN)
- Protection General Contactor

TECHNICAL SPECIFICATIONS

Power Supply:	1 plug CEE 230/400VAC 16A 6H 3 P+N+E with mechanical phase inverter
Outputs:	8 x CEE 400VAC 16A 6H 3 P+E panel sockets
Dimensions:	5U rack box 260mm depth
Weight:	17 kg / 26.5 lbs



XDDL4 4-CHANNEL MULTILINK CONTROLLER

KEY FEATURES

- 3 Bicolor Led Light Green/Red for Phase Rotation indication 123 – 321 GFI 40A (30mA)
- 4 MCB 10A w/link functions between MCB and General Contactor for magneto-thermal Cut off
- 4 x direction contactor reversal
- Emergency Stop button
- White GO button with light indication
- 4 x 3-position travel direction switches (UP-OFF-DOWN)
- 4 x green LED lights indicating channel UP preselection
- 4 x white LED lights indicating channel DOWN preselection
- XLR 5-pole OUT Link panel socket
- XLR 5-pole IN Link + REMOTE panel socket
- 2x XLR 4-pole for load cell / limit switch / E-stop
- The unit is supplied with a 1 meter link cable XLR 5-pole male/female

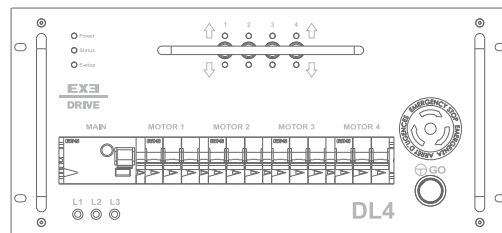
TECHNICAL SPECIFICATIONS

Power Supply:	1 plug CEE 230/400VAC 32A 6H 3 P+N+E with mechanical phase inverter
Outputs:	4 x CEE 400VAC 16A 6H 3 P+E panel sockets
Dimensions:	5U rack box 300mm depth
Weight:	21 kg / 46.3 lbs

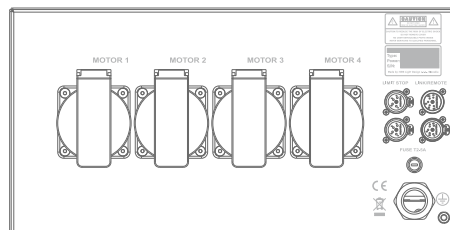
42



FRONT VIEW



BACK VIEW



XDDL4-LV 4-CHANNEL MULTILINK CONTROLLER

KEY FEATURES

- 3 Bicolor Led Light Green/Red for Phase Rotation indication 123 – 321 GFI 40A (30mA)
- 4 MCB 10A w/link functions between MCB and General Contactor for magneto-thermal Cut off
- 4 x direction contactor reversal
- Emergency Stop mushroom button
- White GO button with light indication
- 4 x 3-position travel direction switches (UP-OFF-DOWN)
- 4 x green LED lights indicating channel UP preselection
- 4 x white LED lights indicating channel DOWN preselection
- XLR 5-pole OUT Link panel socket
- XLR 5-pole IN Link + REMOTE panel socket
- 2x XLR 4-pole for load cell / limit switch / E-stop
- The unit is supplied with a 1 meter link cable XLR 5-pole male/female

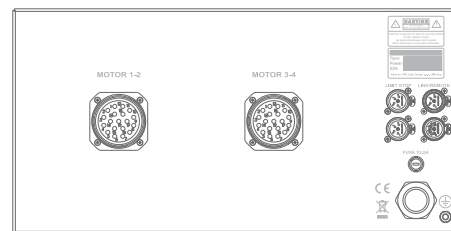
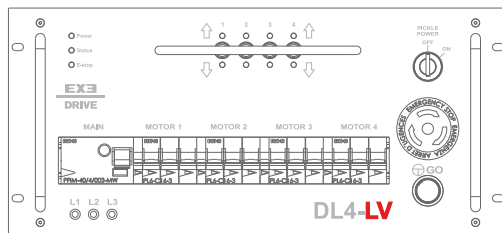
TECHNICAL SPECIFICATIONS

Power Supply:	1 plug CEE 230/400VAC 32A 6H 3 P+N+E with mechanical phase inverter
Outputs:	2 x 19 pin circular multi-pin female connector. Two channel power and 2 channel control per connector
Dimensions:	5U rack box 300mm depth
Weight:	21 kg / 46.3 lbs



FRONT VIEW

BACK VIEW



SPIDER-SOCAPEX TO CEE

This adapter is used to split the Multi-pin outlets out to 16amp power and control connectors to enable connection to chain hoists.

XDDL8 8-CHANNEL MULTILINK CONTROLLER

KEY FEATURES

- 3 Bicolor Led Light Green/Red for Phase Rotation indication 123 – 321 GFI 40A (30mA)
- 4 MCB 10A w/link functions between MCB and General Contactor for magneto-thermal Cut off
- 8 x direction contactor reversal
- Emergency Stop mushroom button
- White GO button with light indication
- 8 x 3-position travel direction switches (UP-OFF-DOWN)
- 8 x green LED lights indicating channel UP preselection
- 8 x white LED lights indicating channel DOWN preselection
- XLR 5-pole OUT Link panel socket
- XLR 5-pole IN Link + REMOTE panel socket
- 2x XLR 4-pole for load cell / limit switch / E-stop
- The unit is supplied with a 1 meter link cable XLR 5-pole male/female

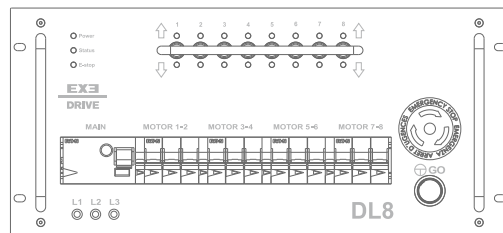
TECHNICAL SPECIFICATIONS

Power Supply:	1 plug CEE 230/400VAC 32A 6H 3 P+N+E with mechanical phase inverter
Outputs:	8 x CEE 400VAC 16A 6H 3 P+T panel sockets
Dimensions:	5U rack box 300mm depth
Weight:	25 kg / 55.1 lbs

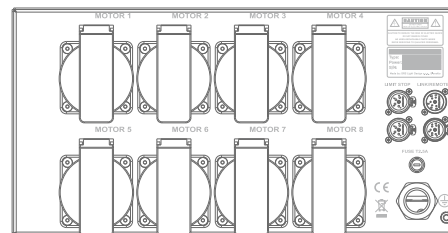
44



FRONT VIEW

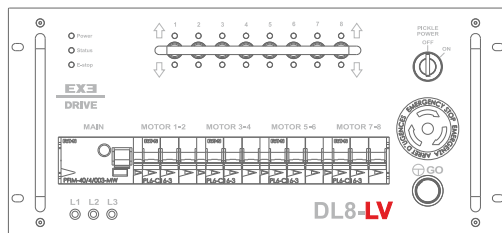


BACK VIEW

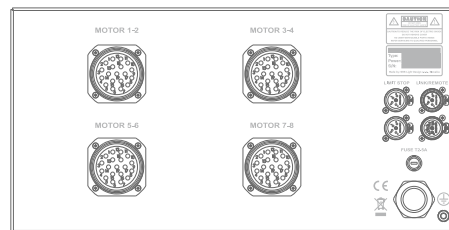




FRONT VIEW



BACK VIEW



XDDL8-LV 8-CHANNEL MULTILINK CONTROLLER

KEY FEATURES

- 3 Bicolor Led Light Green/Red for Phase Rotation indication 123 – 321 GFI 40A (30mA)
- 4 MCB 10A w/link functions between MCB and General Contactor for magneto-thermal Cut off
- Protection General Contactor
- 8 x direction contactor reversal
- Emergency Stop mushroom button
- White GO button (requires operator to be present) with light indication
- 8 x 3-position travel direction switches (UP-OFF-DOWN)
- 8 x green LED lights indicating channel UP preselection
- 8 x white LED lights indicating channel DOWN preselection
- XLR 5-pole OUT Link panel socket
- XLR 5-pole IN Link + REMOTE panel socket
- 2x XLR 4-pole for load cell / limit switch / E-stop
- The unit is supplied with a 1 meter link cable XLR 5-pole male/female

TECHNICAL SPECIFICATIONS

Power Supply:	1 mobile plug CEE 230/400VAC 32A 6H 3 P+N+E with mechanical phase inverter
Outputs:	4 x 19 pin circular multi-pin female connector: Two channel power and 2 channel control per connector
Dimensions:	5U rack box 300mm depth
Weight:	25 kg / 55.1 lbs



SPIDER-SOCAPEX TO CEE

This adapter is used to split the Multi-pin outlets out to 16amp power and control connectors to enable connection to chain hoists.

XDDL16
16-CHANNEL MULTILINK CONTROLLER

KEY FEATURES

- 3 Bicolor Led Light Green/Red for Phase Rotation indication 123 – 321
- GFI 40A (30mA)
- 8 MCB 10A w/link functions between MCB and General Contactor for magneto-thermal Cut off
- 16 x direction contactor reversal
- Emergency Stop mushroom button
- White GO button with light indication
- 16 x 3-position travel direction switches (UP-OFF-DOWN)
- 16 x green LED lights indicating channel UP preselection
- 16 x white LED lights indicating channel DOWN preselection
- XLR 5-pole OUT Link panel socket
- XLR 5-pole IN Link + REMOTE panel socket
- 2x XLR 4-pole for load cell / limit switch / E-stop
- The unit is supplied with a 2 meters link cable XLR 5-pole male/female

TECHNICAL SPECIFICATIONS

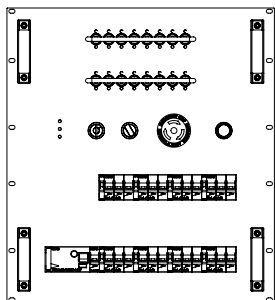
Power Supply:	1 plug CEE 230/400VAC 63A 6H 3 P+N+E with mechanical phase inverter
Outputs:	16 x CEE 400VAC 16A 6H 3 P+E panel sockets
Dimensions:	12U rack box 300mm depth
Weight:	44 kg / 97.0 lbs

46

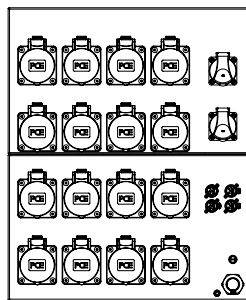
EXE
DRIVE



FRONT VIEW

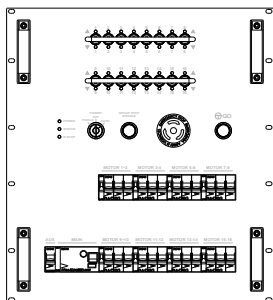


BACK VIEW

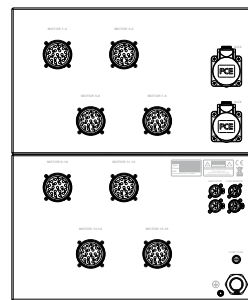




FRONT VIEW



BACK VIEW



XDDL16-LV
16-CHANNEL MULTILINK CONTROLLER

KEY FEATURES

- 3 Bicolor Led Light Green/Red for Phase Rotation indication 123 - 321 GFI 40A (30mA)
- 8 MCB 10A w/link functions between MCB and General Contactor for magneto-thermal Cut off
- 16 x direction contactor reversal
- Emergency Stop mushroom button
- White GO button with light indication
- 16 x 3-position travel direction switches (UP-OFF-DOWN)
- 16 x green LED lights indicating channel UP preselection
- 16 x white LED lights indicating channel DOWN preselection
- XLR 5-pole OUT Link panel socket
- XLR 5-pole IN Link + REMOTE panel socket
- 2x XLR 4-pole for load cell / limit switch / E-stop
- The unit is supplied with a 2 meters link cable XLR 5-pole male/female
- Pickle function

TECHNICAL SPECIFICATIONS

Power Supply:	1 plug CEE 230/400VAC 63A 6H 3 P+N+E with mechanical phase inverter
Outputs:	8 x 19 pin circular multi-pin female connector. Two channel power and 2 channel control per connector
Dimensions:	12U rack box 300mm depth
Weight:	44 kg / 97.0 lbs



SPIDER-SOCAPEX TO CEE

This adapter is used to split the Multi-pin outlets out to 16amp power and control connectors to enable connection to chain hoists.

XDDL24
24-CHANNEL MULTILINK CONTROLLER

KEY FEATURES

- 3 Bicolor Led Light Green/Red for Phase Rotation indication 123 - 321
- GFI 40A (30mA)
- 12 MCB 10A w/link functions between MCB and General Contactor for magneto-thermal Cut off
- 24 x direction contactor reversal
- Emergency Stop mushroom button
- White GO button with light indication
- 24 x 3-position travel direction switches (UP-OFF-DOWN)
- 24 x green LED lights indicating channel UP preselection
- 24 x white LED lights indicating channel DOWN preselection
- XLR 5-pole OUT Link panel socket
- XLR 5-pole IN Link + REMOTE panel socket
- 2x XLR 4-pole for load cell / limit switch / E-stop
- The unit is supplied with a 2 meters link cable XLR 5-pole male/female

TECHNICAL SPECIFICATIONS

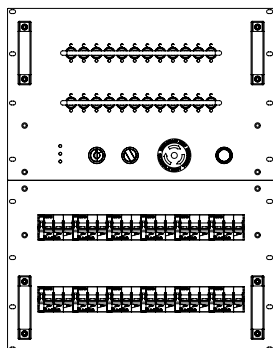
Power Supply:	1 plug CEE 230/400VAC 63A 6H 3 P+N+E with mechanical phase inverter
Outputs:	24 x CEE 400VAC 16A 6H 3 P+E panel sockets
Dimensions:	14U rack box 300mm depth
Weight:	47 kg / 103.6 lbs

48

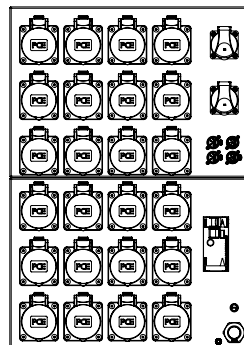
EXE
DRIVE



FRONT VIEW

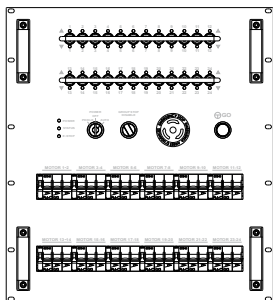


BACK VIEW

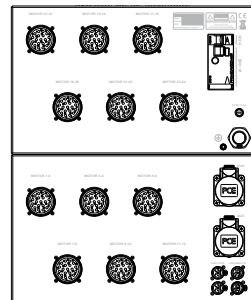




FRONT VIEW



BACK VIEW



XDDL24-LV
24-CHANNEL MULTILINK CONTROLLER

KEY FEATURES

- 3 Bicolor Led Light Green/Red for Phase Rotation indication 123 – 321
- GFI 40A (30mA)
- 12 MCB 10A w/link functions between MCB and General Contactor for magneto-thermal Cut off
- 24 x direction contactor reversal
- Emergency Stop mushroom button
- White GO button with light indication
- 24 x 3-position travel direction switches (UP-OFF-DOWN)
- 24 x green LED lights indicating channel UP preselection
- 24 x white LED lights indicating channel DOWN preselection
- XLR 5-pole OUT Link panel socket
- XLR 5-pole IN Link + REMOTE panel socket
- 2x XLR 4-pole for load cell / limit switch / E-stop
- The unit is supplied with a 2 meters link cable XLR 5-pole male/female
- Pickle function

TECHNICAL SPECIFICATIONS

Power Supply:	1 plug CEE 230/400VAC 63A 6H 3 P+N+E with mechanical phase inverter
Outputs:	12 x 19 pin circular multi-pin female connector: Two channel power and 2 channel control per connector
Dimensions:	12U rack box 300mm depth
Weight:	47 kg / 103.6 lbs



SPIDER-SOCAPEX TO CEE

This adapter is used to split the Multi-pin outlets out to 16amp power and control connectors to enable connection to chain hoists.



XDRHG

REMOTE EMERGENCY BUTTON STOP / GO

KEY FEATURES

Yellow double-isolated pendant push button in self-extinguishing thermoplastic material, applied only to XLR 5-pole OUT Link panel plug provided with the DL controllers

1 x Red Stop button

1 x White flashing LED to enable Go function from remote control

1 x Green Go button

Cable length: 15m

1 x XLR 5-pole socket connector



XDRHGR

REMOTE EMERGENCY BUTTON STOP / GO / REVERSE

KEY FEATURES

Yellow double-isolated pendant push button in self-extinguishing thermoplastic material, applied only to XRL 5-pole OUT Link panel plug provided with the DL controllers

1 x Red Stop mushroom button

1 x White flashing LED to enable Go function from remote control

1 x Green Go button

1 x White button for Reverse function

Cable length: 15m

1 x XLR 5-pole socket connector



XDRH4C

DIGITAL REMOTE CONTROL 4 CHANNELS

KEY FEATURES

Material:	Sturdy 2mm thick aluminium box, grey powder coated pendant push button
Dimensions:	22.5x10.6x9.5 cm 8.9x4.2x3.7 inch
Weight:	0.9 kg / 2.0 lbs
1 x Stop mushroom button	
White GO button with light indication	
4 x Direction switch with light indication	
4 Bicolor Green/White LED lights indicating channel UP / DOWN preselection	
Bicolor Green/Orange LED	
XLR5 pin male on body for cable connection, cable to be ordered separately	



XDRH8C

DIGITAL REMOTE CONTROL 8 CHANNELS

KEY FEATURES

Material:	Sturdy 2mm thick aluminium box, grey powder coated pendant push button
Dimensions:	29.0x10.6x9.5 cm 11.4x4.2x3.7 inch
Weight:	1.2 kg / 2.6 lbs
	1 x Stop mushroom button
	White GO button with light indication
	8 x Direction switch with light indication
	8 Bicolor Green/White LED lights indicating channel UP / DOWN preselection
	Bicolor Green/Orange LED
	XLR5 pin male on body for cable connection, cable to be ordered separately



XDRH16C

DIGITAL REMOTE CONTROL 16 CHANNELS

KEY FEATURES

Material:	Sturdy 2mm thick aluminium box, grey powder coated pendant push button
Dimensions:	29.5x20.0x9.5 cm 11.6x7.9x3.7 inch
Weight:	1.8 kg / 4.0 lbs
	1 x Stop mushroom button
	White GO button with light indication
	16 x Direction switch with light indication
	16 Bicolor Green/White LED lights indicating channel UP / DOWN preselection
	Bicolor Green/Orange LED
	XLR5 pin male on body for cable connection, cable to be ordered separately



XDRH24C

DIGITAL REMOTE CONTROL 24 CHANNELS

KEY FEATURES

Material:	Sturdy 2mm thick aluminium box, grey powder coated pendant push button
Dimensions:	36.5x20.0x9.5 cm 14.4x7.9x3.7 inch
Weight:	2.3 kg / 5.1 lbs
1 x Stop mushroom button	
White GO button with light indication	
24 x Direction switch with light indication	
24 Bicolor Green/White LED lights indicating channel UP / DOWN preselection	
Bicolor Green/Orange LED	
XLR5 pin male on body for cable connection, cable to be ordered separately	



XDSP2-LV

**BREAK-OUT ADAPTER MULTI-PITO
16A CEE**

KEY FEATURES

This adapter is required to split the 19 male pin Multi-pin outlets out to 16A CEE connectors to enable connection to chain hoists.

19 Pin circular multi-pin male connector

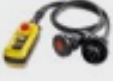












4 x 100cm long legs wired on 4G 1.5m/sq H07 RNF cable

CEE 16A 6h 400VAC - 3PH + G red socket

CEE 16A 6h 24VAC - 3PH + G yellow plug

CHAIN HOIST AND CONTROLLER COMPATIBILITY

EXE DRIVE COMPATIBILITY

EXE-DRIVE MOTOR CONTROLLER		△ D8				□ D8+				
		250kg	500kg	1000kg	2000kg	150kg	300kg	600kg	800kg	1200kg
 DH1	 DH2	✓	✓	✓	✓	✓	✓	✓	✓	✓
 XDDL4	 XDDL4-LV	✓	✓	✓	✓	✓	✓	✓	✓	✓
 XDDL8	 XDDL8-LV	✓	✓	✓	✗	✓	✓	✓	✓	✓
 XDDL16	 XDDL16-LV	✓	✓	✓	✗	✓	✓	✓	✓	✓
 XDDL24	 XDDL24-LV	✓	✓	✓	✗	✓	✓	✓	✗	✗
 Xddb4	 Xddb4-LV	✓	✓	✓	✗	✓	✓	✓	✓	✓
 Xddb8		✓	✓	✓	✗	✓	✓	✓	✓	✓

The values in the table refer to the standard EXE-Drive Motor Controller.

On request, the EXE-Drive Motor Controllers can be customized. Contact our technical office for more information.

EXE
CELL

LOAD CELL INTERFACE

THE FIRST FULLY INTEGRATED
+ LOAD CELL INTERFACE

The EXE RISE LOAD CELL INTERFACE system works as standalone load cell reader, fully integrated in a chain hoist body to give riggers the possibility to see, in real time, the individual weight applied to the chain hoist during all rigging operations.

It is built around a self-powered electronic circuit board equipped with an LED display, built into a metal cover that can replace the standard end cover of the hoist. The circuit board is connected to a special body hook with integrated load cell reading system.

The electronics are designed to withstand shock loading typical with the environment the products are used in, and can handle working temperatures from -10 to +60 °C with points of humidity up to 90%.

04

LOAD CELL INTERFACE PRO

1648

LC-PRO CONFIGURATION



LC-NLP CONFIGURATION



EXE CELL

LC-PRO CONFIGURATION



LC-H2T CELL HOOK

KEY FEATURES

Load cell fully integrated into the hook plate assembly.
Solid and robust – Built to withstand the rigours of touring.
Easy to upgrade from a standard hook. Simply fixed in place using two bolts.
Cable from load cell to display is routed inside the hoist for additional durability.
No loss of headroom compared with external load cell systems.



LC-PRO4 CELL DISPLAY

KEY FEATURES

Calibration of loadcell via link connectors for easy setup without dismantling the hoist.
Two panel display, one to show 4-DIGIT weight (132 x 47 mm) and a second 2-DIGIT display (45 x 39 mm) has the possibility to select between pounds or kilograms. Both displays are mounted behind a durable polycarbonate protection screen.
Dual Color Multifunction display to show system calibration set up and real time weight loading, with adjustable brightness and auto power off functions.
Automatic display reverse option to provide easy to read, clear display in either body up or body down operation. Backup power supply via battery.
Optional available a Li-Ion battery to mount inside the CELL DISPLAY that is able to power the load cell without using any external power supply via link cable connector, for more details please read the instruction manual.
"Zero" value setting (Tare) function, shows the weight of the suspended load only and not the self-weight of the hoist. Double load /sleeve block/ reading setting. Setting over and under-load.



LC-PRO SOFTWARE

KEY FEATURES

Exe-Rise Chain Hoist Control System. EXE-CELL HCap software is free and very easy to use. It is possible to set maximum (overload) and minimum (underload) load limits for each hoist directly from the PC interface. If the load monitoring detects a hoist that reaches one of these pre-set limits the hoists will stop. In addition to this, you can also set a lesser load value than the maximum and minimum limits that will act as a visual warning that the system is approaching the pre-set cut out points.

CHAIN HOISTS COMPATIBILITY CHART

LOW VOLTAGE CONTROL

DIRECT CONTROL

△ D8

□ D8+

△ D8

□ D8+



D8 1000kg/2205lbs LVC



D8+ 600kg/1323lbs LVC



D8 2000kg/4409lbs LVC



D8+ 1200kg/2646lbs LVC



D8 1000kg/2205lbs DC



D8 2000kg/4409lbs DC



D8+ 600kg/1323lbs DC



D8+ 800kg/1764lbs DC



D8+ 1200kg/2646lbs DC

EXE CELL
COMPATIBILITY
CHART

* With chain 7x22 mm.

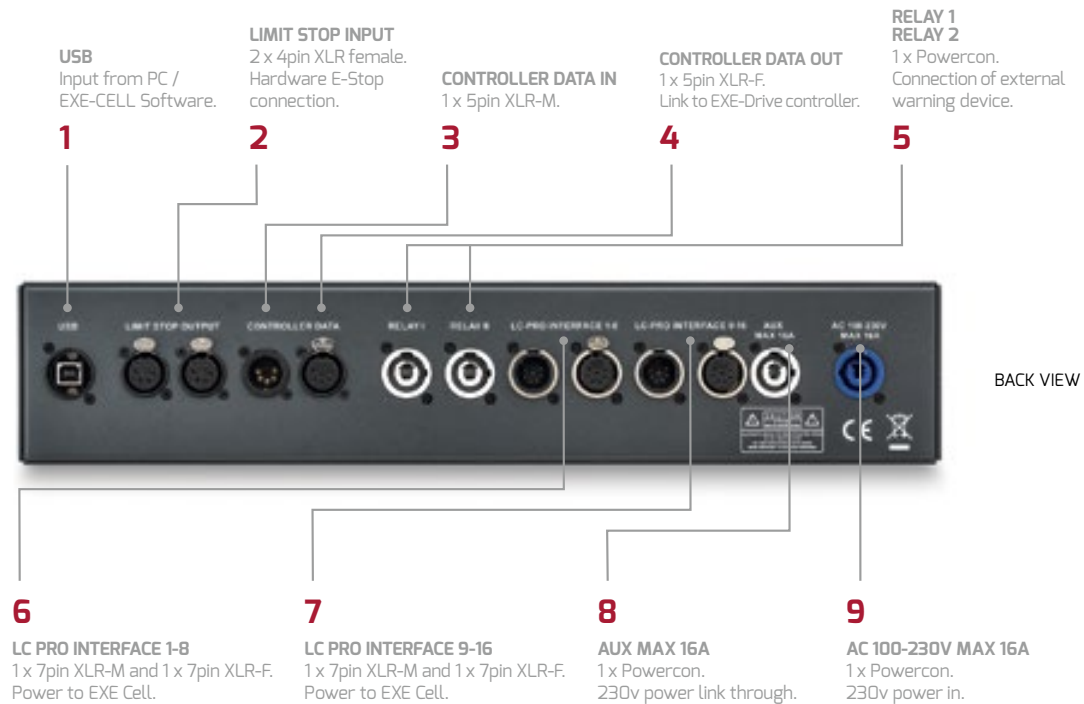


EXE-CELL HCapp
Software is free and very easy to use.



62

EXE
CELL



LC-CB16 CELL BOOSTER

KEY FEATURES

Powers up to 16 EXE-Cell Pro Interface modules via two 7 Pin XLR output lines.
Rack mountable – 2U.

Front panel includes Data and Power on LED indicator lights.

1 x Emergency Stop mushroom button.

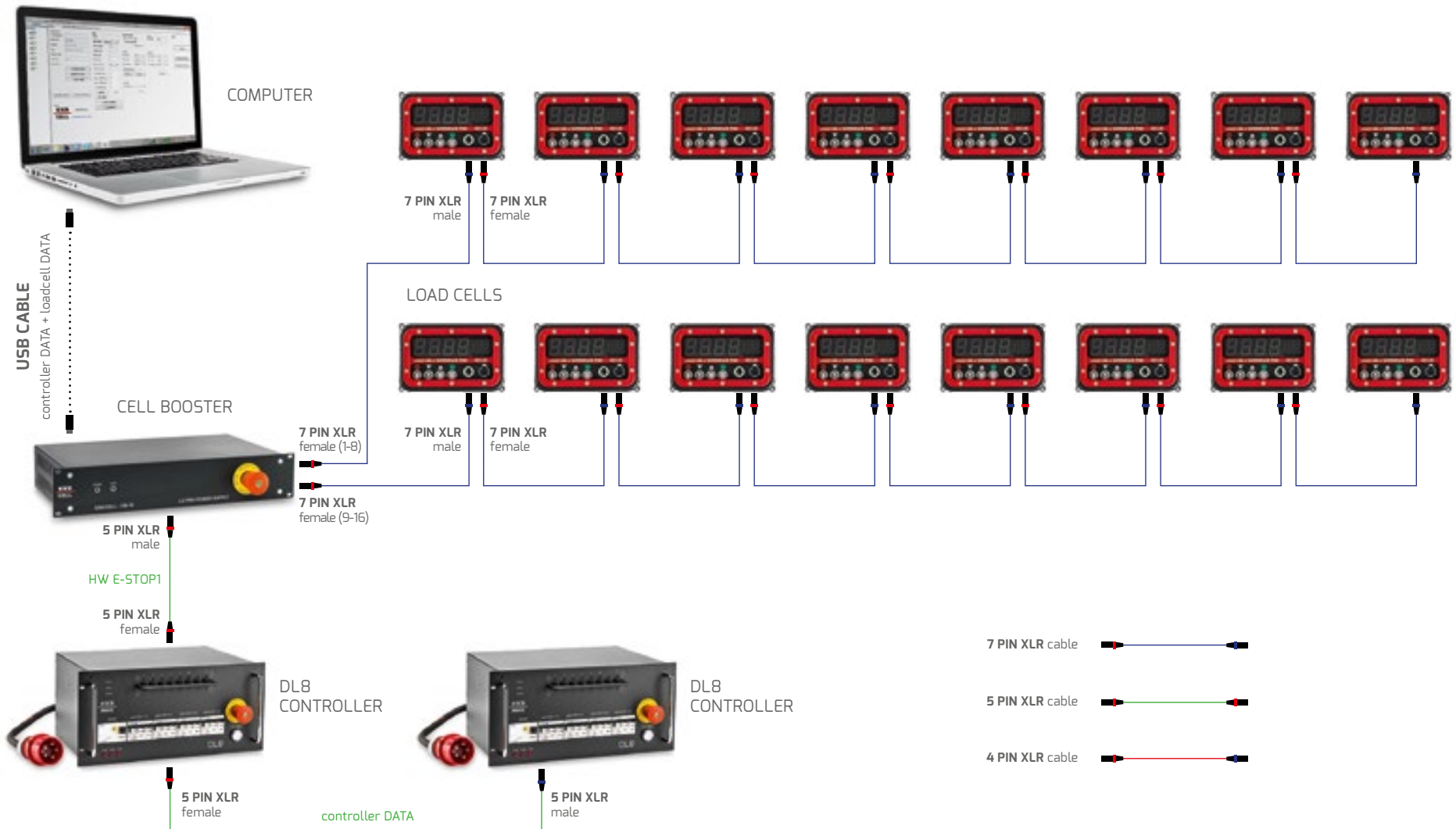
Power inlet and Auxiliary out via Powercon connectors on rear (16amp Max).
Auto Sensing Voltage Selector.

Can be connected to EXE-Drive controllers and linked to activate E-stop network in case of Over/Under load.

Multiple Boosters and EXE-Drive units can be linked together.
Max 64 channels on one network

2 x Powercon relay outputs on rear.
These can be used to trigger flashing beacons or audible sounders as an additional warning in case of Over/Underload.

16 LOAD CELLS



EX3
CELL

LC-NLP
CONFIGURATION



T20A CELL SHACKLE 7.5t

KEY FEATURES

High quality load cell sensors using advanced technology to measure tension forces in heavy load scenarios up to 7.5t.

Designed to be used with standard shackles makes this system versatile and easy to use.

To be used with NLP Software.



LC-PRO SOFTWARE

KEY FEATURES

Network Loadcell Processor software is NLP Loadcell Shackle's powerful system load monitoring software.

It is highly reliable and quick and easy to use; and is supplied included in the NLP16 package.

It is possible to set both maximum (overload) and minimum (underload) load limits for each cell, plus the maximum and minimum warning levels.

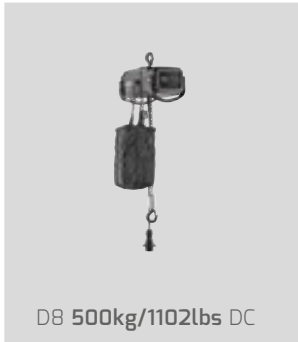
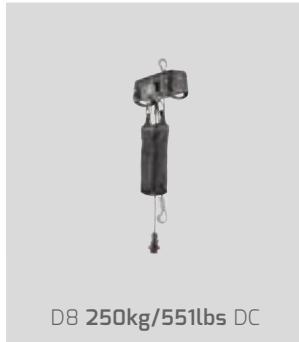
64

EXE
CELL

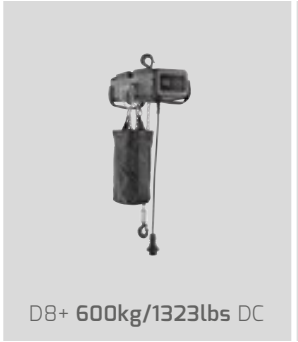
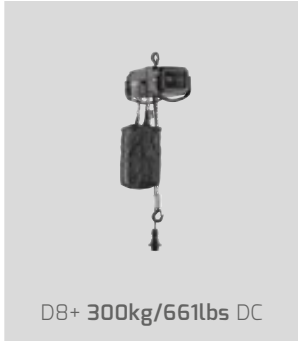
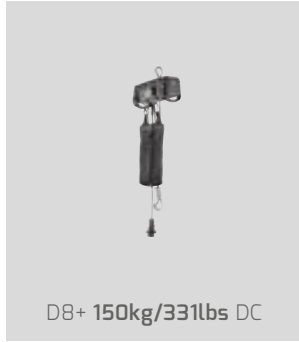
CHAIN HOISTS COMPATIBILITY CHART

DIRECT CONTROL

△ D8

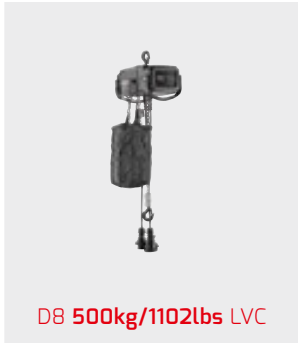


□ D8+

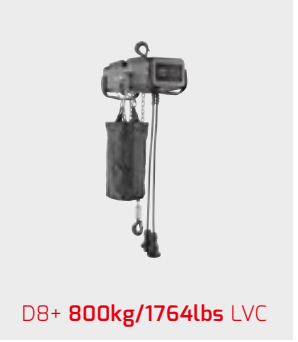
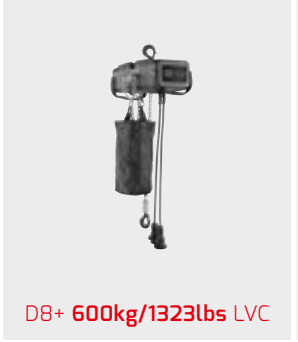
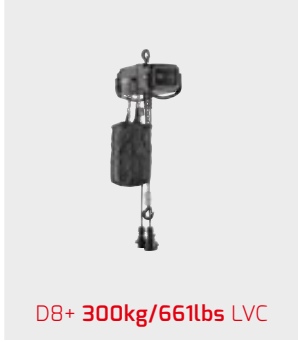
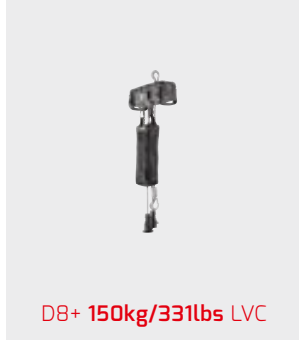


LOW VOLTAGE CONTROL

△ D8



□ D8+



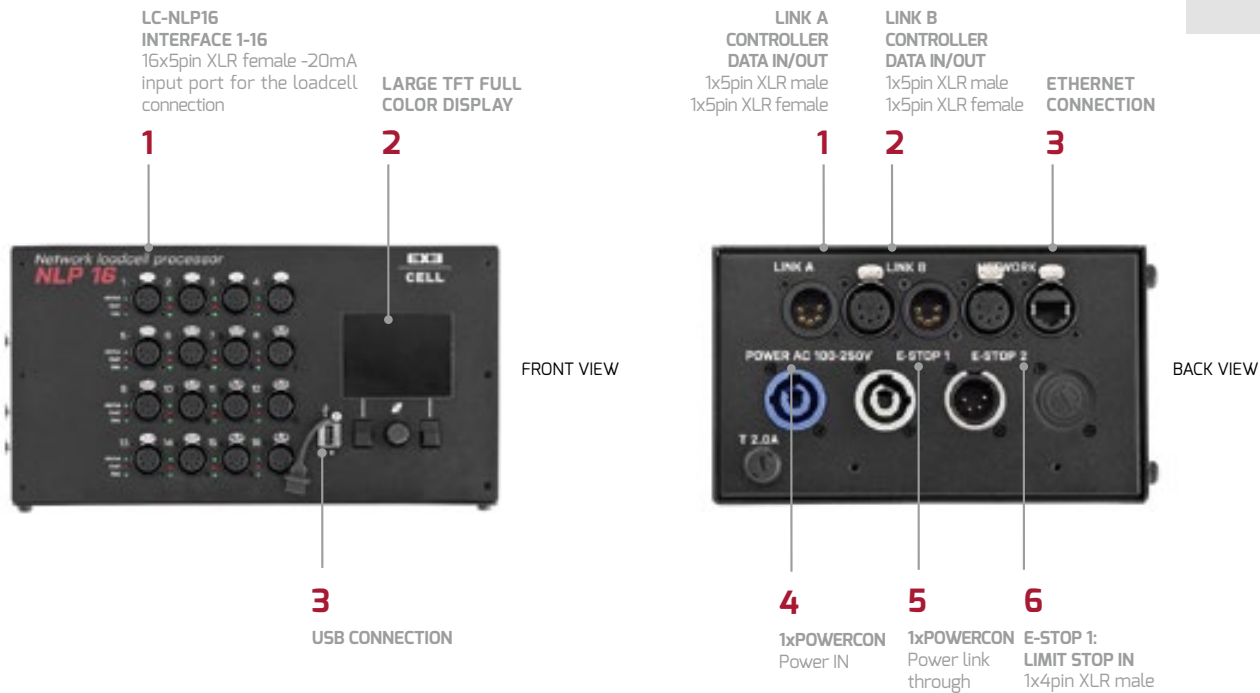
EXE CELL
COMPATIBILITY
CHART

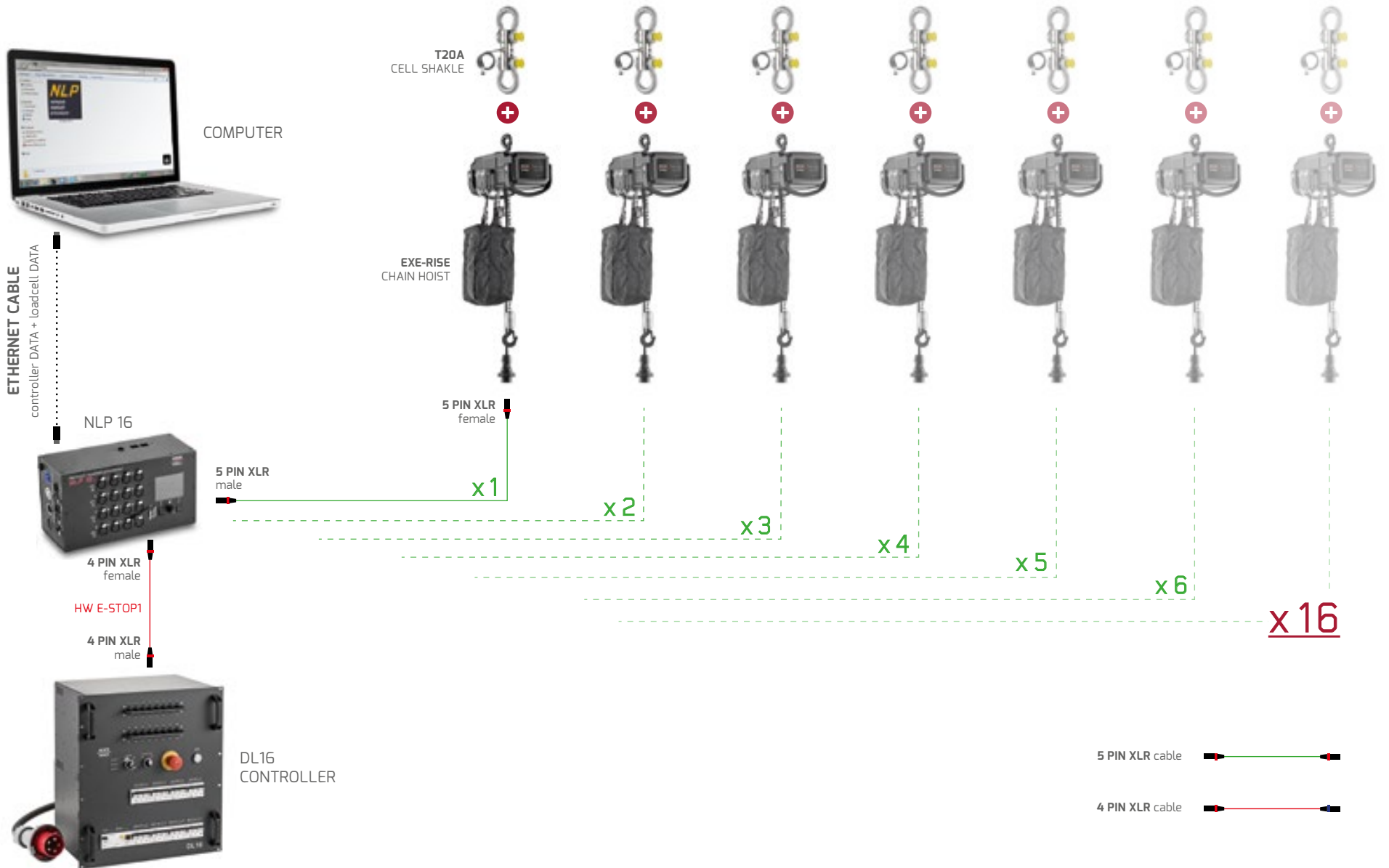


LC-NLP16
NETWORK LOAD PROCESSOR

KEY FEATURES

The NLP16 is easy-to-use and user-friendly device developed by riggers. The NLP is a main unit that reads values from analog loadcell shackles with 4-20mA output and features the direct e-stop output for rigging systems. A front TFT color panel display allows the viewing of loads and groups without needing an external PC while the universal power supply allows the system to be used worldwide. The NLP can work as a fully independent part of rigging setup.





DYNAMIC STACK TRACKS

FLEXIBILITY
+ & STABILITY

Multi-purpose built-in rail systems with modules that can move LED screens, scenery and lights. They are easily used since they are modular and stackable for storage. Several models are available, the 52 version for heavy duty applications. The modules may be managed with the most common control systems on the market.

The possible movements are horizontal (right-left and left-to-right), vertical (up-down and down-up) and 360° rotation, clockwise and counter-clockwise (only in the 52 version).



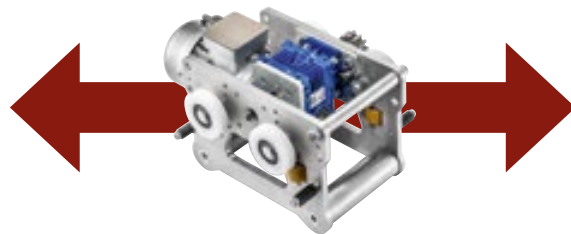
05

The system can be used in various applications to **move**, **lift** and **turn** LED screens, scenery and projection screens for concerts and other events.



TRUSSES

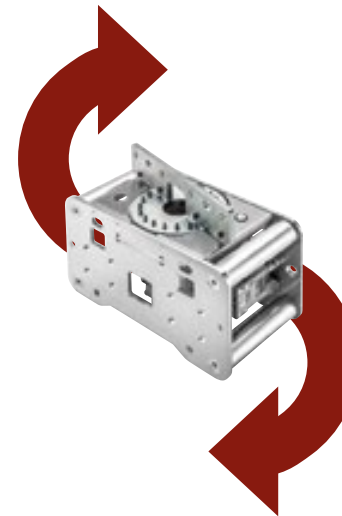
MOVE
HORIZONTAL



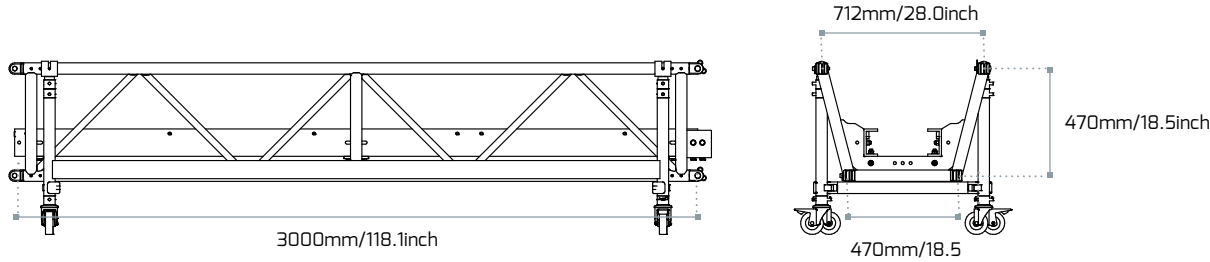
LIFT
VERTICAL



TURN
360° CONTINUOUS ROTATION



MODULES



LOAD TABLE / FORK CONNECTION

SPAN m	UNIF. DISTRIBUTED LOAD			CENTRE POINT LOAD			THIRD POINT LOAD			QUARTER POINT LOAD			FIFTH POINT LOAD		
	point load kg/m	full load kg	central deflection mm	point load kg	full load kg	central deflection mm	point load kg	full load kg	central deflection mm	point load kg	full load kg	central deflection mm	point load kg	full load kg	central deflection mm
3	1760	5290	2	4410	4410	3	2640	5290	3	1760	5290	3	1320	5290	3
6	725	4350	14	2180	2180	11	1640	3270	14	1090	3260	13	907	3630	14
9	315	2830	31	1420	1420	25	1070	2140	32	708	2120	30	591	2370	32
12	171	2050	56	1030	1030	45	777	1550	57	513	1540	53	429	1720	56
15	105	1570	87	784	784	71	597	1190	90	392	1180	83	329	1310	88
18	68	1230	125	616	616	104	472	945	130	308	924	120	259	1040	127
21	47	980	170	490	490	144	380	759	177	245	735	163	207	827	173
24	33	781	222	391	391	191	306	613	233	195	586	214	165	662	226
ft	lbs/ft	lbs	inch	lbs	lbs	inch	lbs	lbs	inch	lbs	lbs	inch	lbs	lbs	inch
9,8	1183	11662	0,1	9722	9722	0,1	5820	11662	0,1	3880	11662	0,1	2910	11662	0,1
19,7	487	9590	0,6	4806	4806	0,4	3616	7209	0,6	2403	7187	0,5	2000	8003	0,6
29,5	212	6239	1,2	3131	3131	1,0	2359	4718	1,3	1561	4674	1,2	1303	5225	1,3
39,4	115	4519	2,2	2271	2271	1,8	1713	3417	2,2	1131	3395	2,1	946	3792	2,2
49,2	71	3461	3,4	1728	1728	2,8	1316	2623	3,5	864	2601	3,3	725	2888	3,5
59,1	46	2712	4,9	1358	1358	4,1	1041	2083	5,1	679	2037	4,7	571	2293	5,0
68,9	32	2161	6,7	1080	1080	5,7	838	1673	7,0	540	1620	6,4	456	1823	6,8
78,7	22	1722	8,7	862	862	7,5	675	1351	9,2	430	1292	8,4	364	1459	8,9

CANTILEVER LOAD TABLE / FORK CONNECTION

SPAN	UNIFORMLY DISTRIBUTED LOAD			CENTRE POINT LOAD	
	q am.	q am.	defl.	F am.	defl.
3m/9.8ft	385 kg/m - 259 lbs/ft	1160kg / 2557lbs	4mm / 0.2inch	578kg / 1274lbs	6mm / 0.2inch
6m/19.7ft	86 kg/m - 58 lbs/ft	517kg / 1140lbs	18mm / 0.7inch	259kg / 571lbs	23mm / 0.9inch

The data listed in the above charts refer to the structural characteristics of the truss without the rail system modules.

DST 52 STACKING TRUSS

The system consists of a 52 stacking truss provided with a double track and a foldable dolly. It is also available with a double track without a dolly.

The system, which is modular and very easy to assemble, features a motorised, a slave and a rotation trolley (furnished with a fifth wheel). It is made in dark grey to absorb light, but other colours are available on request.

MAIN CHARACTERISTICS

Stackable

May be brought on the stage with their dolly, which folds upward without the need of being stored when the truss works

Easily assembled with the trolley which can be mounted even before rigging activities

Accessories can be used on straight and curved tracks

All trolleys can run on straight and curved tracks

They can be used in various applications to move, lift and turn LED screens, scenery and projectable panels, such as like concerts and other events in general

Load table has been prepared in accordance with UNI ENV 1999-1-1 (Eurocode 9).

The values shown in the table are the allowable static loads that can be applied to the truss. The self weight of the truss has been taken into account when calculating the values in the table.

It should be noted that this are idealised loading conditions and the User shall re-analyze the truss for the loading conditions which prevail for the application being considered.

STK52R TRUSS



LITEC CODE	LENGHT (cm/inch)	WEIGHT (kg/lbs)
STK52R100	100/39.4	38,0/83.0
STK52R150	150/59.1	51,0/112.4
STK52R300	300/118.1	88,1/194.2

STK52RT TRUSS



LITEC CODE	LENGHT (cm/inch)	WEIGHT (kg/lbs)
STK52RT100	100/39.4	54,4/119.9
STK52RT150	150/59.1	69,9/154.1
STK52RT300	300/118.1	116,6/225.1

STK52RC TRUSS



LITEC CODE	LENGHT MIN (cm/inch)	RADIUS MIN (cm)
STK52RC	≤300/118.1	≥400/157.5

MOTORISED TROLLEY

STK52MT	50 Hz
<i>Self-Weight</i>	15,5 kg / 34 lbs
<i>Load Capacity</i>	600 kg / 1323 lbs
<i>Speed</i>	10,17 m/min / 33.4 ft/min
<i>Power</i>	0,25 kW
<i>Volt</i>	400 V
<i>Ampere</i>	0,91 A

STK52MT3	50 Hz
<i>Self-weight</i>	15,5 kg / 34 lbs
<i>Load Capacity</i>	600 kg / 1323 lbs
<i>Speed</i>	20,42 m/min / 67.0 ft/min
<i>Power</i>	0,37 kW
<i>Volt</i>	400 V
<i>Ampere</i>	1,05 A

MOTORISED ROTATION 360°

STK52MR3	50 Hz
<i>Self-Weight</i>	20 kg / 44 lbs
<i>Load Capacity</i>	900 kg / 1984 lbs
<i>Speed</i>	5,65 rpm
<i>Power</i>	0,25 kW
<i>Volt</i>	400 V
<i>Ampere</i>	0,91 A

SLAVE TROLLEY

STK52MS	
<i>Self-Weight</i>	7 kg / 15 lbs
<i>Load Capacity</i>	600 kg / 1323 lbs

CABLE CARRIAGE

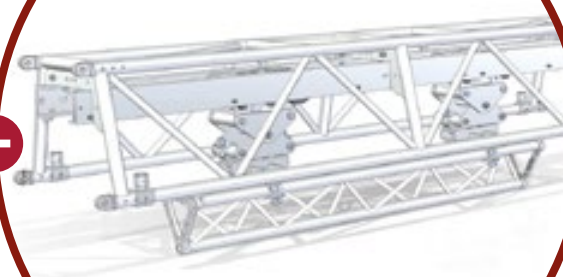
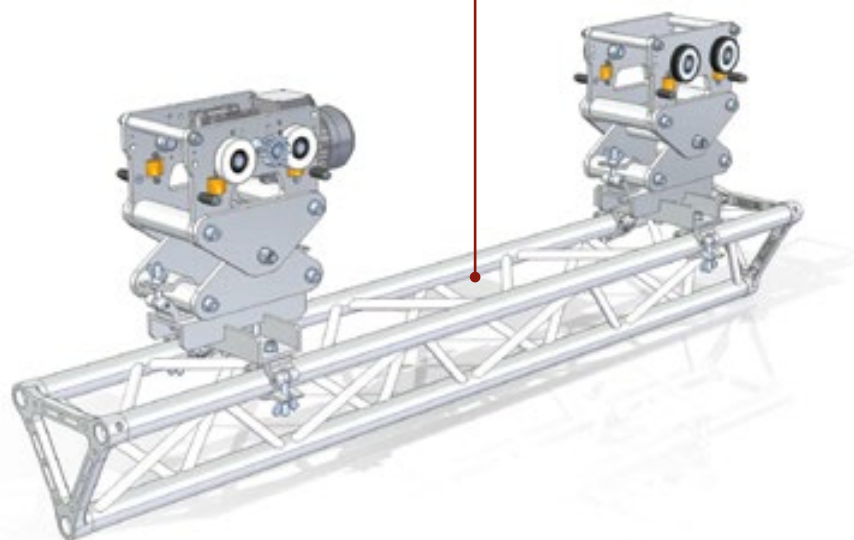
STK52MC	
<i>Self-Weight</i>	1,3 kg / 2.9 lbs
<i>Load Capacity</i>	100 kg / 220 lbs

CABLE CARRIAGE WITH HINGE

STK52MCH	
<i>Self-Weight</i>	2,4 kg / 5.3 lbs
<i>Load Capacity</i>	100 kg / 220 lbs

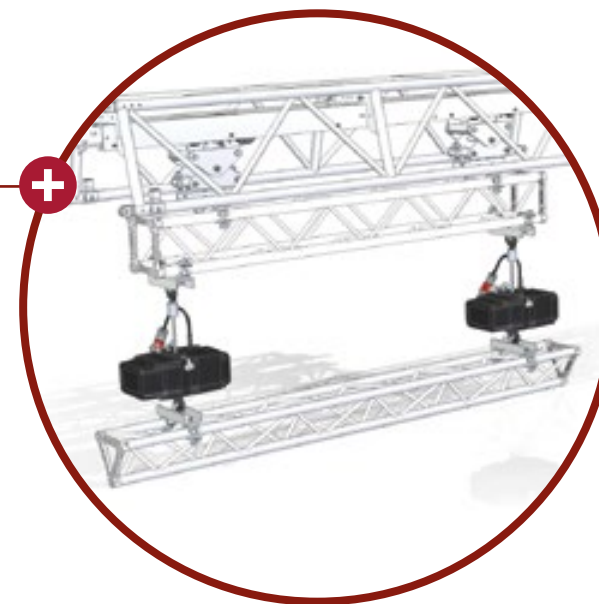
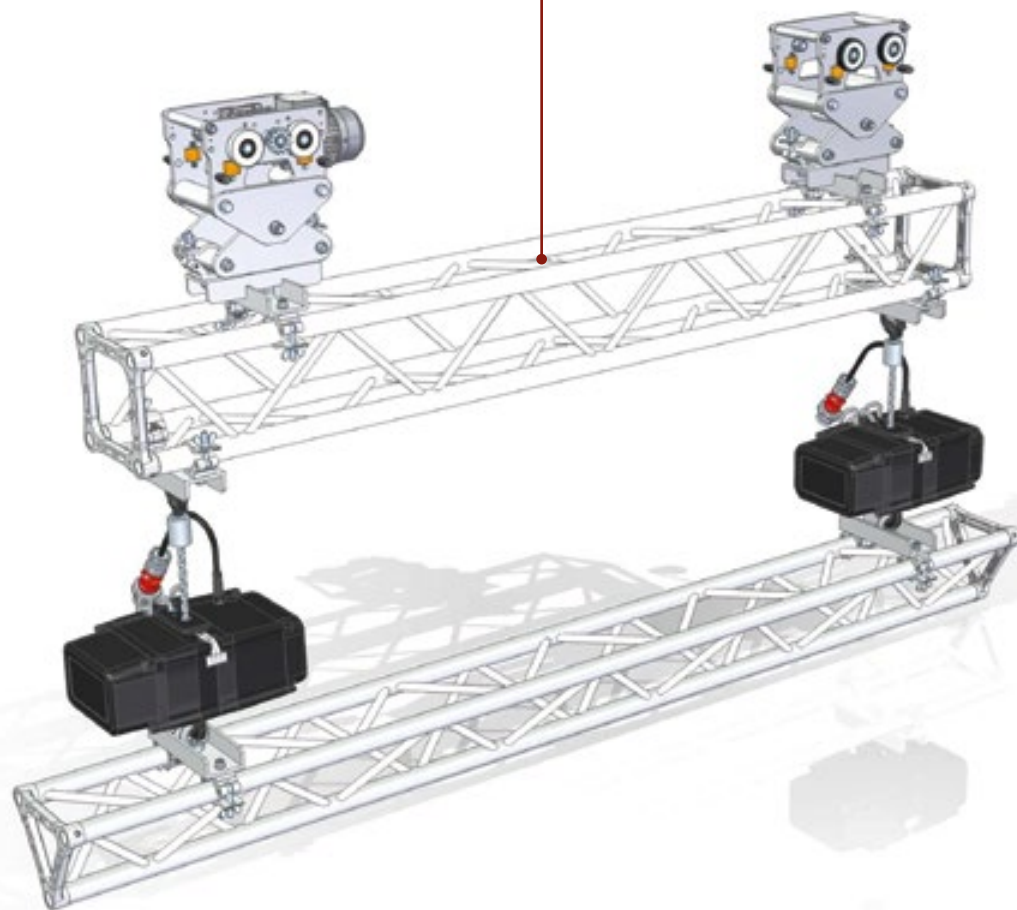
A technical line drawing of a mechanical assembly, possibly a motorized actuator or a robotic joint. The drawing shows a rectangular housing with a motor on the right side. Inside the housing, there are two gears of different sizes meshed together. The assembly is mounted on a base plate with several mounting holes. Below the main assembly, there is a complex structure of beams and supports, likely representing a robot's chassis or a larger mechanical frame. The entire drawing is rendered in a dark red color on a black background.

CONFIGURATION EXAMPLES



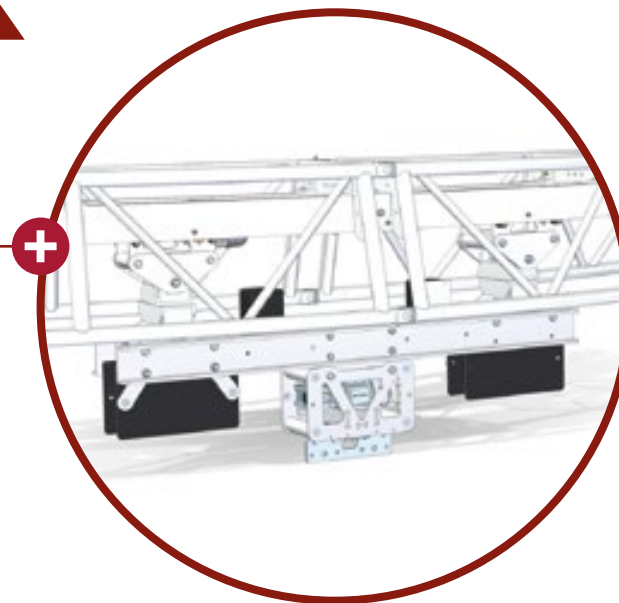
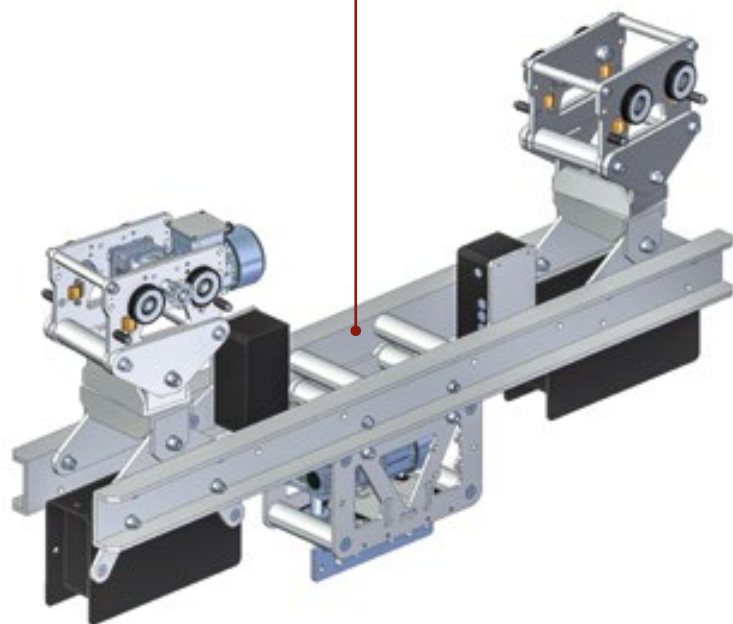
ELEMENTS

- 1 **STK52MT** MOTORISED TROLLEY MODULE
- 1 **STK52MS** SLAVE TROLLEY MODULE
- 2 **STK52-K013** HANGING KIT FOR STK52MS
- 2 **C030Z5** DUOBLE BAR HOOK FOR TRUSS 30cm
- 1 **TH305A (o TX305A)** TRIANGULAR TRUSS 30cm



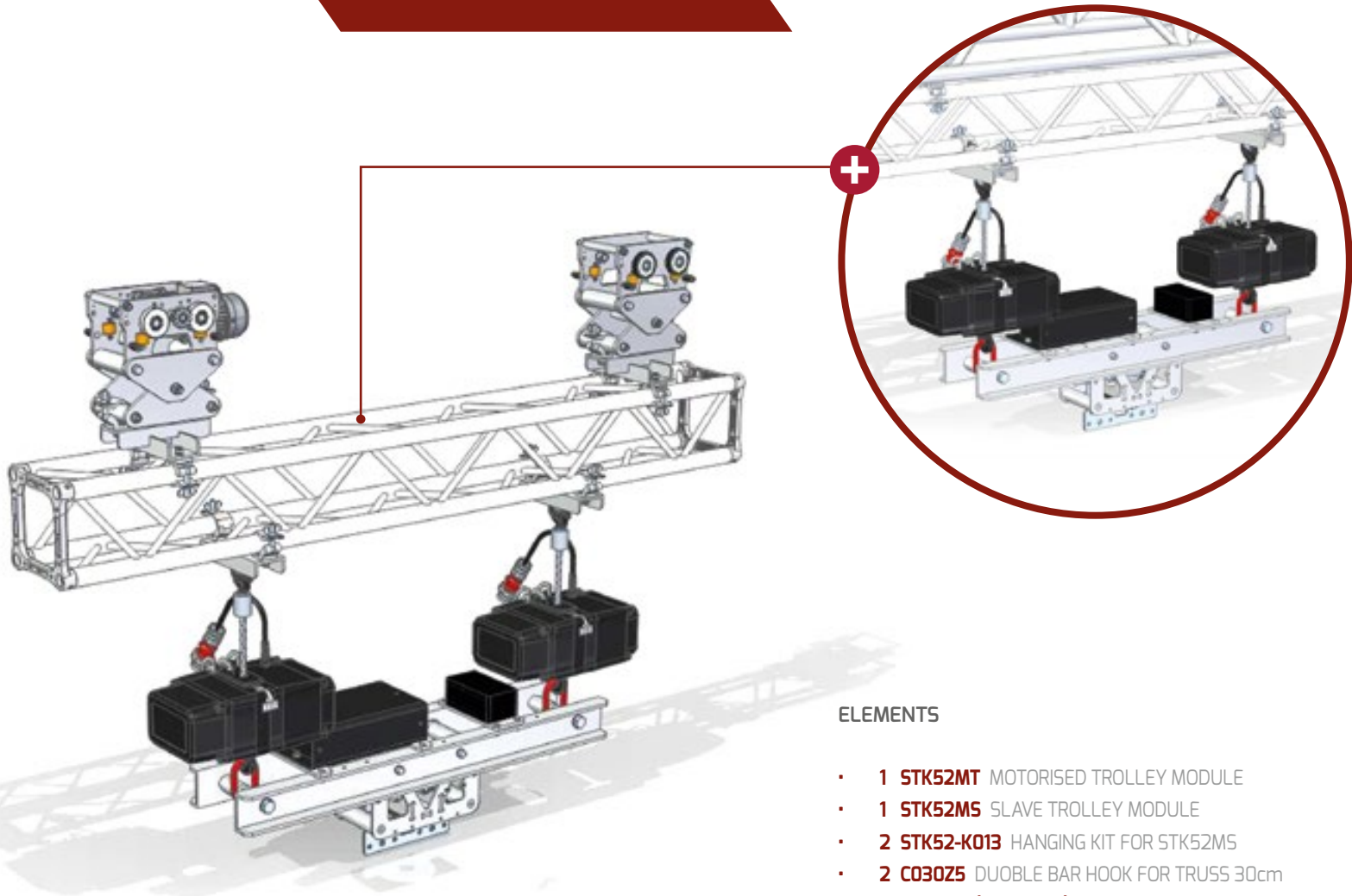
ELEMENTS

- 1 **STK52MT** MOTORISED TROLLEY MODULE
- 1 **STK52MS** SLAVE TROLLEY MODULE
- 2 **STK52-K013** HANGING KIT FOR STK52MS
- 2 **C030Z5** DUOBLE BAR HOOK FOR TRUSS 30cm
- 1 **QH30SA (o QX30SA)** SQUARE TRUSS 30cm
- 4 **C030** BAR HOOK FOR TRUSS 30cm
- 2 **EXE-RISE** CHAIN HOIST
- 1 **TH30SA (o TX30SA)** TRIANGULAR TRUSS 30cm



ELEMENTS

- 1 **STK52MST175** COUPLING ELEMENTS
- 1 **STK52MT** MOTORISED TROLLEY MODULE
- 1 **STK52MS** SLAVE TROLLEY MODULE
- 1 **STK52MR** ROTATION MODULE 360°
- 1 **STK52MAR** ROTATION ADAPT



ELEMENTS

- 1 **STK52MT** MOTORISED TROLLEY MODULE
- 1 **STK52MS** SLAVE TROLLEY MODULE
- 2 **STK52-K013** HANGING KIT FOR STK52MS
- 2 **C030Z5** DUOBLE BAR HOOK FOR TRUSS 30cm
- 1 **QH305A (o QX305A)** SQUARE TRUSS 30cm
- 2 **C030** BAR HOOK FOR TRUSS 30cm
- 2 **EXE-RISE** CHAIN HOIST
- 1 **STK52MR140Z1** COUPLING BAR FOR ROTATION MODULE
- 1 **STK52MR3** ROTATION MODULE 360°



The company reserves the right to make any variation in design or construction to the equipment described without notice.

Concept: **claim.brandindustry**





EXE TECHNOLOGY

Via Martin Luther King, 70
Casale sul Sile (TV) - 31032 Italy

Tel.: +39 0422 997300
Fax: +39 0422 997399
info@exetechnology.com
www.exetechnology.com

MADE IN ITALY

A company within:

