

kITseries

RIGS
STACKS
ROCKS
ROLLS



CLAIR
BROTHERS

Page | 1

www.clairbrothers.com
One Clair Boulevard, Manheim, PA 17545
717.665.4000

KEY FEATURES

The kiT Series loudspeakers are full range, high output loudspeakers ideal for speech and music reproduction. The kiT12 and kiT15 are two of Clair Brothers most versatile full range speakers. Exceptional intelligibility, high output performance and durability make the kiT Series speakers excellent choices for virtually any indoor or outdoor application.



Multifunctional kiTseries Rigging Corners

accept a variety of specialized accessories

Neodymium Compression Driver

with patented "deep-drawn" diaphragm and "true-dome" optimized phase plug

Pair of Ergonomic Handles

for easy lifting

Lightweight Neodymium 12" or 15" Woofer

with distortion reducing shorting ring and a cast aluminum frame that encapsulates magnet motor assembly

12" - 500W average/1000W peak

15" - 700W average/1400W peak

Reflex Venturi Porting

for clean low-end to

63 Hz (kiT12) or 58 Hz (kiT15)

Baltic Birch Cabinet with durable polyurea coating

Rotatable Horn

90° x 40°

60° x 40°

Powder Coated Steel Grill

for protection and streamline design

Integrated Pole Mount(s)



kiT12



AUDIO SPECIFICATIONS

Loudspeaker Type	Mobile	Two-Way Active / Passive
Frequency Response (+/- 2dB)		63Hz-20kHz
Recommended Power Amplifier		1000-1200W @ 8 Ohms
Maximum Output	Cont. Peak	126 dB SPL 129 dB SPL
Drivers	LF HF	(1) 12 in. (304.8mm) (1) Exit 2 in. (50.8mm); VC diameter 3.0 (76.2mm)
Nominal Impedance	LF HF	8 Ohms 16 Ohms
Power Handling	LF HF	500W Cont. 150W Cont.
Dispersion	Nominal -6dB Optional	90° H x 40° V (Rotatable) 60° H x 40° V (Rotatable)
Input Connections	Standard Install Option	(2) EP-4 Connectors (1 Male, 1 Female) & (1) Four-Position Terminal Strip (1) Four-Position Terminal Strip

MECHANICAL SPECIFICATIONS

Enclosure	Shell Finish	18mm, 13-Ply Baltic Birch Durable Polyurea Coating
Rigging		kiT Rigging Corners
Grille		Perforated Steel, Foam Backed
Dimensions	Height Front Width Rear Width Depth	28.13 in. (714.6mm) 14.80 in. (376.0mm) 7.75 in. (197.0mm) 15.20 in. (385.0mm)
Weight		66 lbs. (29.9kg)
Shipping Weight		78 lbs. (35.4kg)

kiT15



AUDIO SPECIFICATIONS

Loudspeaker Type	Mobile	Two-Way Active / Passive
Frequency Response (+/- 2dB)		58Hz-20kHz
Recommended Power Amplifier		1000-1200W @ 8 Ohms
Maximum Output	Cont. Peak	128 dB SPL 131 dB SPL
Drivers	LF HF	(1) 15 in. (381mm) (1) Exit 2 in. (50.8mm); VC diameter 3.0 (76.2mm)
Nominal Impedance	LF HF	8 Ohms 16 Ohms
Power Handling	LF HF	700W Cont. 150W Cont.
Dispersion	Nominal -6dB Optional	90° H x 40° V (Rotatable) 60° H x 40° V (Rotatable)
Input Connections	Standard Install Option	(2) EP-4 Connectors (1 Male, 1 Female) & (1) Four-Position Terminal Strip (1) Four-Position Terminal Strip

MECHANICAL SPECIFICATIONS

Enclosure	Shell Finish	18mm, 13-Ply Baltic Birch Durable Polyurea Coating
Rigging		kiT Rigging Corners
Grille		Perforated Steel, Foam Backed
Dimensions	Height Front Width Rear Width Depth	28.13 in. (714.6mm) 17.70 in. (449.6mm) 8.30 in. (210.8mm) 15.25 in. (387.4mm)
Weight		76 lbs. (34.5kg)
Shipping Weight		89 lbs. (40.4kg)

kiT12+



AUDIO SPECIFICATIONS

Loudspeaker Type	Mobile	Two-Way Active
Frequency Response (+/- 2dB)	63Hz–20kHz	
Recommended Power Amplifier	1000–1200W @ 8 Ohms	
Maximum Output	Peak	129 dB SPL
Drivers	LF	(1) 12 in. (304.8mm)
	HF	(1) Exit 2 in. (50.8mm); VC diameter 3.0 (76.2mm)
Nominal Impedance	LF	8 Ohms
	HF	16 Ohms
Power Handling	LF	500W Cont.
	HF	150W Cont.
Dispersion	Standard	90° H x 40° V (Rotatable)
	Optional	60° H x 40° V (Rotatable)
Input Connections	Signal	(2) XLRConnectors (1 XLR-F In, 1 XLR-M Thru)
	Power	(2) PowerCon-20aConnectors (1 PowerIn, 1 PowerOut)

MECHANICAL SPECIFICATIONS

Enclosure	Shell	18mm, 13-Ply Baltic Birch
	Finish	Durable Polyurea Coating
Rigging	kiT Rigging Corners	
Grille	Perforated Steel, Foam Backed	
Dimensions	Height	28.13 in. (714.6mm)
	Front Width	14.80 in. (376.0mm)
	Rear Width	7.75 in. (197.0mm)
	Depth	15.20 in. (385.0mm)
Weight	65 lbs. (29.5kg)	
Shipping Weight	77 lbs. (34.9kg)	

kiT15+



AUDIO SPECIFICATIONS

Loudspeaker Type	Mobile	Two-Way Active
Frequency Response (+/- 2dB)	58Hz–20kHz	
Recommended Power Amplifier	1000–1200W @ 8 Ohms	
Maximum Output	Peak	131.5 dB SPL
Drivers	LF	(1) 15 in. (381mm)
	HF	(1) Exit 2 in. (50.8mm); VC diameter 3.0 (76.2mm)
Nominal Impedance	LF	8 Ohms
	HF	16 Ohms
Power Handling	LF	700W Cont.
	HF	150W Cont.
Dispersion	Standard	90° H x 40° V (Rotatable)
	Optional	60° H x 40° V (Rotatable)
Input Connections	Signal	(2) XLRConnectors (1 XLR-F In, 1 XLR-M Thru)
	Power	(2) PowerCon-20aConnectors (1 PowerIn, 1 PowerOut)

MECHANICAL SPECIFICATIONS

Enclosure	Shell	18mm, 13-Ply Baltic Birch
	Finish	Durable Polyurea Coating
Rigging	kiT Rigging Corners	
Grille	Perforated Steel, Foam Backed	
Dimensions	Height	28.13 in. (714.6mm)
	Front Width	17.70 in. (449.6mm)
	Rear Width	8.30 in. (210.8mm)
	Depth	15.25 in. (387.4mm)
Weight	74 lbs. (33.6kg)	
Shipping Weight	87 lbs. (39.5kg)	

kiTCURVE 12+



KEY FEATURES

- kiT Series enclosure design style and rigging system
- Curved Array Technology (CAT) Waveguide – CNC Machined Premium Grade Baltic Birch
- Dual 3" Dia. Diaphragm, Neodymium Compression Drivers – Pro Line Array Grade for superior vocal performance, non-fatiguing intelligibility
- 90° Horizontal x 15° Vertical Dispersion
- 12" Woofer in Reflex Enclosure with Venturi Porting
- 2 CH. 3200W (2x 1600W) Integrated Amplifier + DSP
- 4 Factory Presets for use in Array configurations
- 6 – Amp @ 120V per cabinet
- XLR & PowerCon In & Thru

SYSTEM CONFIGURATIONS

Pairs with kiT-Sub+ or kiT-Sub Mini+ (Electronically, acoustically and physically)

AUDIO SPECIFICATIONS

Loudspeaker Type	Mobile	Two-Way Active
Frequency Response (+/- 2dB)	51Hz–20kHz	
Recommended Power Amplifier	1000–1200W @ 8 Ohms	
Maximum Output	Cont.	131 dB SPL
	Peak	141 dB SPL
Drivers	LF	(1) 12 in. (304.8mm)
	HF	(2) Exit 1.4 in. (35.6mm) VC diameter 3.0 (76.2mm)
Nominal Impedance	LF	8 Ohms
	HF	8 Ohms
Power Handling	LF	700W Cont.
	HF	300W Cont.
Dispersion	Nominal -6dB	90° H x 15° V
Input Connections	Signal	(2) XLRConnectors (1 XLR-F In, 1 XLR-M Thru)
	Power	(2) PowerCon-20aConnectors (1 PowerIn, 1 PowerOut)

MECHANICAL SPECIFICATIONS

Enclosure	Shell	18mm, 13-Ply Baltic Birch
	Finish	Durable Polyurea Coating
Rigging	kiT Rigging Corners	
Grille	Perforated Steel, Foam Backed	
Dimensions	Height	28.13 in. (714.6mm)
	Front Width	14.80 in. (376.0mm)
	Rear Width	7.75 in. (197.0mm)
	Depth	15.20 in. (385.0mm)
Weight	66 lbs. (29.9kg)	
Shipping Weight	83 lbs. (37.6kg)	



kiTCURVE12+ on kiT-Sub+

GROUND STACK

- Up to 2x cabinets stacked



kiTCURVE12+ on kiT-Sub-mini+

POLE MOUNT

- Pole Mountable (Dual Angle – 2 pole mount sockets)
- Up to 2x cabinets on Pole Mount



(2x) kiTCURVE12+

FLOWN APPLICATIONS

- Flyware available for single or multiple cabinet arrays.
- Up to 6x cabinet array for total 90° vertical dispersion
- Flies with companion kiTSub+ or kiT-Sub-Mini+

kiT-Sub+



AUDIO SPECIFICATIONS

Loudspeaker Type	Single Driver Powered Sub / Bass	
Frequency Response (+/- 2dB)	Single Cabinet (+/- 2dB)	41Hz-250Hz
Recommended Power Amplifier	2000-3500W @ 8 Ohms	
Maximum Output	Cont.	134 dB SPL
	Peak	137 dB SPL
Drivers	LF	(1) 18 in. (457.2mm)
Nominal Impedance	4 Ohms	
Power Handling	Cont.	1600 W
	Peak	3200 W
Input Connections	Signal	(2) XLRConnectors (1 XLR-F In, 1 XLR-M Thru)
	Power	(2) PowerCon-20aConnectors (1 PowerIn, 1 PowerOut)

MECHANICAL SPECIFICATIONS

Enclosure	Shell	18mm Baltic Birch
	Finish	Polyurea Black
Rigging	kiT Rigging Slot on (4) Corners	
Grille	Powder Coated Steel	
Dimensions	Height	30.13 in. (765.3mm)
	Width	28.13 in. (714.6mm)
	Depth	22.44 in. (570.0mm)
Weight	151 lbs. (68.5kg)	
Shipping Weight	160 lbs. (72.6kg)	

kiT-Sub-mini+



AUDIO SPECIFICATIONS

Loudspeaker Type	Single Driver Powered Sub / Bass	
Frequency Response (+/- 2dB)	Single Cabinet (+/- 2dB)	41Hz-250Hz
Recommended Power Amplifier	2000-3500W @ 8 Ohms	
Maximum Output	Cont.	132 dB SPL
	Peak	135 dB SPL
Drivers	LF	(1) 18 in. (457.2mm)
Nominal Impedance	4 Ohms	
Power Handling	Cont.	1600 W
	Peak	3200 W
Input Connections	Signal	(2) XLRConnectors (1 XLR-F In, 1 XLR-M Thru)
	Power	(2) PowerCon-20aConnectors (1 PowerIn, 1 PowerOut)

MECHANICAL SPECIFICATIONS

Enclosure	Shell	18mm Baltic Birch
	Finish	Polyurea Black
Rigging	kiT Rigging Slot on (4) Corners	
Grille	Powder Coated Steel	
Dimensions	Height	28.13 in. (714.6mm)
	Width	23.82 in. (605.0mm)
	Depth	22.44 in. (570.0mm)
Weight	135 lbs. (61.2kg)	
Shipping Weight	145 lbs. (65.8kg)	

VERSATILITY AT YOUR FINGERTIPS

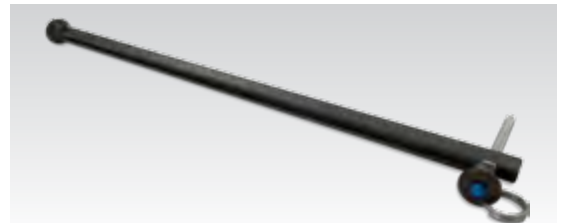


Coupling Link Detail



kiT Series Top Bar

kiT Top Bars derive their origin from the classic Clair rigging featured on the world renowned S4 and R4 systems. A pair of top bars slide into kiT Corners in either vertical or horizontal orientations. 1/2" shackles connect directly to one of the seven holes to achieve the desired hang angle.



kiT Series Coupling Link

kiT Coupling Links offer a simple, aesthetically pleasing method of creating a tight trap-pack of pairs of kiT Series cabinets. Quick release pins or bolts assemblies are used at the rear to lock for mobile or install applications, respectively.



kiT Series Mounting Bracket

Compatible with kiT12, kiT12+, kiT15, kiT15+, the kiT-MB offers rigid mounting option to surface or ceiling mount kiT Point Source products. The speaker tilt range is greater than 90°.

STACKING ACCESSORIES



Pole Fixed Length, M20/Ring Lock, kiT Series

Ring Lock on Top, M20 Thread on Bottom to connect to Subwoofer.

Height:
2' 10" (0.88m)

(Single Unit) PN 10702

(Pairing + Carrying Case) PN 10708



Pole Adjustable Length, M20/ Ring Lock, kiT Series

Ring Lock on Top, M20 Thread on Bottom to connect to Subwoofer.

Adjustable Height:
3'7" to 5'10" (1.1 to 1.8M)

(Single Unit) PN 10703

(Pairing + Carrying Case) PN 9815



Pole with Hand Crank, M20/ Ring Lock, kiT Series

Ring Lock on Top, M20 Thread on Bottom to connect to Subwoofer.

Hand Crank Adjustable Height:
3' to 4' 11" (.92m to 1.5m)

(Single Unit) PN 10704

(Pairing + Carrying Case) PN 10709



Tripod Stand, Ring Lock, kiT Series

Ring Lock on Top, Tripod on Bottom.

Adjustable Height:
4' 3" to 6' 9" (1.3m to 2.1m)

(Single Unit) PN 10705

(Pairing + Carrying Case) PN 10659



Adaptor Sleeve, Standard Pole to 0° Ring Lock, kiT Series

Adapt any standard (1 3/8" or 35mm) speaker stand to a Ring Lock, straight 0°

(Single Unit) PN 10706



Tilt Adaptor Sleeve, Standard Pole to 15° Tilt Ring Lock, kiT Series

Adapt any standard (1 3/8" or 35mm) speaker stand to a Ring Lock, Variable Tilt 0°-15°

(Single Unit) PN 10707

RIGGING CONFIGURATIONS

Our team of design engineers developed an elegant rigging system that provides ultimate versatility and configurability while maintaining ease-of-use to end-users with a minimal amount of additional accessories required for deployment.

Note: Examples shown below apply to kiT12, kiT12+, kiT15, kiT15+, and kiTCURVE. Additional accessories are available for rigging kiT Full Range products to kiT Subs.



SINGLE CABINET VERTICAL HANG



Accessories Needed:

- (2) kiT Top Bars
- (2) 1/2" Shackles



SINGLE CABINET HORIZONTAL HANG



Accessories Needed:

- (2) kiT Top Bars
- (2) 1/2" Shackles



DOUBLE CABINET VERTICAL HANG



Accessories Needed:

- (2) kiT Top Bars
- (2) kiT Coupling Links
- (2) 1/2" Shackles



DOUBLE CABINET HORIZONTAL HANG



Accessories Needed:

- (2) kiT Top Bars
- (2) kiT Coupling Links
- (2) 1/2" Shackles

INPUT CONNECTOR PANEL

2 MODES $\frac{A}{P}$

The kiT series is unique in its ability to switch from active to passive with little effort. The active mode's proprietary Clair Brothers Active Processing offers ultimate performance with time-aligned minimum phase crossover region behavior. The passive mode enables single-amplifier operation for a cost-effective solution.



Remove jumpers for active mode

ACTIVE/PASSIVE MODE INSTRUCTIONS*

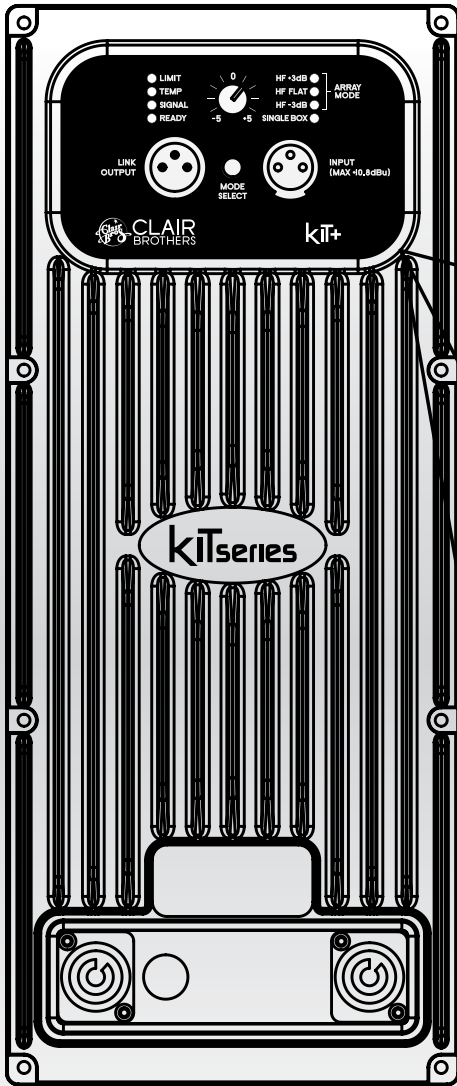


1. Remove terminal strip cover on rear of kiT12 speaker cabinet
2. Loosen all 4x terminal screws
3. Remove 2x jumpers (connecting Low- to Hi- AND Low+ to Hi+)
4. Save jumpers for future use
5. Replace wire cover

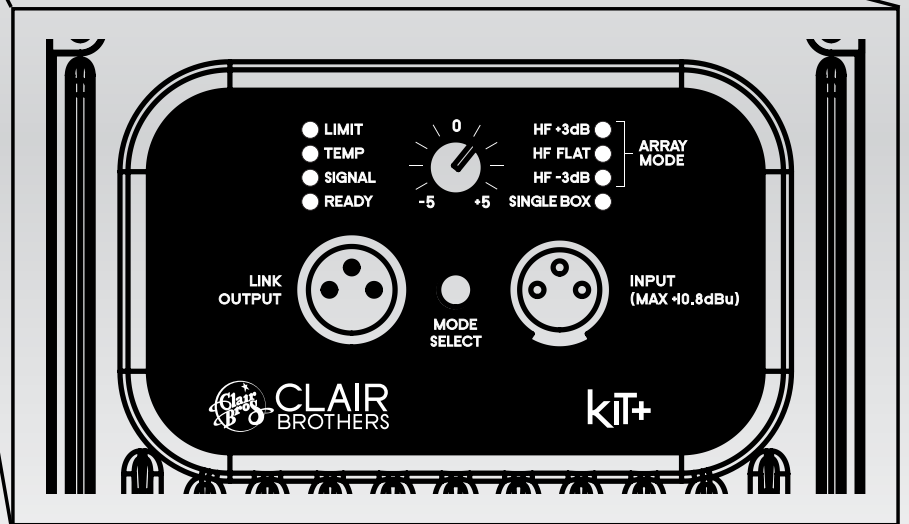
*All kiT Series speakers are shipped standard in passive mode

— kiT+ POWER AMP+DSP PANEL

The kiT+ Power Module is a two channel amplifier module representing an important evolution in the kiT Series family of products.



- Power Factor Corrected
- PowerCon 20 AC In/Thru (90-240VAC)
- XLR Inputs
- Onboard DSP with 4 factory modes of loudspeaker processing
- Thermal protections (power limiting - thermal shutdown)
- Short-circuit/overload/high frequency output protections
- Clip limiter, permanent signal limiter
- Temperature controlled internal fans and output
- Optional DSP boards
- Drop-in compatible upgrade to all non-powered kiT Series products



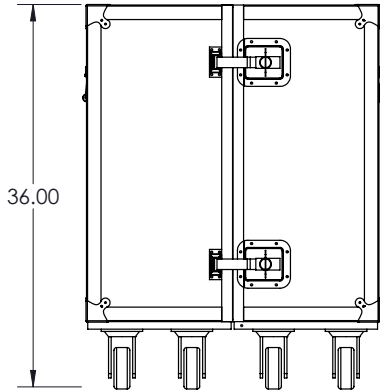
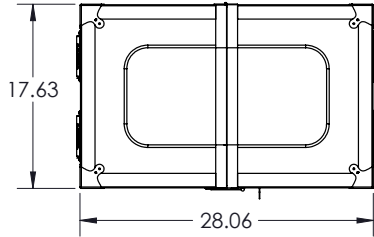
kiT12

ROAD CASE

Empty Weight: 79.0 lbs.

Loaded Weight: 145.0 lbs.

(2x kiT12 in Loaded Road Case)



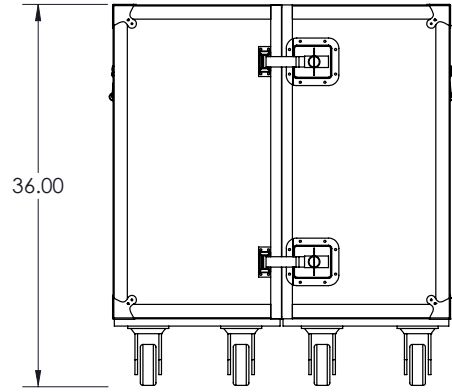
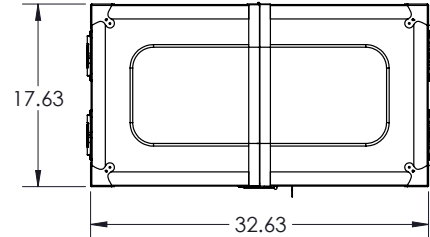
kiT15

ROAD CASE

Empty Weight: 86.0 lbs.

Loaded Weight: 162.0 lbs.

(2x kiT15 in Loaded Road Case)

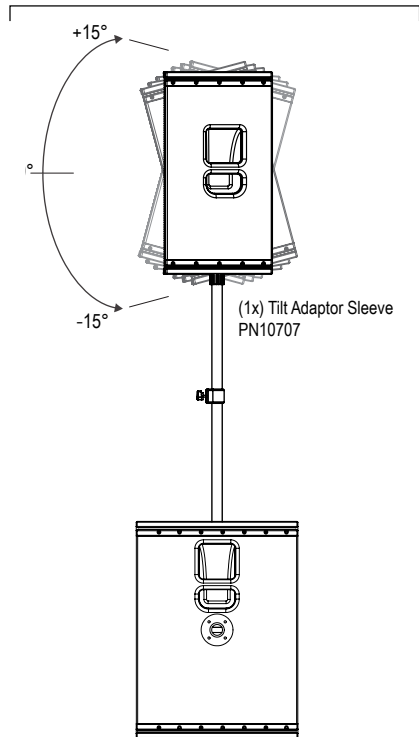


POLE MOUNT CONFIGURATIONS

kiT Series full range speakers seamlessly stack with kiT Series subwoofers to create a portable package.

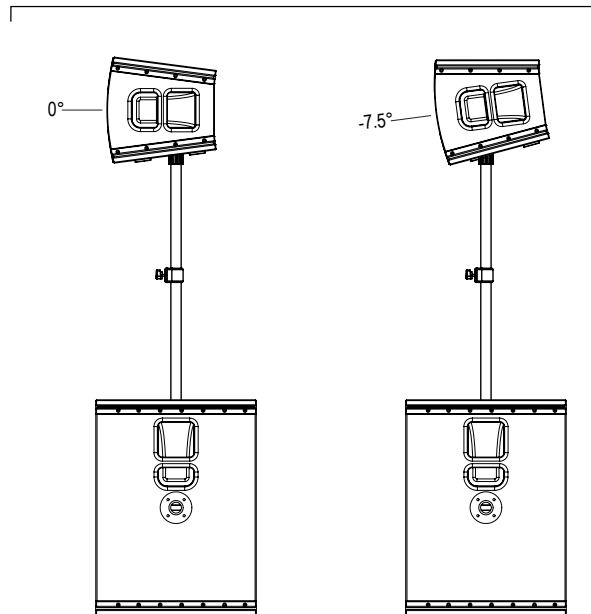
kiT12
kiT15

WITH TILT ADAPTOR SLEEVE



The kiT12 and kiT15 come standard with one 0° pole mount socket and have a variable tilt range of 0° to +/-15° with the use of (1x) Tilt Adaptor Sleeve (PN10707).

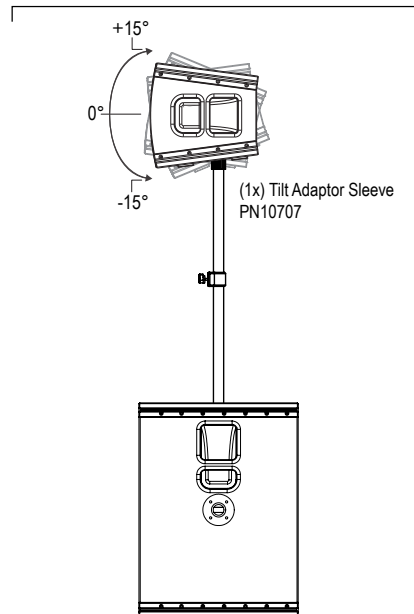
STANDARD CONFIGURATION



Rear Pole Mount Socket
(fixed angle 0°)

Front Pole Mount Socket
(fixed angle -7.5°)

WITH TILT ADAPTOR SLEEVE



Variable tilt range of 0° to +/-15° using accessory,
(1x) Tilt Adaptor Sleeve | PN10707

kiTCURVE
12+

The kiTCURVE has two pole mount sockets, 0° and -7.5° standard. The use of (1x) Tilt Adaptor Sleeve (PN10707) can be used to achieve a variable tilt range of 0° to +/-15°

STEREO SYSTEMS

WITH kiT+ AND kiT-SUB+
(Each speaker includes integrated amplifier)

kiT12+

[and]

kiT-Sub+

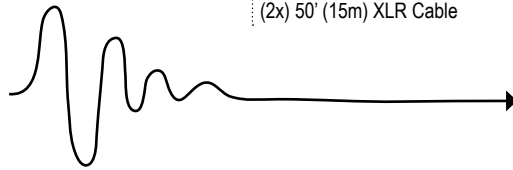


Basic Package

- (2x) kiT12+
- (2x) kiT-Sub+
- (2x) Adjustable Pole
- (4x) AC Mains Cables 10' (3m)

Extended Package

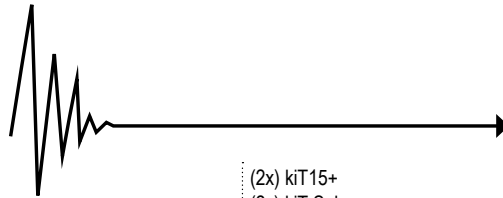
- (1x) RC-kiT12
- (2x) kiT-Sub Dolly
- (2x) 10' (3m) XLR Cable
- (2x) 50' (15m) XLR Cable



kiT15+

[and]

kiT-Sub+

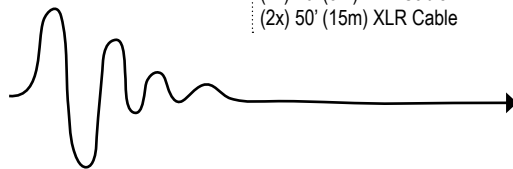


Basic Package

- (2x) kiT15+
- (2x) kiT-Sub+
- (2x) Adjustable Pole
- (4x) AC Mains Cables 10' (3m)

Extended Package

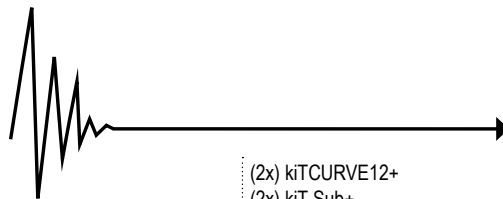
- (1x) RC-kiT15
- (2x) kiT-Sub Dolly
- (2x) 10' (3m) XLR Cable
- (2x) 50' (15m) XLR Cable



kiTCURVE₁₂₊

[and]

kiT-Sub+

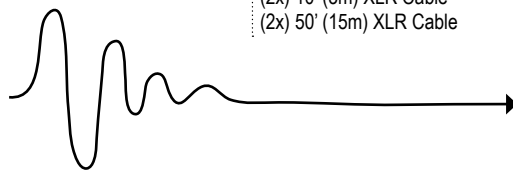


Basic Package

- (2x) kiTCURVE12+
- (2x) kiT-Sub+
- (2x) Adjustable Pole
- (4x) AC Mains Cables 10' (3m)

Extended Package

- (1x) RC-kiTCURVE12
- (2x) kiT-Sub Dolly
- (2x) 10' (3m) XLR Cable
- (2x) 50' (15m) XLR Cable



STEREO SYSTEMS

WITH kiT+ AND kiT-SUB-MINI+

(Each speaker includes integrated amplifier)

kiT12+

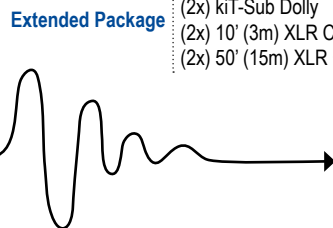
[and]

kiT-Sub-mini+



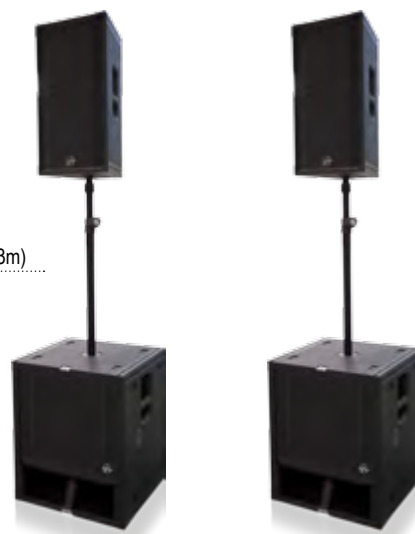
Basic Package

- (2x) kiT12+
- (2x) kiT-Sub-mini+
- (2x) Adjustable Pole
- (4x) AC Mains Cables 10' (3m)



Extended Package

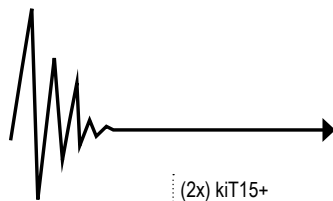
- (1x) RC-kiT12
- (2x) kiT-Sub Dolly
- (2x) 10' (3m) XLR Cable
- (2x) 50' (15m) XLR Cable



kiT15+

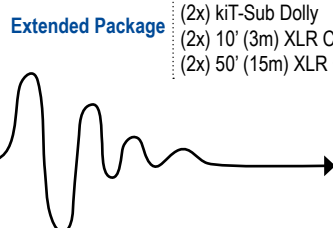
[and]

kiT-Sub-mini+



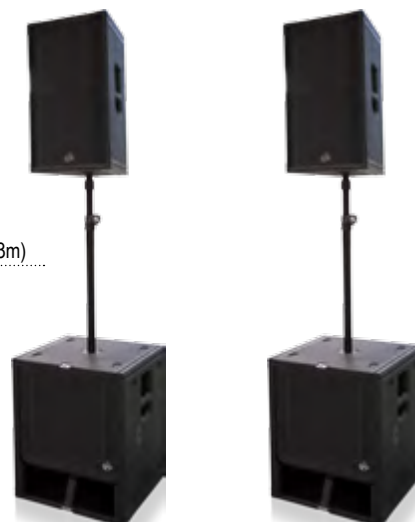
Basic Package

- (2x) kiT15+
- (2x) kiT-Sub-mini+
- (2x) Adjustable Pole
- (4x) AC Mains Cables 10' (3m)



Extended Package

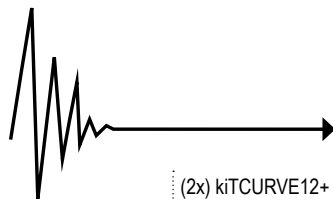
- (1x) RC-kiT15
- (2x) kiT-Sub Dolly
- (2x) 10' (3m) XLR Cable
- (2x) 50' (15m) XLR Cable



kiTCURVE₁₂₊

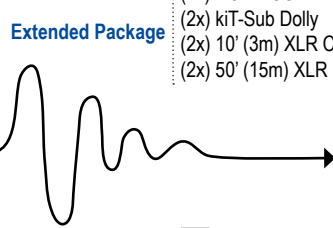
[and]

kiT-Sub-mini+



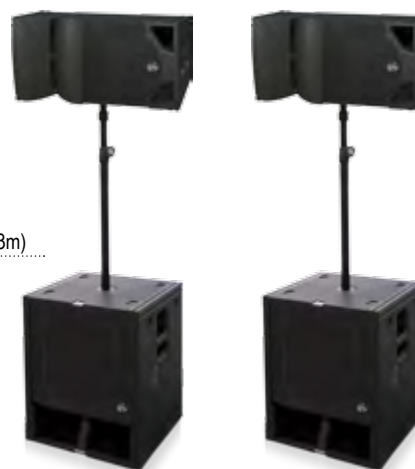
Basic Package

- (2x) kiTCURVE12+
- (2x) kiT-Sub-mini+
- (2x) Adjustable Pole
- (4x) AC Mains Cables 10' (3m)



Extended Package

- (1x) RC-kiTCURVE12
- (2x) kiT-Sub Dolly
- (2x) 10' (3m) XLR Cable
- (2x) 50' (15m) XLR Cable



STEREO SYSTEMS

WITH kiT AND kiT-SUB+

(Only subs include integrated amplifier with EPA output for driving non+ kiT speakers in passive mode)

kiT12

[and]

kiT-Sub+

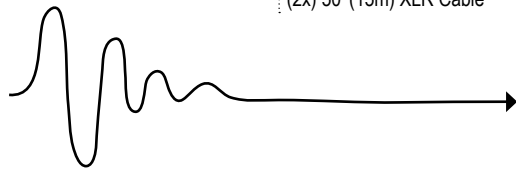


Starter Package

- (2x) kiT12
- (2x) kiT-Sub+
- (2x) Adjustable Pole
- (2x) 10' (3m) EPA
- (2x) AC Mains Cables 10' (3m)

Extended Package

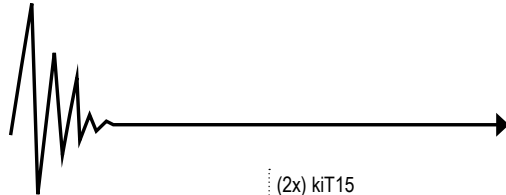
- (1x) RC-kiT12
- (2x) kiT-Sub Dolly
- (2x) 50' (15m) XLR Cable



kiT15

[and]

kiT-Sub+

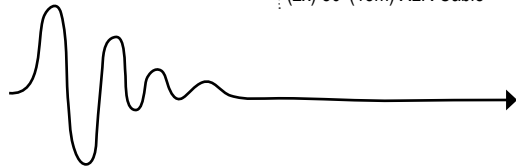


Starter Package

- (2x) kiT15
- (2x) kiT-Sub+
- (2x) Adjustable Pole
- (2x) 10' (3m) EPA
- (2x) AC Mains Cables 10' (3m)

Extended Package

- (1x) RC-kiT15
- (2x) kiT-Sub Dolly
- (2x) 50' (15m) XLR Cable



STEREO SYSTEMS

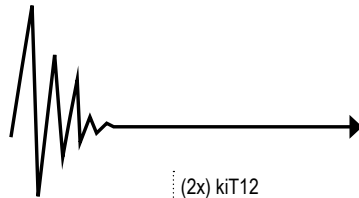
WITH kiT AND kiT-SUB-MINI+

(Only subs include integrated amplifier with EPA output for driving non+ kiT speakers in passive mode)

kiT12

[and]

kiT-Sub-mini+

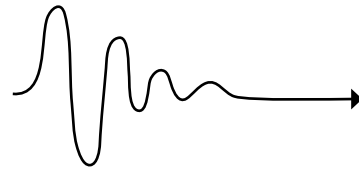


Starter Package

- (2x) kiT12
- (2x) kiT-Sub-mini+
- (2x) Adjustable Pole
- (2x) 10' (3m) EPA
- (2x) AC Mains Cables 10' (3m)

Extended Package

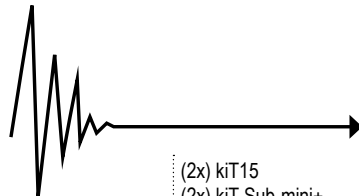
- (1x) RC-kiT12
- (2x) kiT-Sub Dolly
- (2x) 50' (15m) XLR Cable



kiT15

[and]

kiT-Sub-mini+

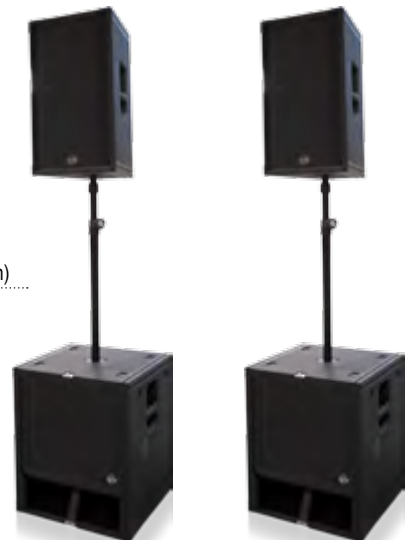
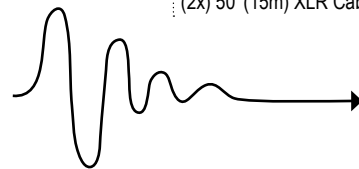


Starter Package

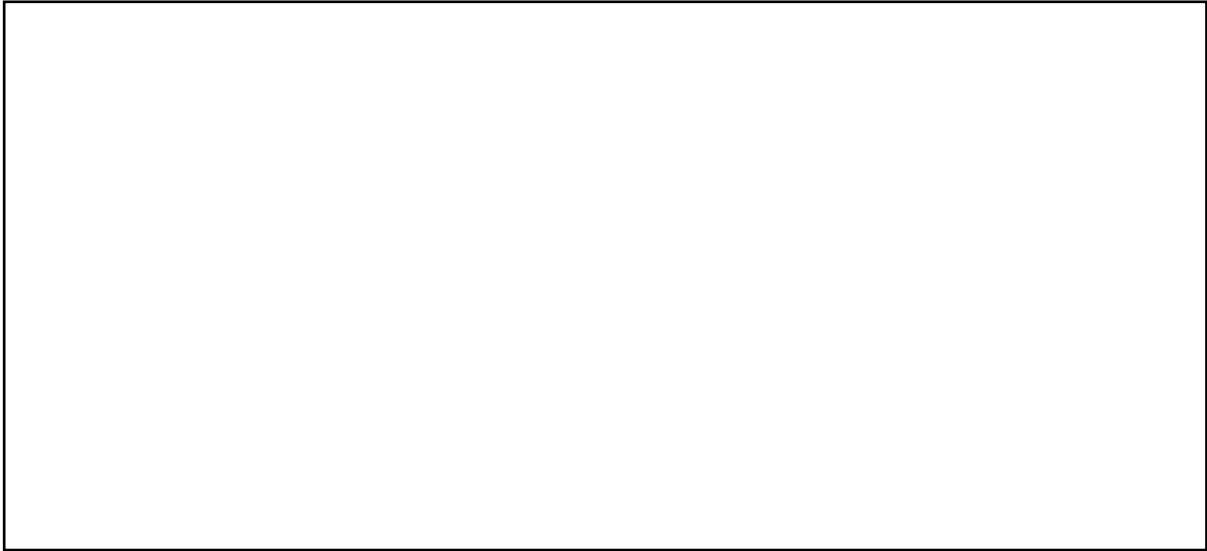
- (2x) kiT15
- (2x) kiT-Sub-mini+
- (2x) Adjustable Pole
- (2x) 10' (3m) EPA
- (2x) AC Mains Cables 10' (3m)

Extended Package

- (1x) RC-kiT15
- (2x) kiT-Sub Dolly
- (2x) 50' (15m) XLR Cable



DISTRIBUTED BY



**CLAIR
BROTHERS**

www.clairbrothers.com

One Clair Boulevard, Manheim, PA 17545

717.665.4000